

Key Features

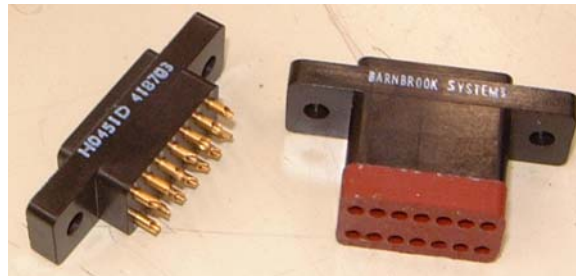
Relay Sockets are available for the majority of relays as shown below

Socket for LF Relay Part Number – 19775

NSN 5935-99-624-0295



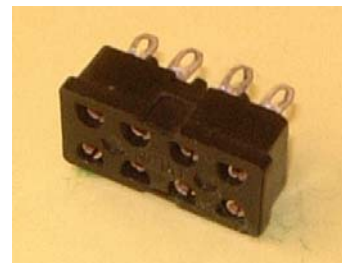
Socket for HDD4 Part Number – 418538 (Non Environmental) 418665 (With Cable Support) 418703 (Solder Contacts)



Socket for CECC16101-038 F, HDD1, HDS5 & HDS8, Part Number – 420204 (Crimp Contacts) 4223-1 (Solder Contacts)

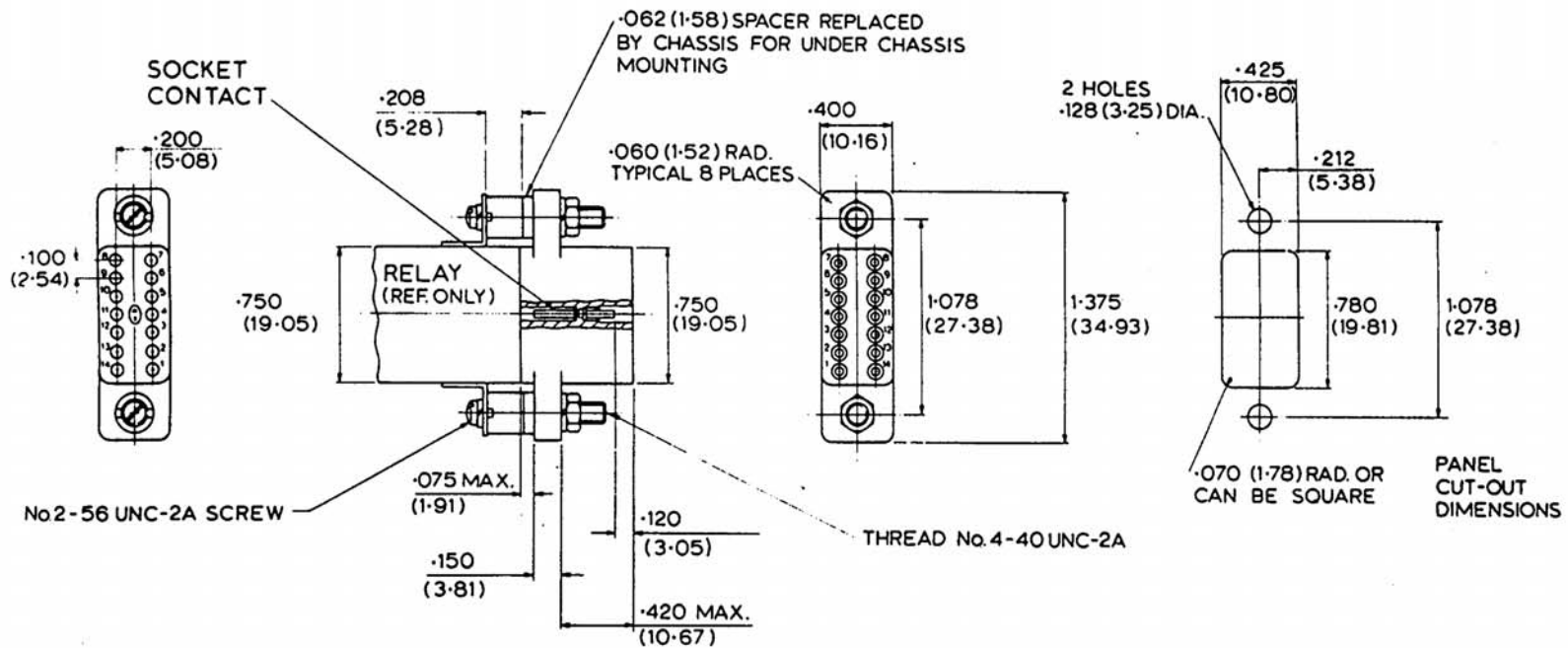


Socket for RL Relay Part Number - 9005 (Solder Bucket)



Data Sheet No
DSSKTS-0105

SHEET 1 OF 1

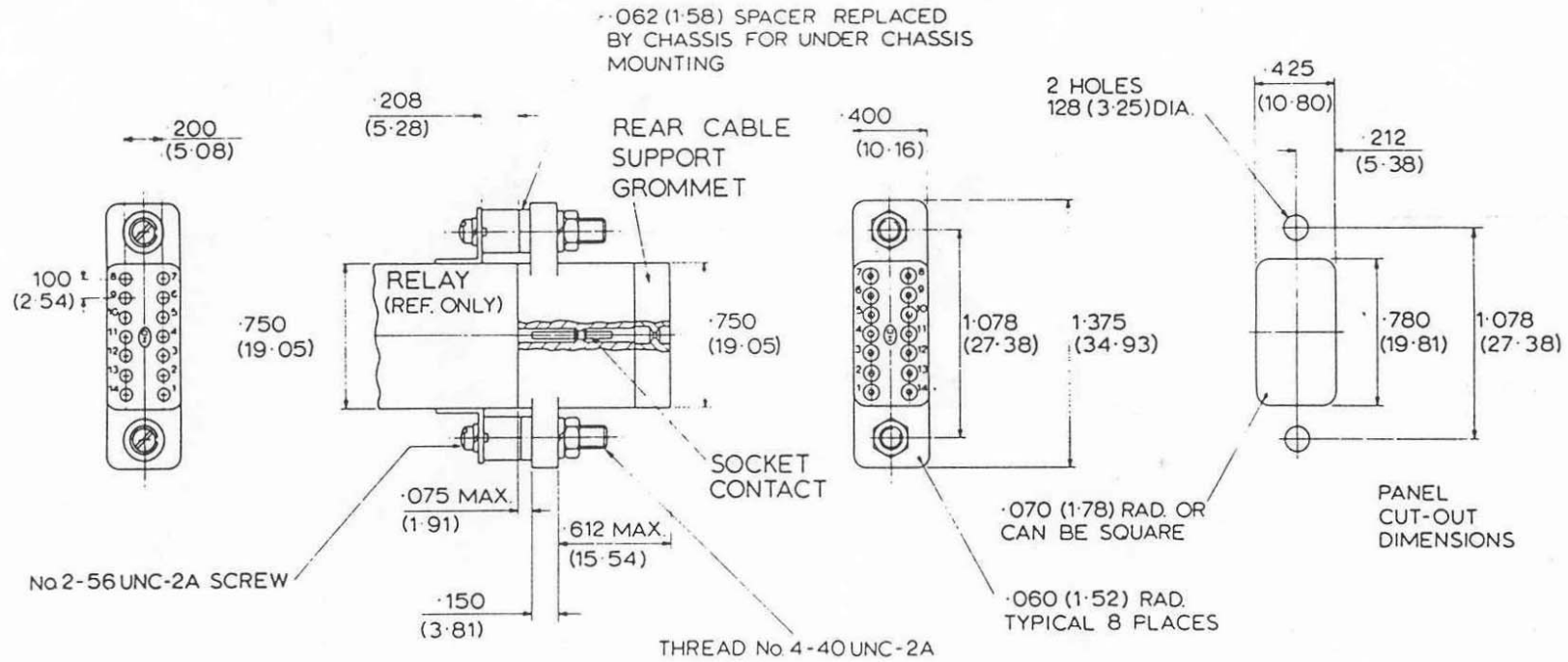


Material: Glass-filled phenolic

CONTACT PART NUMBER	418540
INSERTION TOOL	M15513-22A
REMOVAL TOOL	M15515-22P/S
CRIMPING TOOL	MH800
LOCATOR STOP	K5

- NOTES:
1. SOCKET SUPPLIED COMPLETE WITH QTY. 14 CONTACTS AND SET OF MOUNTING HARDWARE.
 2. CONTACTS SUITABLE FOR SIZE 22/24 WIRE (19,006 OR 7,0076).
 3. WIRE MAXIMUM OVERALL DIAMETER MUST NOT EXCEED .054 IN. (1.3 MM.).

14 WAY RELAY SOCKET
 Part Number : 418538
 Catalogue Number HD 296



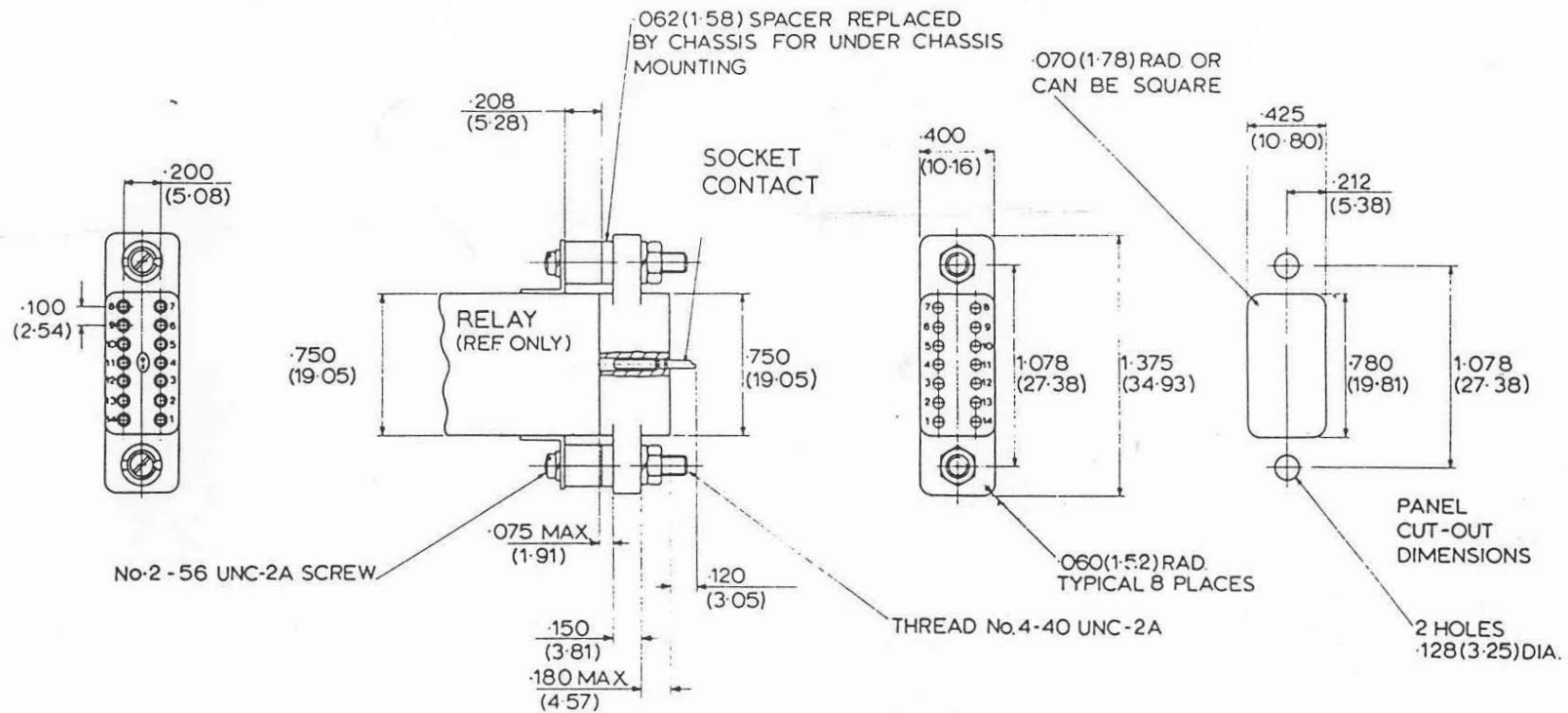
CONTACT PART NUMBER	418540
INSERTION TOOL	M15513-22A
REMOVAL TOOL	M15515-22P/S
CRIMPING TOOL	M800
LOCATOR STOP	K5

3. WIRE MAXIMUM OVERALL DIAMETER MUST NOT EXCEED .054 IN. (1.3 MM.).

2. CONTACTS SUITABLE FOR SIZE 22/24 WIRE (19/.006 OR 7/.0076)

NOTES: 1. SOCKET SUPPLIED COMPLETE WITH QTY. 14 CONTACTS AND SET OF MOUNTING HARDWARE.

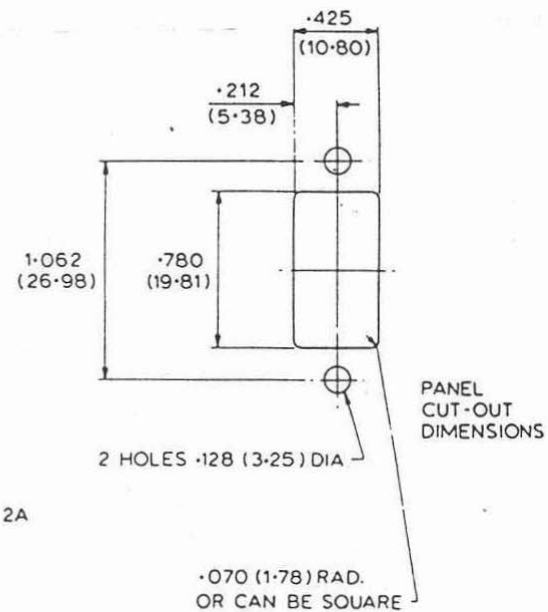
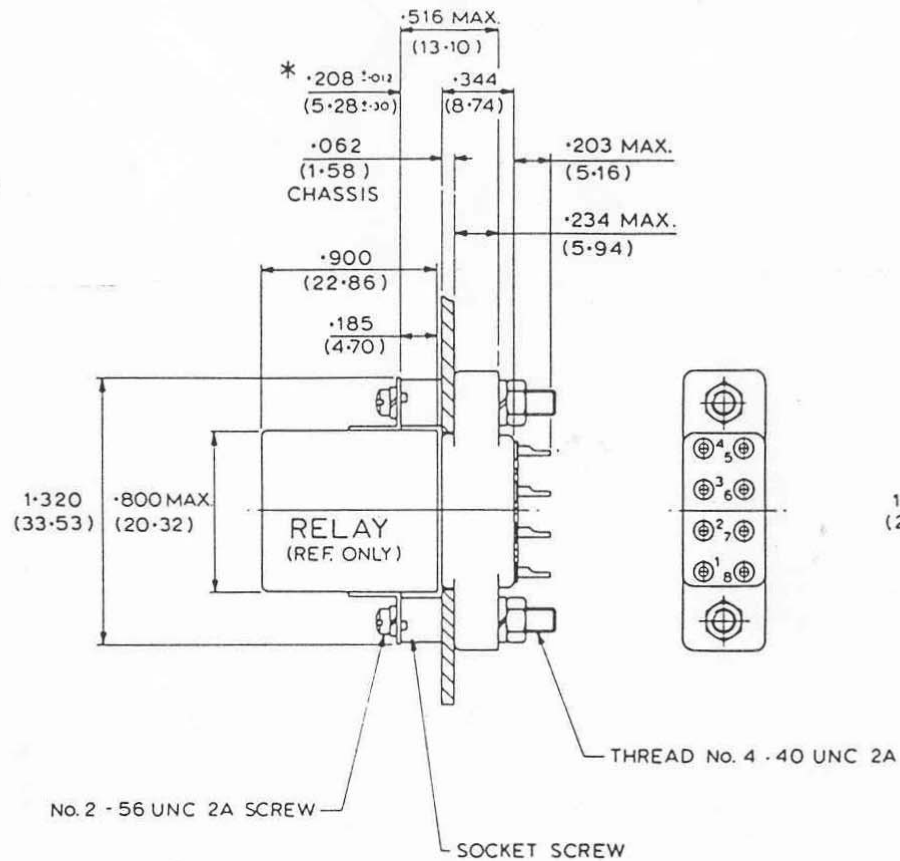
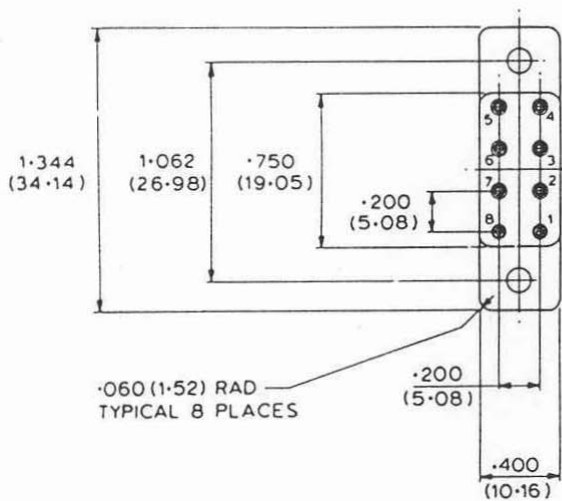
MATERIAL Socket body, glass-filled phenolic. Grommet, fluorinated silicone rubber.	Catalogue No HD296	14 WAY RELAY SOCKET (CRIMPED CONTACTS WITH REAR GROMMET)	AERCO: +44 (0)1403 260206
	Date 9.69		



NOTES: 1. SOCKET SUPPLIED COMPLETE WITH SET OF MOUNTING HARDWARE.
 2. CONTACTS SUITABLE FOR SIZE 22/24 WIRE (19/.006 OR 7/.0076).

MATERIAL Glass-filled phenolic.	Catalogue No HD296	14 WAY RELAY SOCKET (SOLDERED CONTACTS)	AERCO: +44 (0)1403 260206
	Date 9.69		

* WHEN CHASSIS IS MOUNTED AT REAR .062 (1.58) SPACER MUST BE USED TO MAINTAIN .208 (5.28) DIMENSION.



NOTES: 1. SOCKET SUPPLIED COMPLETE WITH SET OF MOUNTING HARDWARE.

MATERIAL Diallyl phthalate	Catalogue No HD296	8 WAY RELAY SOCKET (SOLDERED CONTACTS)	AERCO: +44 (0)1403 260206
	Date 9.69		
			4223-1