

**Y22293 / 63mA FUSELINKS**

These encapsulated fuselinks are designed for direct mounting into printed circuit boards and are available as H.R.C. ceramic types. The H.R.C. ceramic fuselinks are covered in an encapsulation resin and protected in an enclosed case. The fuselinks protect against high prospective overload currents and are therefore suited for application in hazardous environments.

**BREAKING CAPACITY**

4000A at 0.4 power factor and 250V a.c. or 230V d.c. (Time constant 0.004s).

**MINIMUM LIFE:**

1,000 hours continuous rated current at temperatures of up to 35°C. 1000 hours continuous at 80% of rated current at temperatures beyond 35°C up to 85°C.

**TEMPERATURE RANGE:**

-60°C to +85°C (ambient)

**CURRENT RATINGS:**

63mA

**MATERIALS: BODY:**

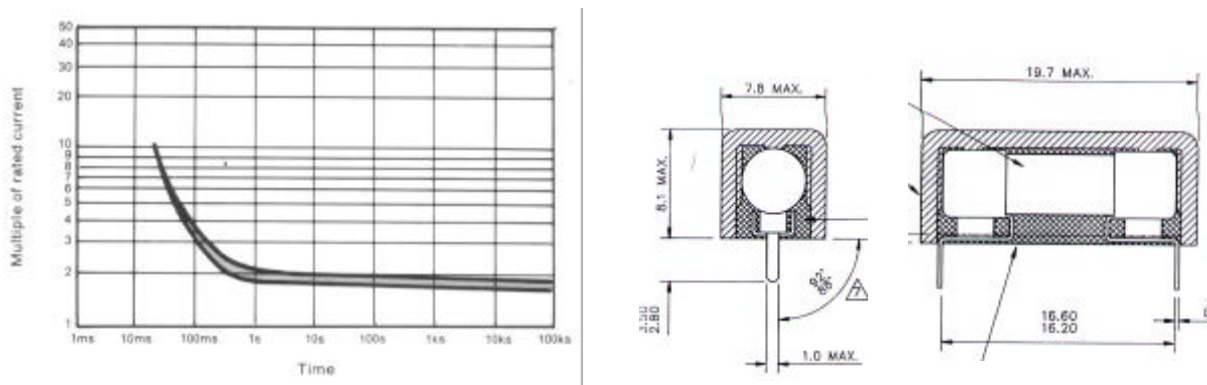
Ceramic

**CONTACTS:**

Brass, tin plated

**ENCLOSURE:**

Black flame retardant nylon

**ORDERING REFERENCE: Y22293 / 63mA**

Dialight BLP reserve the right to change without prior notice the information contained within this leaflet

Dialight BLP Ltd., Exning Road, Newmarket, Suffolk, CB8 0AX, England  
Tel: +44 (0)1638 665161 Fax: +44 (0)1638 660718 email: sales@blpcomp.com <http://www.blpcomp.com>

A subsidiary of Dialight plc