

Miniature Circular Connectors for Future Combat Soldier

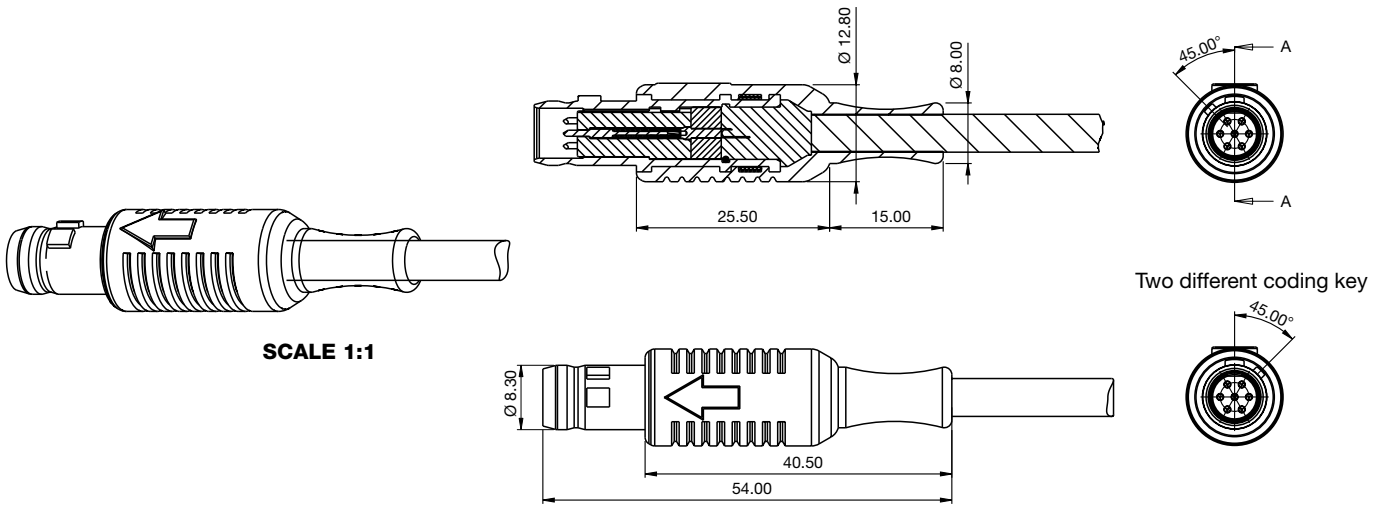


- HyperSpring® spring loaded contacts, self cleaning wiping action
- 7, 13, 19 ways
- Combine robust environmental performance with compact size and light weight
- Easy and fast snap on locking mechanism
- Full line EMI shielding
- IP67 sealing when mated and unmated
- Different hardware coding to avoid mismatching
- Overmolding solutions
- Upgrade commercial high speed Fast Ethernet, USB, IEEE 1394 interconnect to Mil Spec performances
- High-reliability commercial and military interconnect applications: Tactical Computers, Field Radios, Dismounted Soldier, Weapon Interconnect, Battery Chargers, Missiles, Helmet Breakaway System, Commercial Airframe Sensors, Autosport Diagnostics

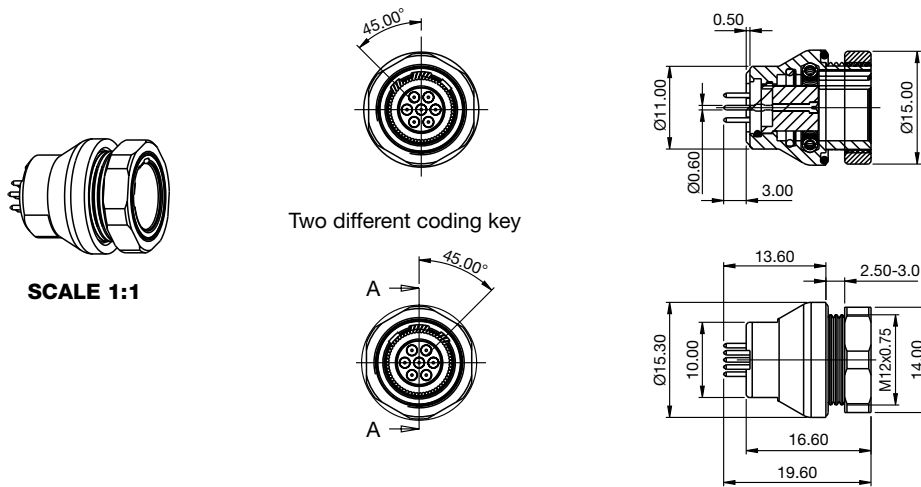
Technical Characteristics

General	Vibration	MIL-STD-1344 method 2004 condition III
Hyperspring Contact Number	7,13,19	
Receptacle Contact Termination	Solder Cup, Straight PCB	
Plug Contact Termination	Solder Cup	
Cable Diameter Range	Max 6 mm (7) Max 7.5 mm (13) Max 8.5 mm (19)	
AWG Contact	28-24	
Connector Mating Cycles	2000	
Connector Mating Force	Max 3 Kg	
Connector Unmating Force	Max 4 Kg	
	Shock	MIL-STD-1344 method 2004
	Weight (Plug+Receptacle -with contacts -without cabling)	9 g (7) 14 g (13) 16 g (19)
	Materials and Plating	
	Housing - Material - Plating	Aluminium Alloy ZnCo conductive RoHS compliant
	Overmolding (Plug)	Santoprene
	Contact - Material - Plating	Brass, CuBe Gold
Electrical and mechanical characteristics	Environmental Characteristics	
EMI Shielding	Yes	
Current Rating	3A@25°C	
Test Voltage (dc) Contact	300 V	Temperature Range
Dielectric Withstanding Voltage (between contact)	400 V	Salt Spray
Contact Resistance (low level)	< 15 mOhm	MIL-STD-1344 method 1001 test condition A
Insulation Resistance	5000 MOhm @ 500V d.c. (MIL-STD-1344 method 3003)	Humidity
		MIL-STD-1344 method 1002 type II
		IP Level
		67 mated and unmated

7 Ways plug connector ref. 23168

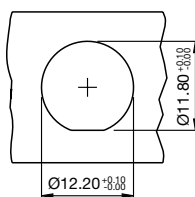


7 Ways receptacle connector straight termination ref. 23167



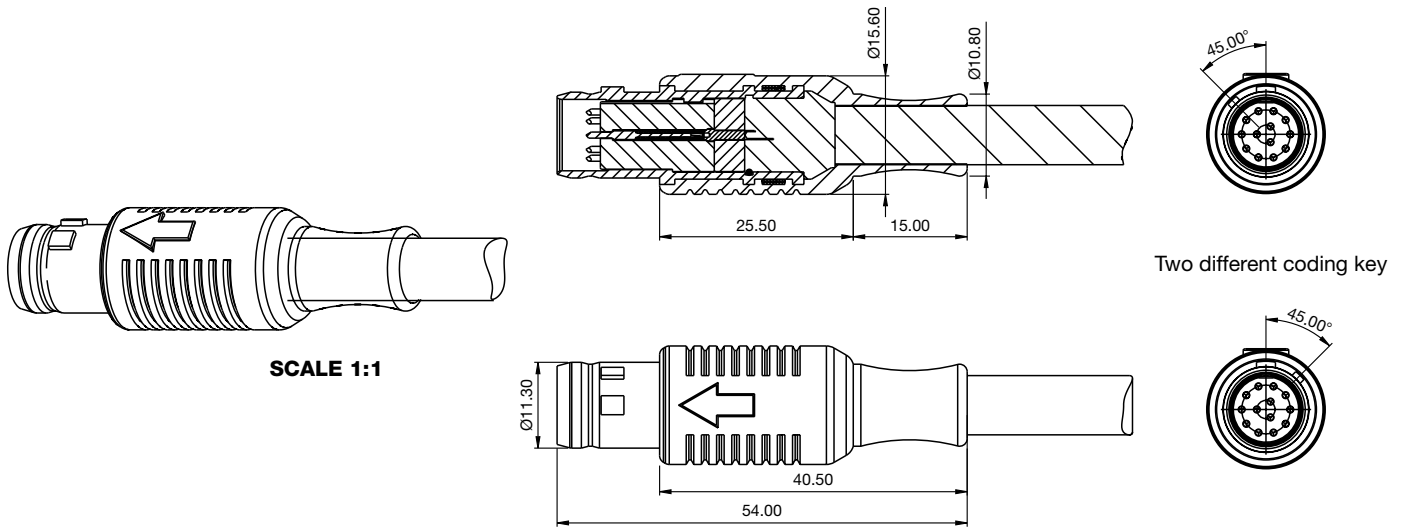
7 Ways extension connector available - contact factory

Panel cut out
Panel thickness max 3 mm

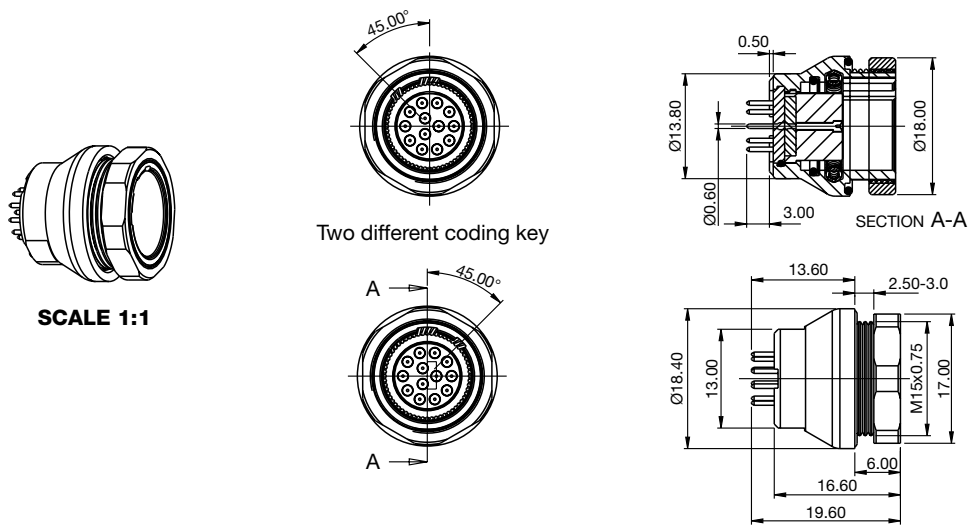


Dimensions are in mm

13 Ways plug connector ref. 23178

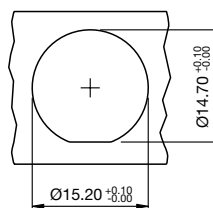


13 Ways receptacle connector straight termination ref. 23177



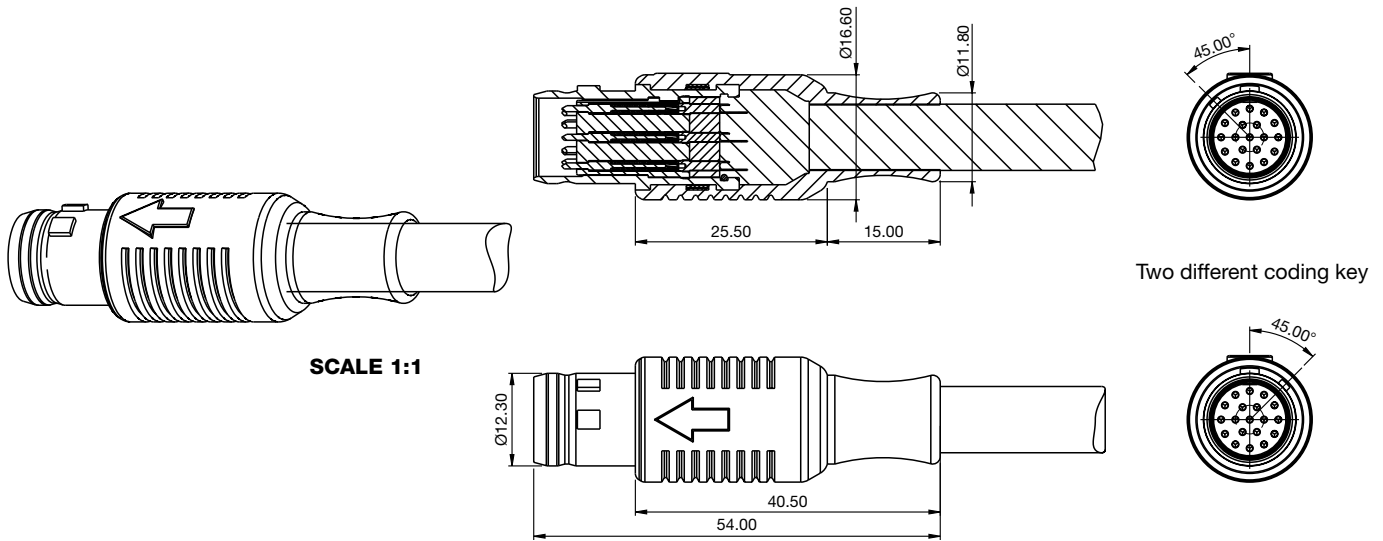
13 Ways extension connector available - contact factory

Panel cut out
Panel thickness max 3 mm

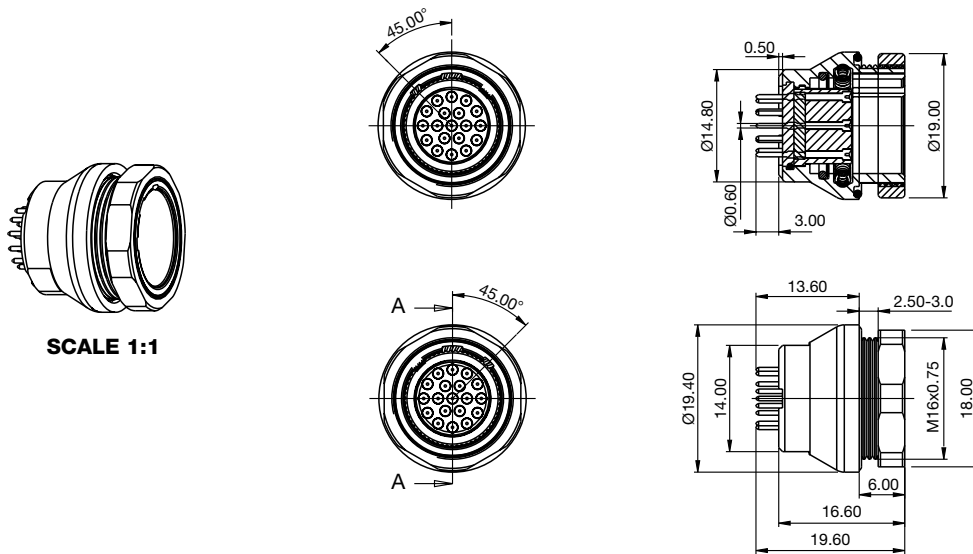


Dimensions are in mm

19 Ways plug connector ref. 23292



19 Ways receptacle connector straight termination ref. 23294



19 Ways extension connector available - contact factory

Panel cut out
Panel thickness max 3 mm

