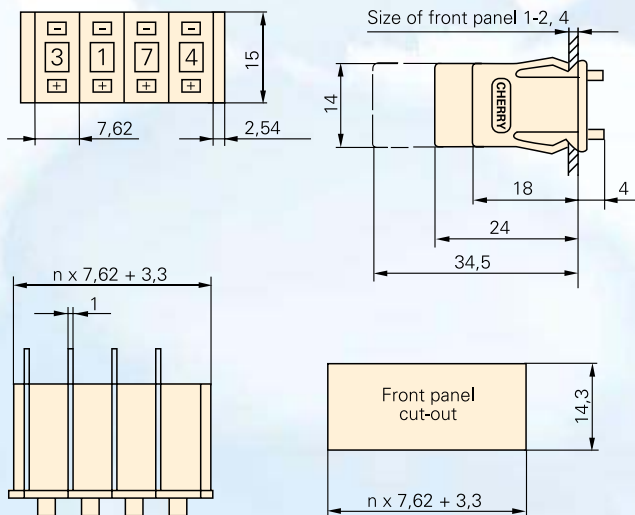


# Series PA

## Features

- Selector switches with very small dimensions for front-mounting
- 10 or 16 switching positions.  
Housing black
- Extended PCB for mounting of additional components available.
- Connection with Q.C. terminal

## Dimensions in mm



Switching position	Window cutout	Number height
10	B = 3,6 H = 4	3
16	B = 3,6 H = 2,5	1,8

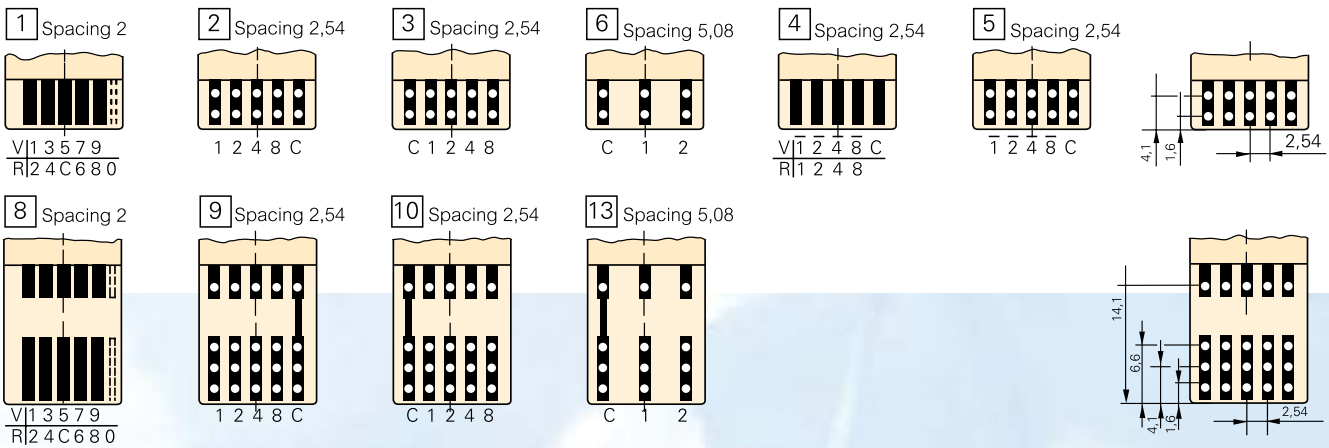


## Technical specifications

Operating force	ca 300 cN (with tactile feeling)
Contact resistance	0,1 Ω max.
Insulating resistance	10 <sup>3</sup> M Ω
Dielectric strength	500 V~
Electrical rating (ohmic resistance)	0,1 A / 50 V≈
Max. current	0,5 A (not switchable)
Temperature	-20 to +80 °C
Life cycle (mechanical)	10 <sup>6</sup> operations
Shock	50g, 11 ms
Vibration	15g, 10–2.000 Hz
Weight	ca. 2g
Materials	
Housing material	PPO (Noryl)
Contacts	High-quality gold alloy
Printed circuit board	G 10 (FR 4), optical fibre-reinforced circuit board, copper-plated; Au over Ni
Mounting	Front-mounting, snap-in endcaps. Mounting of units through integrated pins.
Stops	setting through factory only
Terminal	Q.C. terminal gold-plated

For detailed information and the layout of the details described above, please do not hesitate to ask for our technical specifications and drawing.

## PCB terminals



## Codes (2)

Switching position	Code	Readout	Truth table-no. (refer to description)	PCB terminal	PCB terminal, short	PCB terminal, extended	Code
10	Decimal	0–9	2	1/8	•	•	A
10	BCD	0–9	1	2/9	•	•	C
10	BCD Complement	0–9	11	5	•		E
10	BCD + Complement	0–9	8	4	•		F
10	Single pole repeating	+/- abw.	4	6/13	•	•	P
16	Hexadecimal	0–15	5	3/10	•	•	G
16	Hexadecimal	0–9, A–F	5	3/10	•	•	H

## Terminals (3)

Terminals	Code
Q.C. terminal	A

## PCB versions (4)

PCB versions	Code
short	3
extended	4

## Accessories

	Stock codes
Endcap left	609 - 0801
Endcap right	609 - 0799
Housing, 7,62 mm	609 - 0797
Spacer, 2,54 mm	609 - 0803