



Custom Discrete Signal and Power Contacts

- Contacts from 1 Amp up to 500 Amps
- 0.4mm up to 16.5mm pins with mating skts
- Up to 100,000 mating cycles
- Contact resistance from 0.04 to 8 milliohms
- Ideal for test, burn-in and high power use

Y Series Technical Index

Contact Dia.	0.40mm	0.45mm	0.60mm	0.76mm	1.02mm	1.50mm	2.50mm	3.50mm	4.30mm	6.12mm	12.70mm	16.50mm
Contact Styles	M = Male & F = Female											
Crimp	M/F	M/F	M/F		M/F	M	M/F		M	M/F		
Solder Bucket	M/F		M/F		M/F	M/F	M/F	M/F	M			
Straight TBS	M/F	M/F	M/F	M/F	M	M/F						
Open Both Ends	F	F		F	F		F					
Closed End		F		F	F	F	F					
Threaded Stud						F		M/F	M/F	M/F	M/F	M/F
Press Fit							F	F	F	F		
90° Block								M/F				
Contact m	< 8	< 8	< 5	< 5	< 2.5	< 2.5	< 0.8	< 0.5	< 0.37	< 0.25	< 0.08	< 0.04
Current Rating	1A	2.5A	4A	5A	8A	10A	15A	25A, 40A & 50A	100A	200A	350A	500A
Extraction Force grams unless stated otherwise.	8.5 - 45	14 - 45	8.5 - 57	14 - 91	28 - 111	34 - 142	170 - 709	198 - 907	425-2551	2268-4536	4.1 - 9.1 Kilos	9.1 - 16.8 Kilos
Contact Life	Up to 100,000 Mating Cycles											
Materials	Beryllium Copper Wires and Brass Body											
Plating Reference	G = 0.25 µm		Gold on mating surfaces.									
	H = 1.27 µm		Gold.									
	AH = 1.27 µm		Gold on mating surface and gold flash on socket body only.									
	GT = 0.25 µm		Gold on mating surface and tin lead on socket body only.									
	HT = 1.27 µm		Gold on mating surface and tin lead on socket body only.									
	ABH = 1.27 µm		Gold on mating surface and tin lead on tail. All other surfaces are gold flash									
	ALT = 0.76 µm		Gold on mating surface and tin on tail. All other surfaces are gold flash.									
	L = 6.35 µm		Gold									
	<i>Suffix at the end of the part number denotes plating.</i>											

Ø 0.40 mm contacts

Plating Reference:

Male Pins: G = 0.25 µm Gold on mating surfaces.
H = 1.27 µm Gold.

Female Sockets: AH = 1.27 µm Gold on mating surface and gold flash on socket body only.

Materials:

Beryllium copper wires and brass body

Plating: Gold over nickel

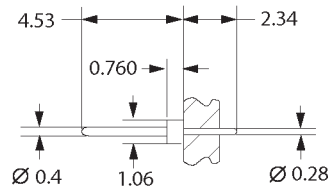
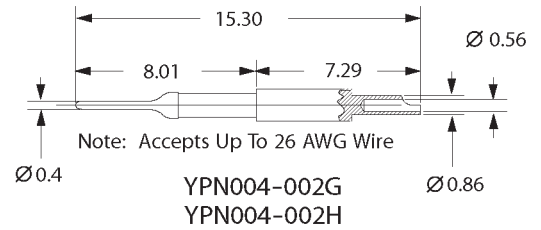
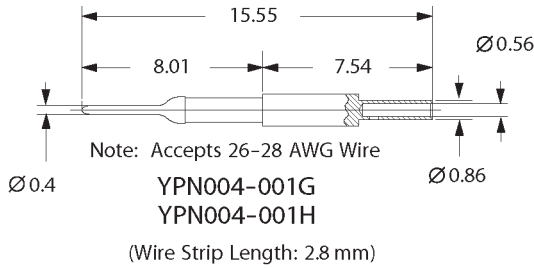
Resistance: < 8 mΩ

Current Rating: 1 Amp

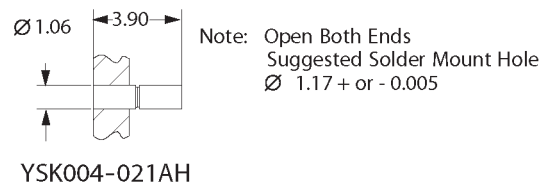
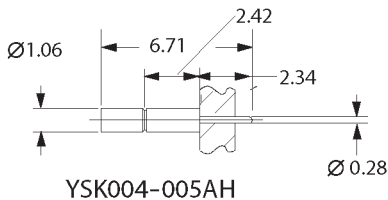
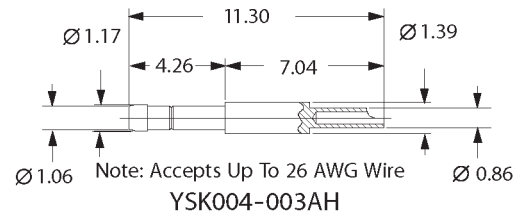
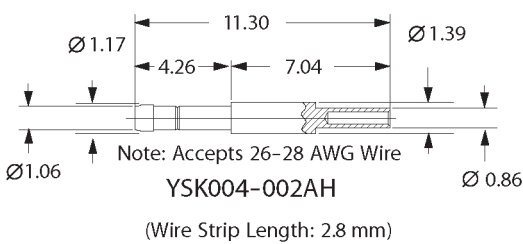
Extraction Force: 8.5 - 45 gr.

Contact Life: Up to 100,000 mating cycles

MALE CONTACTS (PINS)



FEMALE CONTACTS (SOCKETS)



Ø 0.45 mm contacts

Plating Reference:

Male Pins:

G = 0.25 µm Gold on mating surfaces.

H = 1.27 µm Gold.

Female Sockets:

AH = 1.27 µm Gold on mating surface and gold flash on socket body only.

HT = 1.27 µm Gold on mating surface and tin lead on socket body only.

ALT = 0.76 µm Gold on mating surface and tin on tail. All other surfaces are gold flash.

Materials:

Plating:

Resistance:

Current Rating:

Extraction Force:

Contact Life:

Beryllium copper wires and brass body

Gold over nickel

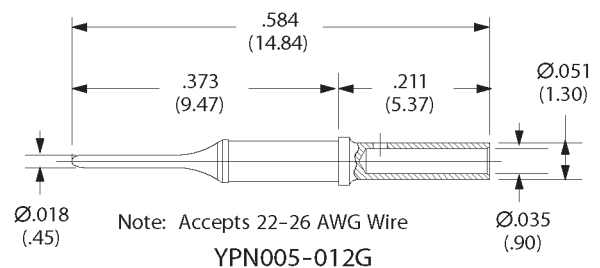
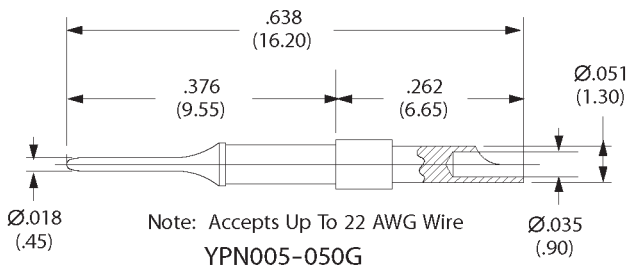
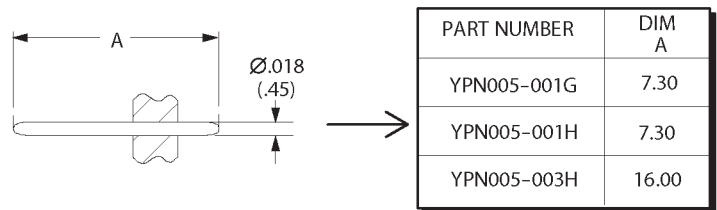
< 8 mΩ

2.5 Amps

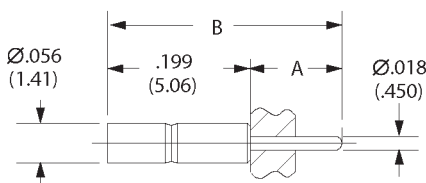
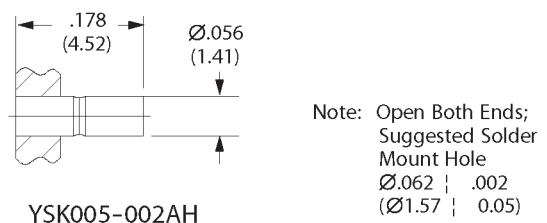
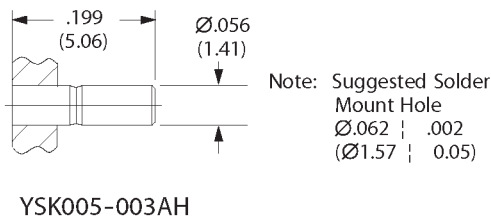
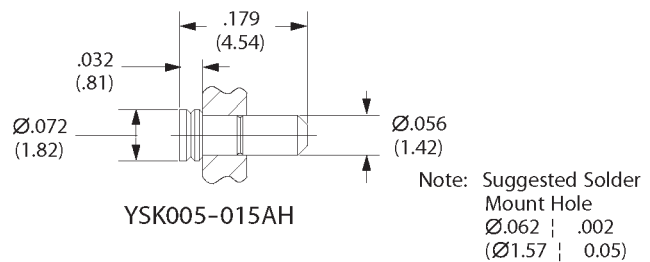
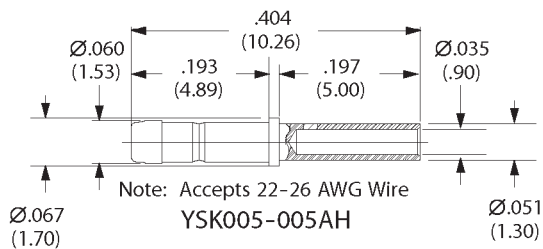
14 - 45 gr.

Up to 100, 000 mating cycles

MALE CONTACTS (PINS)



FEMALE CONTACTS (SOCKETS)



PART NUMBER	DIM A	DIM B
YSK005-004AH	.128 (3.25)	.327 (8.31)
YSK005-008AH	.307 (7.80)	.506 (12.86)

Dimensions are in mm

Ø 0.60 mm contacts

Plating Reference:

Male Pins:

G = 0.25 µm Gold on mating surfaces.

H = 1.27 µm Gold.

Female Sockets:

AH = 1.27 µm Gold on mating surface and gold flash on socket body only.

Materials:

Plating:

Resistance:

Current Rating:

Extraction Force:

Contact Life:

Beryllium copper wires and brass body

Gold over nickel

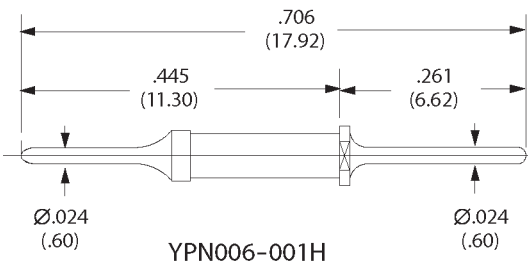
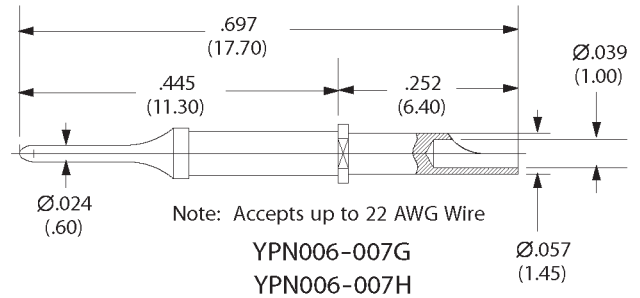
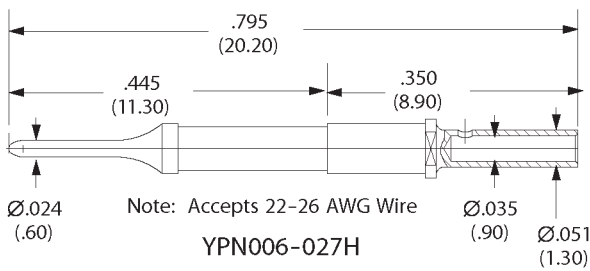
< 5 mΩ

4 Amps

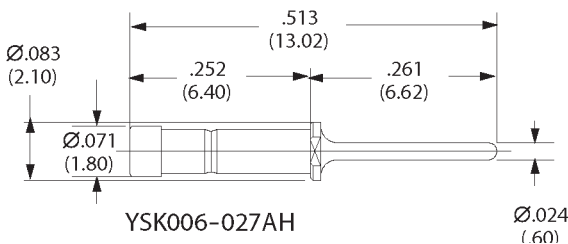
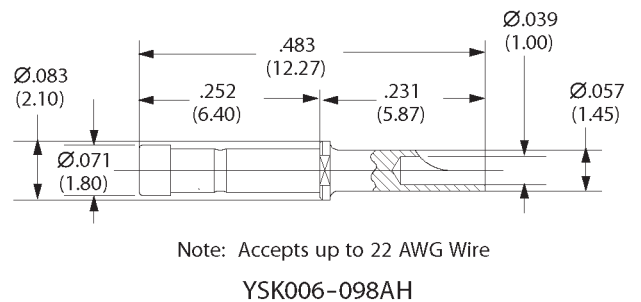
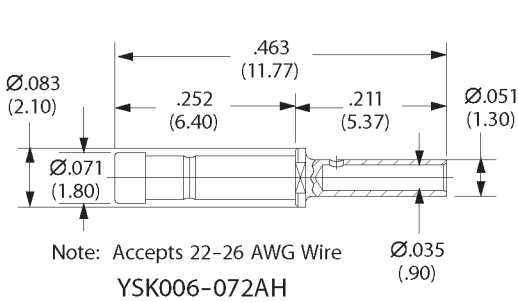
14 - 91 gr.

Up to 100, 000 mating cycles

MALE CONTACTS (PINS)



FEMALE CONTACTS (SOCKETS)



Dimensions are in mm

Ø 0.76 mm contacts

Plating Reference:

Male Pins:

G = 0.25 µm Gold on mating surfaces.

H = 1.27 µm Gold.

Female Sockets:

AH = 1.27 µm Gold on mating surface and gold flash on socket body only.

Materials:

Plating:

Resistance:

Current Rating:

Extraction Force:

Contact Life:

Beryllium copper wires and brass body

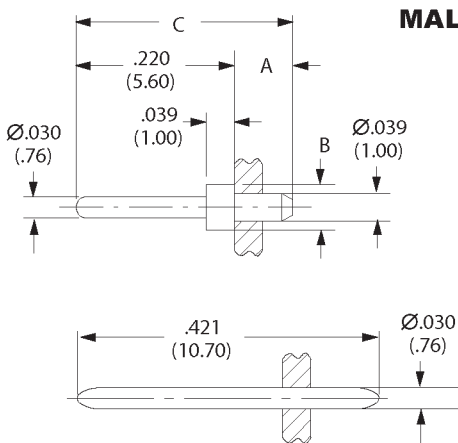
Gold over nickel

< 5 mΩ

5 Amps

14 - 91 gr.

Up to 100,000 mating cycles

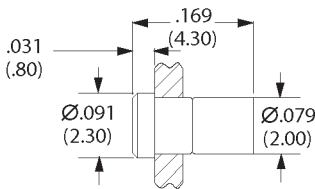


MALE CONTACTS (PINS)

YPN0076-001H

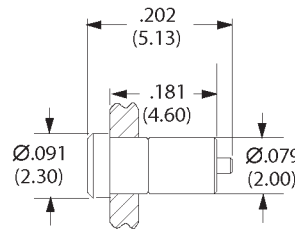
PART NUMBER	DIM A	DIM B	DIM C
YPN0076-004H	3.69	Ø 1.58	9.28
YPN0076-005H	3.81	Ø 2.05	9.40
HSP030M2G HSP030M2H	2.08	Ø 1.60	7.68
HSP030M3G	2.80	Ø 2.05	8.40

FEMALE CONTACTS (SOCKETS)



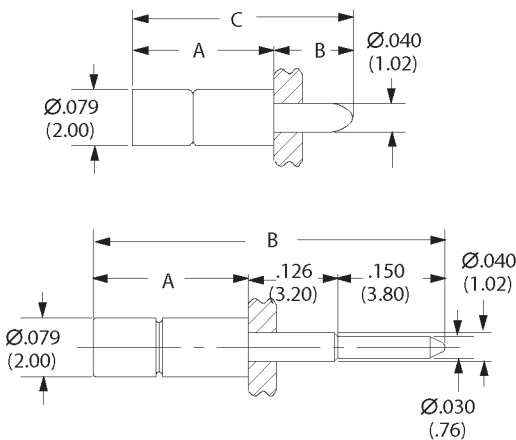
YSK0076-021AH

Note: Suggested Solder Mount Hole
Ø.084 | .002
(Ø2.13 | 0.05)



YSK0076-014AH

Note: Suggested Solder Mount Hole
Ø.084 | .002
(Ø2.13 | 0.05)



PART NUMBER	DIM A	DIM B	DIM C
YSK0076-011AH YSK0076-011GT	.199 (5.05)	.110 (2.80)	.309 (7.85)
YSK0076-012GT	.199 (5.05)	.187 (4.75)	.386 (9.80)
YSK0076-040AH YSK0076-040GT	.207 (5.27)	.135 (3.43)	.343 (8.70)

PART NUMBER	DIM A	DIM B
YSK0076-026AH	.209 (5.30)	.484 (12.30)
YSK0076-068AH	.217 (5.50)	.492 (12.50)

Dimensions inches (mm)

Ø 1.02 mm contacts

Plating Reference:

Male Pins:

G = 0.25 µm Gold on mating surfaces.

H = 1.27 µm Gold.

Female Sockets:

AH = 1.27 µm Gold on mating surface and gold flash on socket body only.

Materials:

Plating:

Resistance:

Current Rating:

Extraction Force:

Contact Life:

Beryllium copper wires and brass body

Gold over nickel

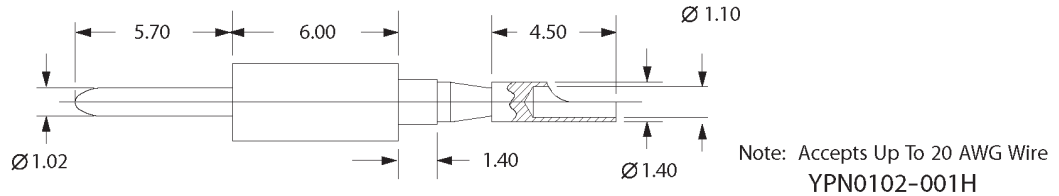
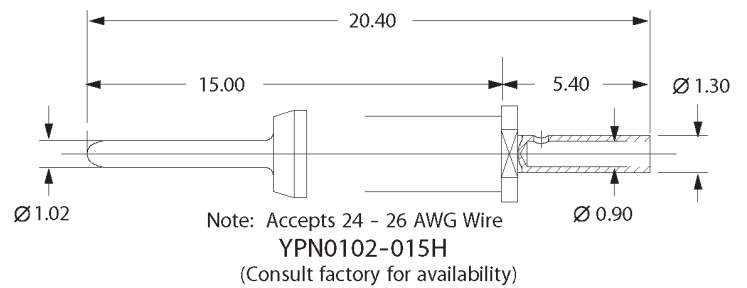
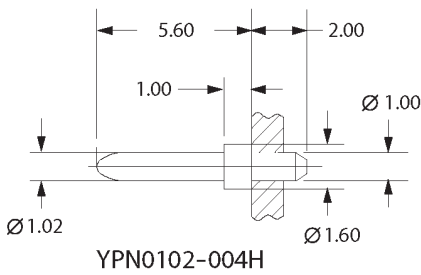
< 2.5 mΩ

7.5 Amps

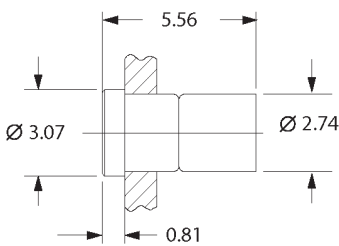
28 - 111 gr.

Up to 100, 000 mating cycles

MALE CONTACTS (PINS)

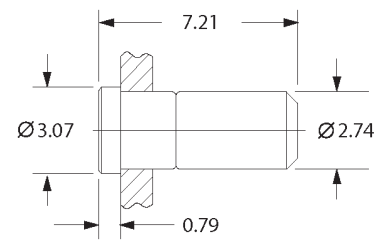
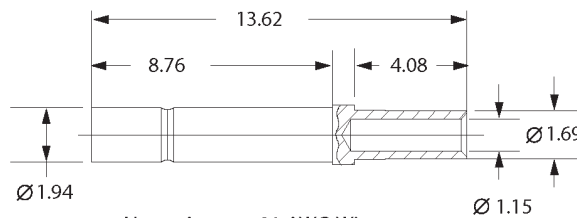


FEMALE CONTACTS (SOCKETS)



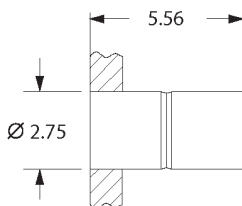
Note: Open Both Ends; Suggested Solder Mount Hole

Ø2.86 + or - 0.05



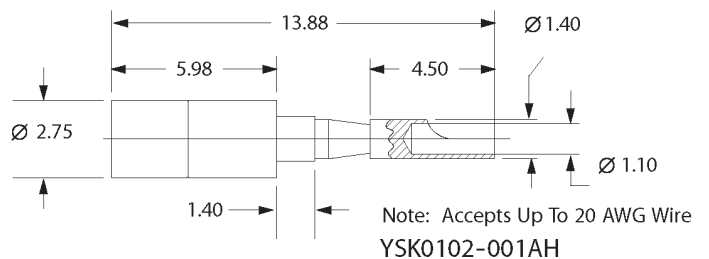
Note: Suggested Solder Mount Hole

Ø2.86 + or - 0.05



Note: Open Both Ends; Suggested Solder Mount Hole

YSK0102-011AH Ø2.86 + or - 0.05



Ø 1.5 mm contacts

Plating Reference:

Male Pins:

G = 0.25 µm Gold on mating surfaces.

H = 1.27 µm Gold.

Female Sockets:

AH = 1.27 µm Gold on mating surface and gold flash on socket body only.

Materials:

Plating:

Resistance:

Current Rating:

Extraction Force:

Contact Life:

Beryllium copper wires and brass body

Gold over nickel

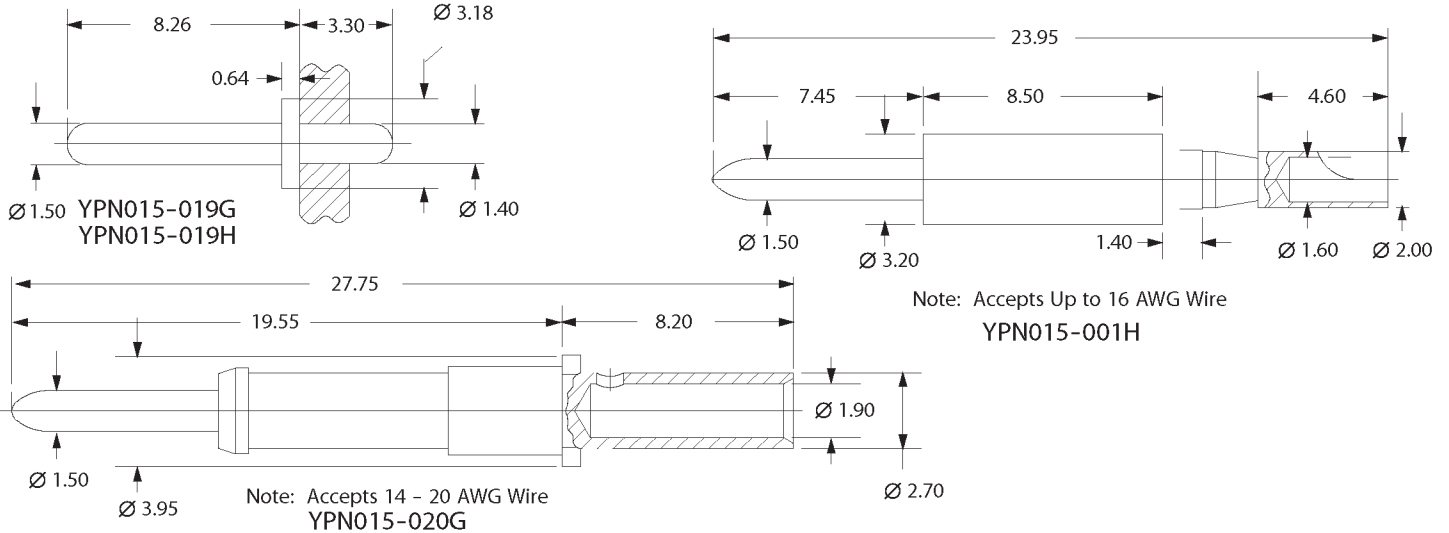
< 2.5 mΩ

8-10 Amps

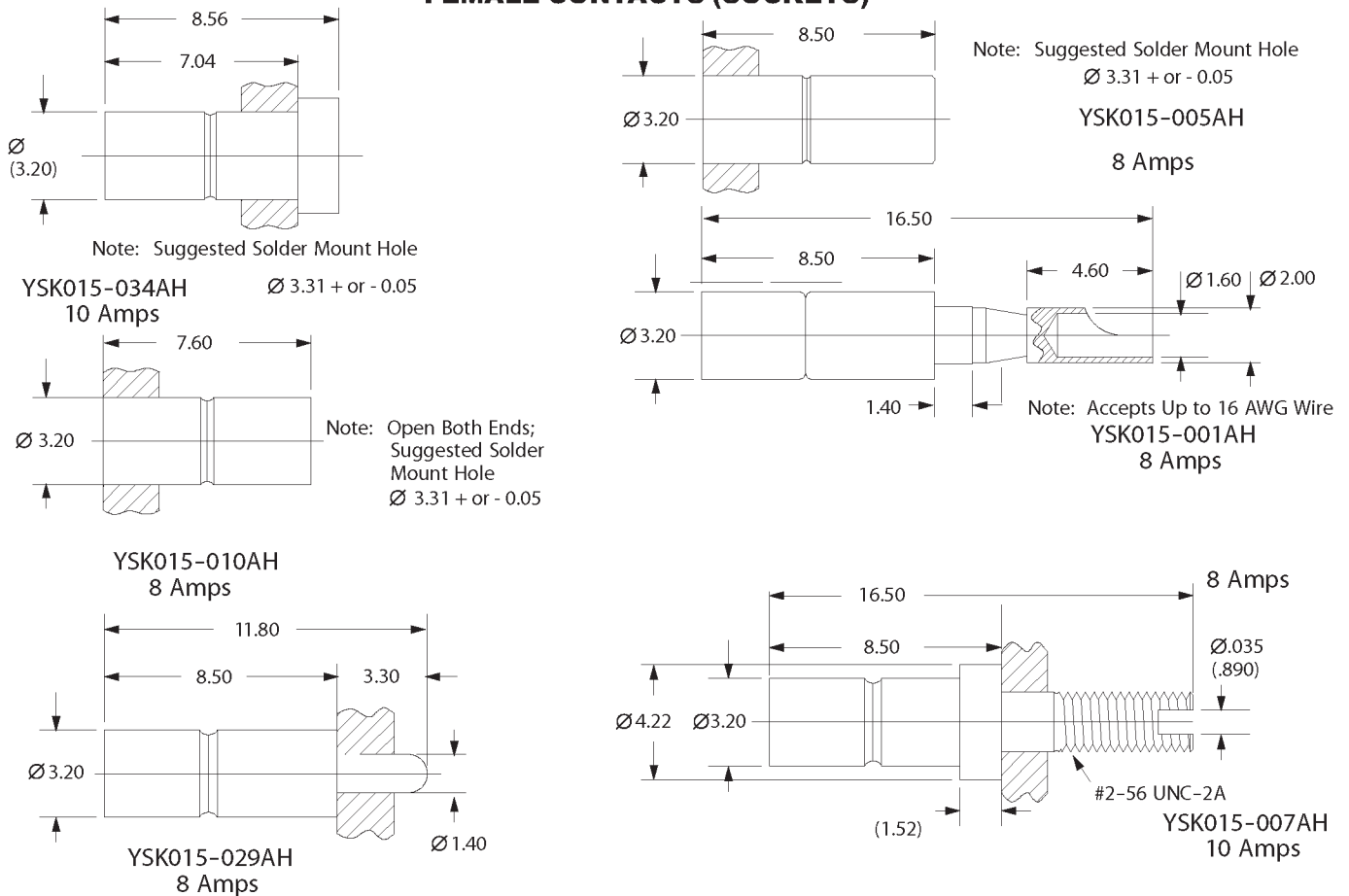
34 - 142 gr.

Up to 100, 000 mating cycles

MALE CONTACTS (PINS)



FEMALE CONTACTS (SOCKETS)



Dimensions inches (mm)

Ø 2.5 mm contacts

Plating Reference:

Male Pins:

G = 0.25 µm Gold on mating surfaces.

H = 1.27 µm Gold.

Female Sockets:

AH = 1.27 µm Gold on mating surface and gold flash on socket body only.

Materials:

Plating:

Resistance:

Current Rating:

Extraction Force:

Contact Life:

Beryllium copper wires and brass body

Gold over nickel

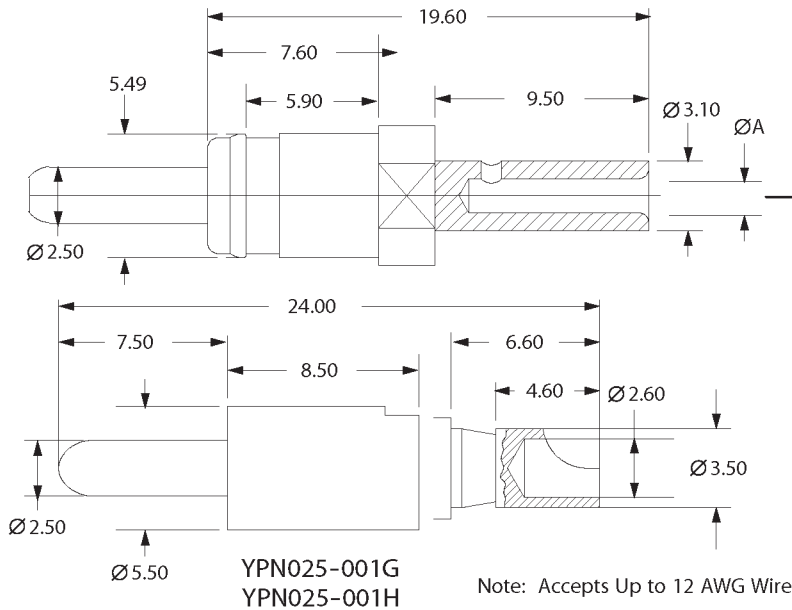
< 0.8 mΩ

15 Amps

171 - 709 gr.

Up to 100, 000 mating cycles

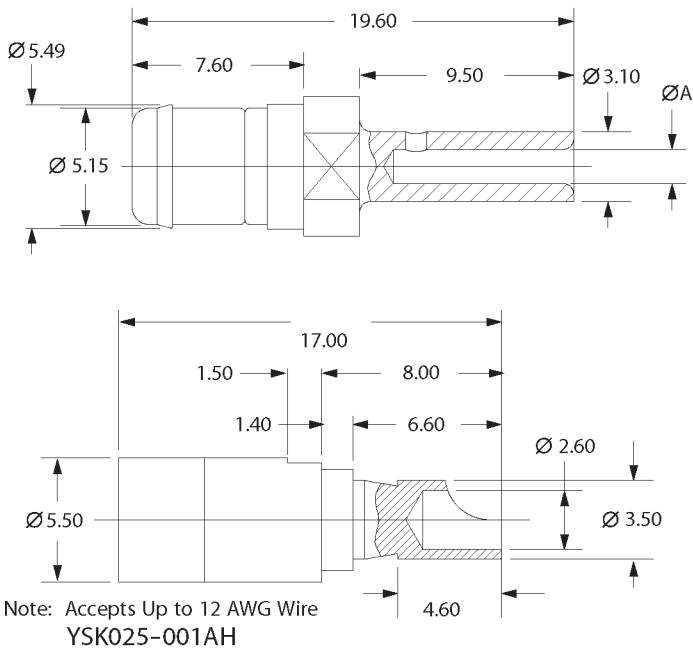
MALE CONTACTS (PINS)



PART NUMBER	DIM A	WIRE SIZE
YPN025-002G	Ø.059 (1.50)	18 - 22 AWG
YPN025-002H	Ø.059 (1.50)	18 - 22 AWG
YPN025-003G	Ø.076 (1.95)	13 - 14 AWG
YPN025-003H	Ø.076 (1.95)	13 - 14 AWG

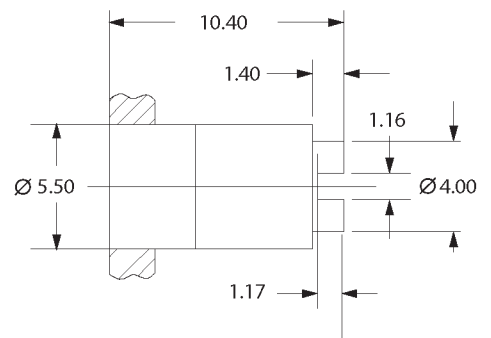
CRIMP TOOL: M300BT
POSITIONER: SP611

FEMALE CONTACTS (SOCKETS)



PART NUMBER	DIM A	WIRE SIZE
YSK025-003AH	Ø.059 (1.50)	18 - 22 AWG
YSK025-004H	Ø.074 (1.87)	13 - 14 AWG

CRIMP TOOL: M300BT
POSITIONER: SP611



Note: Suggested Solder Mount Hole
Ø 5.60 + or - 0.05

YSK025-002AH

Dimensions are in mm

Ø 3.5 mm contacts

Plating Reference:

Male Pins:

G = 0.25 µm Gold on mating surfaces.

Female Sockets:

AH = 1.27 µm Gold on mating surface and gold flash on socket body only.

Materials:

Plating:

Resistance:

Current Rating:

Extraction Force:

Contact Life:

Beryllium copper wires and brass body

Gold over nickel

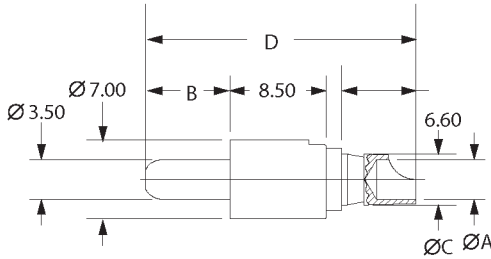
< 0.5 mΩ

25, 40 & 50 Amps

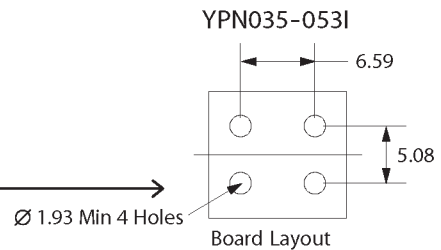
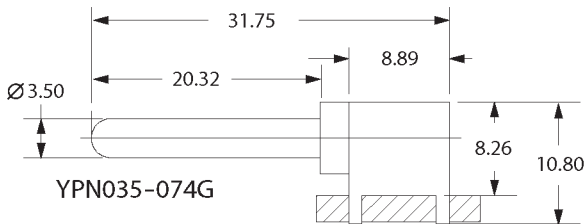
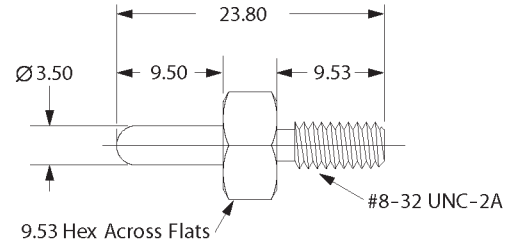
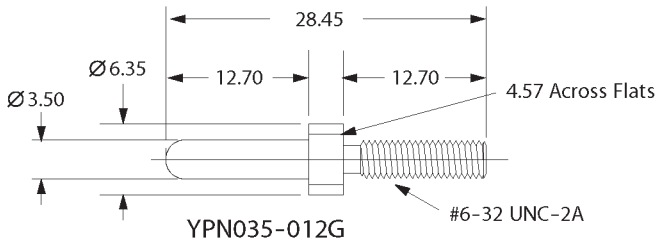
198 - 907 gr.

Up to 100, 000 mating cycles

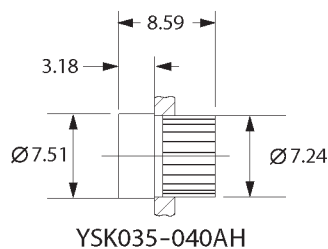
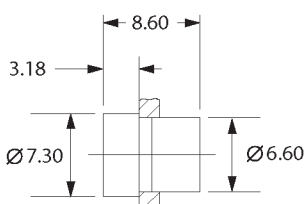
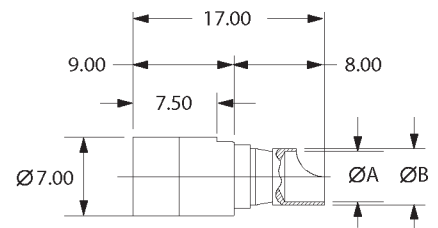
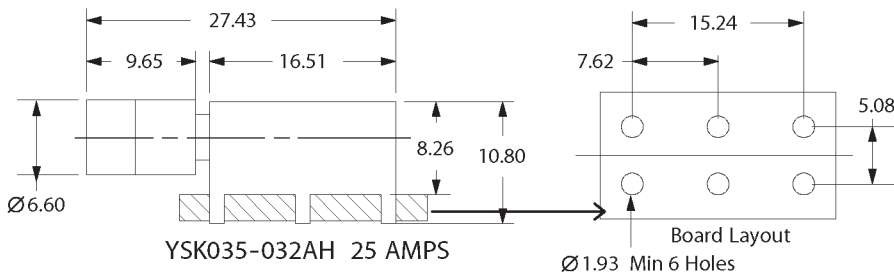
MALE CONTACTS (PINS)



Part Number	Dim A	Dim B	Dim C	Dim D	Wire Size	Current Rating
YPN035-001H	3.50	7.50	4.50	24.0	10 AWG	25 Amps
YPN035-024H	4.50	9.50	4.90	4.90	8 AWG	50 Amps



FEMALE CONTACTS (SOCKETS)



Part Number	Dim A	Dim B	Wire Size	Current Rating
YPN035-001AH	3.50	4.50	10 AWG	25 Amps
YPN035-006AH	3.50	4.50	10 AWG	40 Amps
YPN035-027AH	4.50	4.90	8 AWG	50 Amps

Note: Suggested Solder Mount Hole
Ø6.70 + or - 0.05
YSK035-004AH 25 AMPS

Dimensions are in mm

Ø 4.3 mm contacts

Plating Reference:

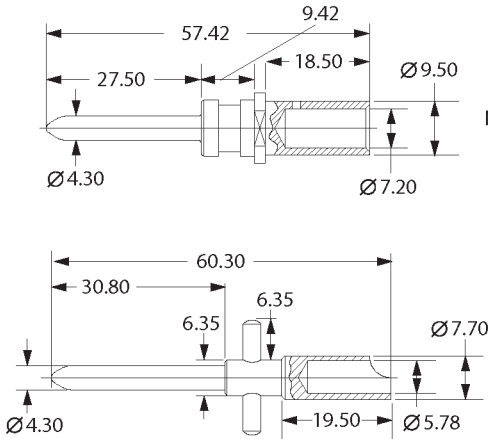
Male Pins:
G = 0.25 µm Gold on mating surfaces.

Female Sockets:
AH = 1.27 µm Gold on mating surface and gold flash on socket body only.

Materials:
Plating:
Resistance:
Current Rating:
Extraction Force:
Contact Life:

Beryllium copper wires and brass body
Gold over nickel
< 0.37 mΩ
100 Amps
425 - 2551 gr.
Up to 100, 000 mating cycles

MALE CONTACTS (PINS)

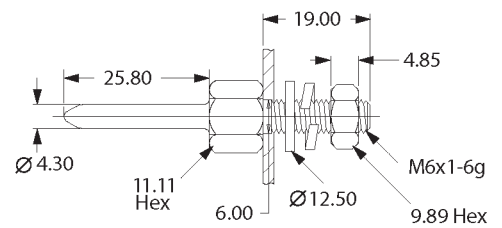


Note: Accepts 4 AWG Wire
YPN043-016RG

Note: Accepts Up To 5 AWG Wire
Mates Only With YSK043-008AH

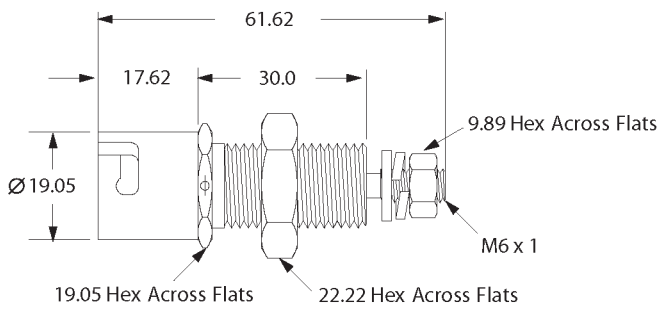
YPN043-009H

(Consult Hypertac Ltd Sales Office for availability)

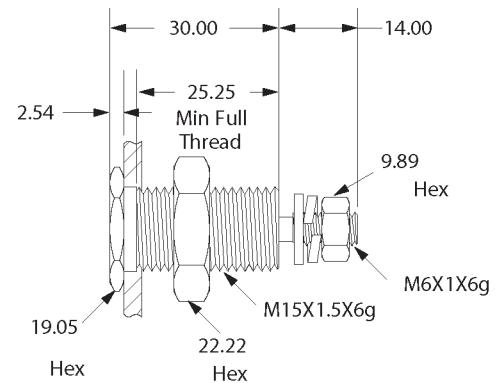


YPN043-003G
YPN043-003H

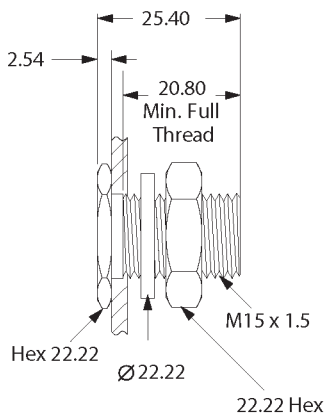
FEMALE CONTACTS (SOCKETS)



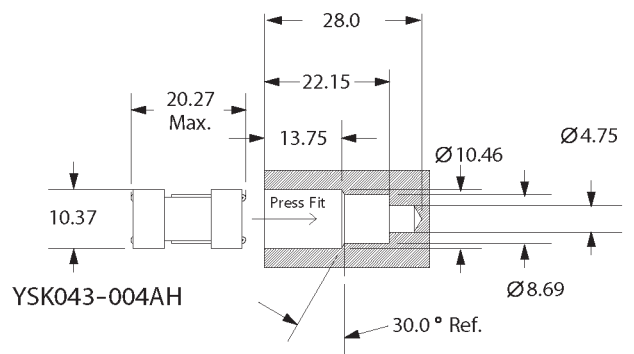
Note: Mates Only With YPN043-009H
YSK043-008AH



YSK043-003AH



YSK043-001AH



YSK043-004AH

Dimensions are in mm

Ø 6.12 mm contacts

Plating Reference:

Male Pins:

G = 0.25 µm Gold on mating surfaces.

Female Sockets:

AH = 1.27 µm Gold on mating surface and gold flash on socket body only.

Materials:

Plating:

Resistance:

Current Rating:

Extraction Force:

Contact Life:

Beryllium copper wires and brass body

Gold over nickel

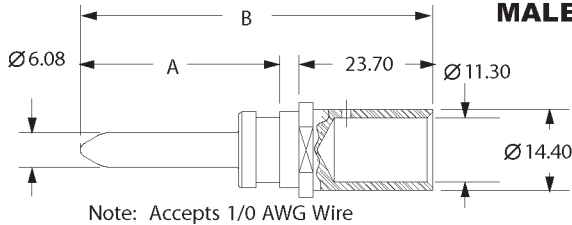
< 0.25 mΩ

200 Amps

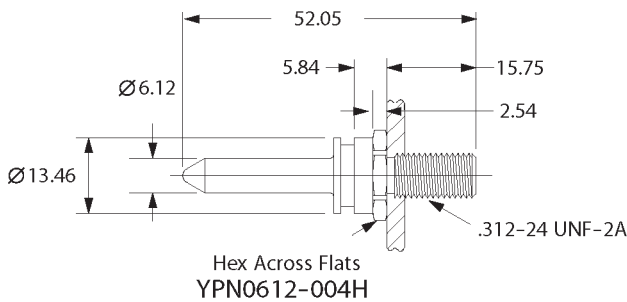
2268 - 4536 gr.

Up to 100, 000 mating cycles

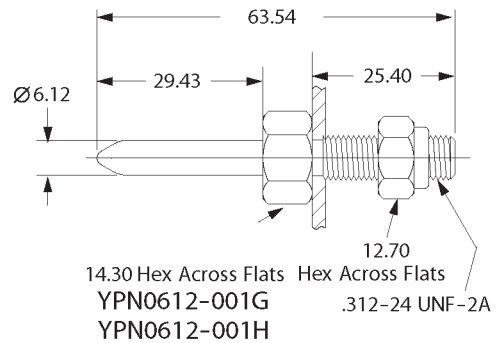
MALE CONTACTS (PINS)



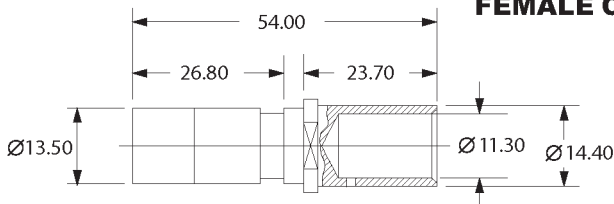
Note: Accepts 1/0 AWG Wire



Part Number	Dim A	Dim B
YPN0612-021RI	35.35	62.55
YPN0612-023RI	41.30	68.50

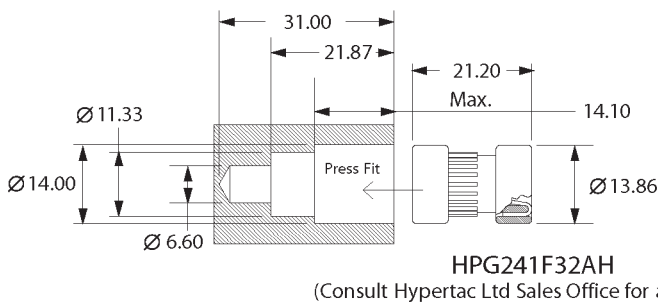
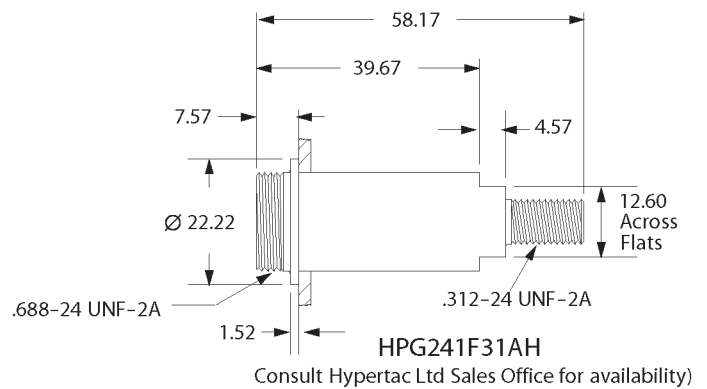
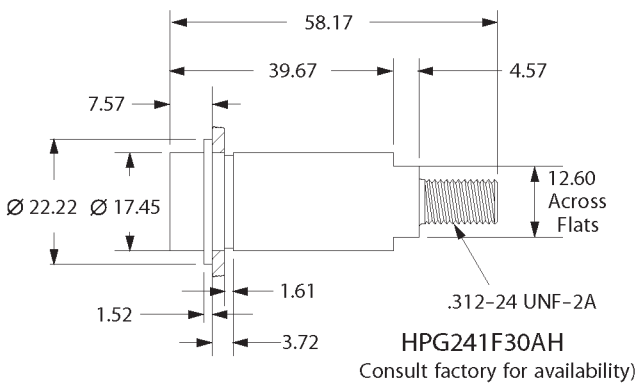
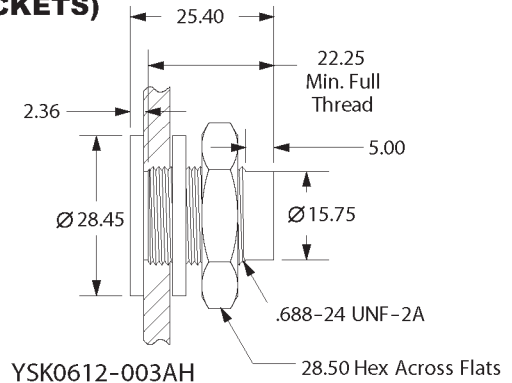


FEMALE CONTACTS (SOCKETS)



Note: Accepts 1/0 AWG Wire

YSK0612-015AH



Dimensions are in mm

Ø 12.70 mm contacts

Plating Reference:

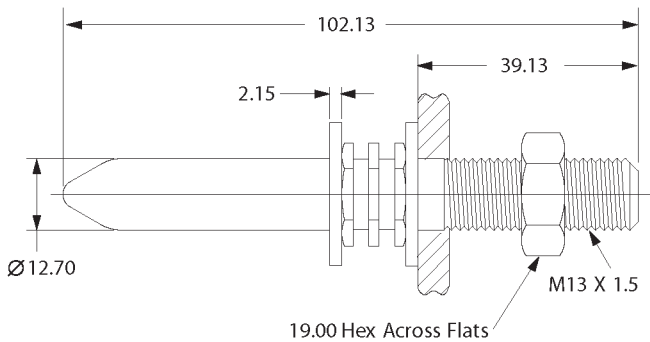
Male Pins:
G = 0.25 µm Gold on mating surfaces.

Female Sockets:
AH = 1.27 µm Gold on mating surface and gold flash on socket body only.

Materials:
Plating:
Resistance:
Current Rating:
Extraction Force:
Contact Life:

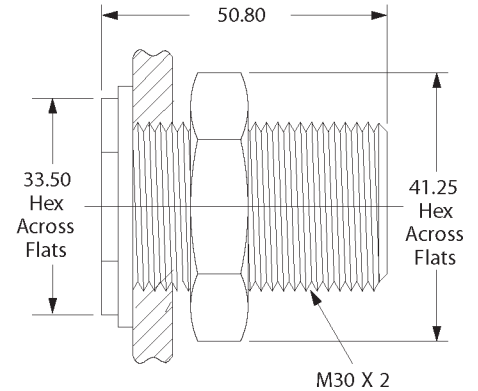
Beryllium copper wires and brass body
Gold over nickel
< 0.08 mΩ
350 Amps
4.1 - 9.1 kg.
Up to 100, 000 mating cycles

MALE CONTACTS (PINS)



YPN127-004G
YPN127-004H

FEMALE CONTACTS (SOCKETS)



YSK127-004AH

Ø 16.50 mm contacts

Plating Reference:

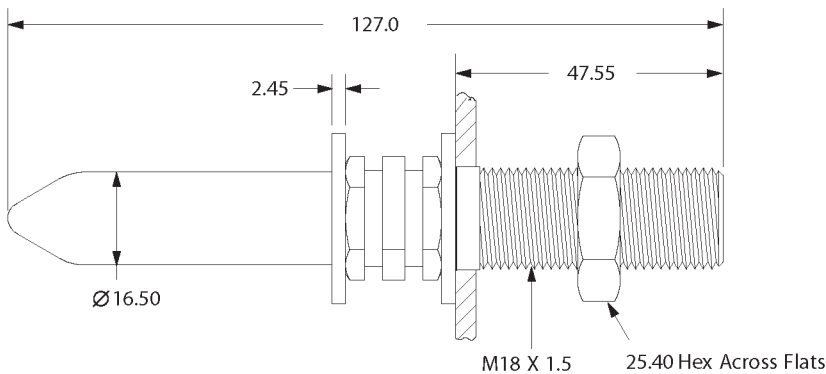
Male Pins:
G = 0.25 µm Gold on mating surfaces.

Female Sockets:
AH = 1.27 µm Gold on mating surface and gold flash on socket body only.

Materials:
Plating:
Resistance:
Current Rating:
Extraction Force:
Contact Life:

Beryllium copper wires and brass body
Gold over nickel
< 0.4 mΩ
500 Amps
9.1 - 17 kg.
Up to 100, 000 mating cycles

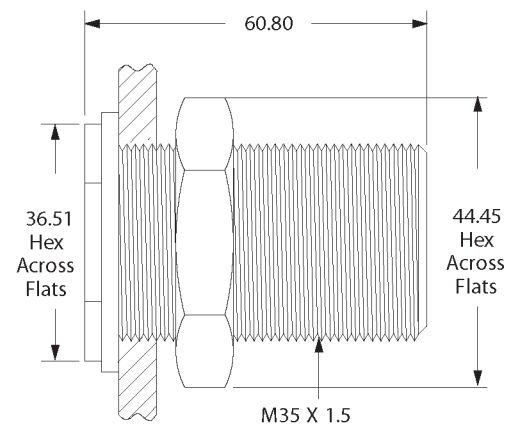
MALE CONTACTS (PINS)



YPN165-002G
YPN165-002H

Consult Hypertac Ltd Sales Office for availability)

FEMALE CONTACTS (SOCKETS)



YSK165-001AH

(Consult Hypertac Ltd Sales Office for availability)

Dimensions are in mm