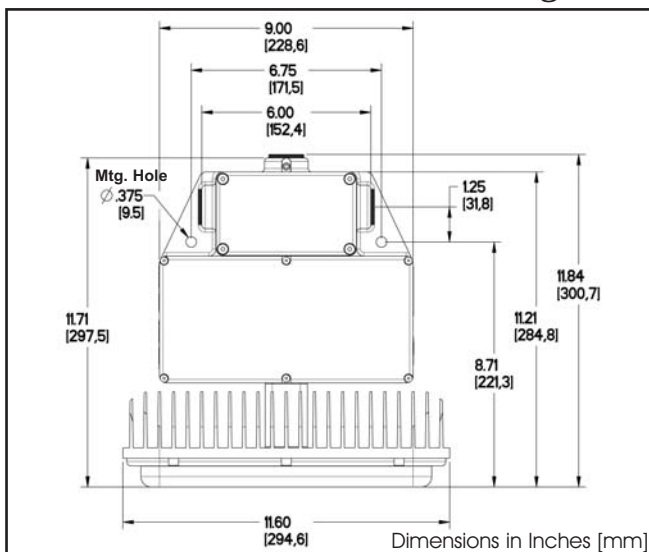




Patents Pending

SafeSite® LED White Downlight



Certifications & Ratings:

- ▷ Class I, Div 2, Groups A, B, C, D hazardous environments T4A rated
- ▷ Class II, Div 2, Groups F, G hazardous environments T3B rated
- ▷ Certified to UL844 / NEMA 4X / UL1598 / UL1598A / CSA 22.2
- ▷ IP66 rated

Features & Benefits:

- ▷ Low power consumption
- ▷ Instant on/off response
- ▷ Weather/corrosion resistant lamp assembly and housing
- ▷ Universal input (120-277 VAC), 50/60 Hz
- ▷ *Resistant to shock (IEC 68-2-27) and vibration (FAA 150/5345-46C)
- ▷ 5 year warranty
- ▷ 70% lumen maintenance over 60,000 operating hours

Order Codes:

SafeSite Series 150 Watt Equivalent Fixtures	
HZC-02-150-1111-201	CID2/CIID2 Cert - 180 Degree
HZC-02-150-1111-301	CID2/CIID2 Cert - 360 Degree
HZC-04-150-1111-201	ATEX Cert - 180 Degree
HZC-04-150-1111-301	ATEX Cert - 360 Degree
*HZC-02-150-1111-202	CID2/CIID2 Cert - 180 Degree, HVS
*HZC-02-150-1111-302	CID2/CIID2 Cert - 360 Degree, HVS
**HZC-02-150-1111-211	CID2/CIID2 Cert - 180 Degree, PC
**HZC-02-150-1111-311	CID2/CIID2 Cert - 360 Degree, PC

Additional Options:

- * HVS order codes are High Vibration & Shock resistant with T4 rating (CID2)
- **PC order codes are hard coated lens and powder coat on all exposed aluminum parts

Application:

Dialight introduces the new state of the art fixture for hazardous location lighting. Its rugged solid state design creates a new era where failed lamps and expensive relamping costs become a thing of the past. This light incorporates both cutting edge LED technology along with proprietary optics to achieve area lighting comparable with other traditional light sources. By focusing the light where it is needed, the SafeSite Series is the most efficient light source available for hazardous area lighting applications. Whether your application is in a refinery, oil platform, chemical plant or any other Class I, Division 2 / Class II, Div 2 application, this fixture offers improved performance across the board.

Mechanical Information:

- Container Dimensions:** 15" X 16" X 10"
381mm x 407mm x 254mm
- Container Weight:** 19 lbs (8.2 kg)
- Mounting:** Threaded 1" NPT on 3 sides of splice box

Electrical specifications:

- Operating Voltage:** 120-277 VAC, 50/60 Hz
(DC versions available - consult factory)
- Power Consumption:** 100 W
- Amps:** 0.83
- Operating Temp:** -40°F to +133°F (-40°C to +55°C)
- Harmonics:** IEC 6100-3-2
- Surge / Lightning Protection:** 1 kV line to line
2 kV line to ground
- THD:** < 20 %
- Power Factor:** > 0.9

Material:

- Lens:** UV stabilized Polycarbonate with enhanced abrasive resistance

- Body:** Grey epoxy powder coat aluminum

- Heat sink:** Clear anodized aluminum

- Accessories (hardware):** Stainless steel

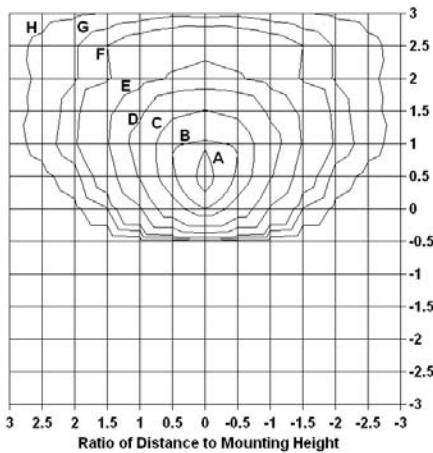
Photometric Information:

- CRI (typ):** 70
- CCT:** 4500-7000K

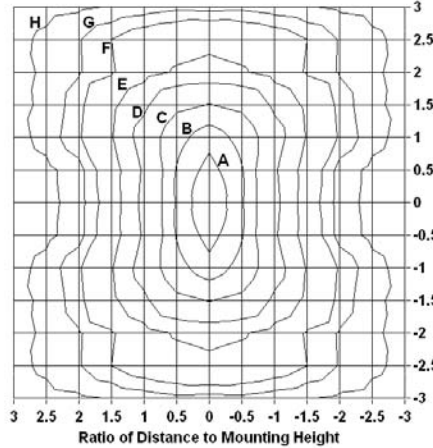
SafeSite Series 250 Watt Equivalent Fixtures	
HZC-02-250-1111-201	CID2/CIID2 Cert - 180 Degree
HZC-02-250-1111-301	CID2/CIID2 Cert - 360 Degree
HZC-04-250-1111-201	ATEX Cert - 180 Degree
HZC-04-250-1111-301	ATEX Cert - 360 Degree
*HZC-02-250-1111-202	CID2/CIID2 Cert - 180 Degree, HVS
*HZC-02-250-1111-302	CID2/CIID2 Cert - 360 Degree, HVS
**HZC-02-250-1111-211	CID2/CIID2 Cert - 180 Degree, PC
**HZC-02-250-1111-311	CID2/CIID2 Cert - 360 Degree, PC

Light Measurement Data

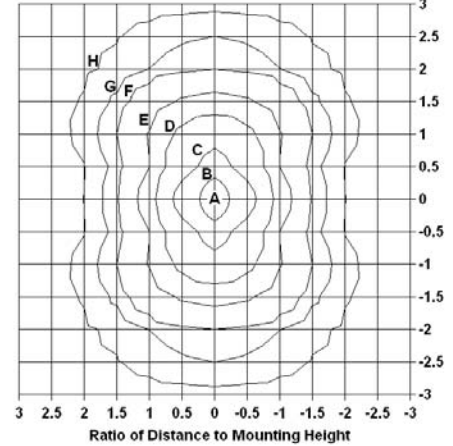
180 Degree Pattern



Back to Back 360 Degree Pattern



360 Degree Pattern



Each box is one mounting height.

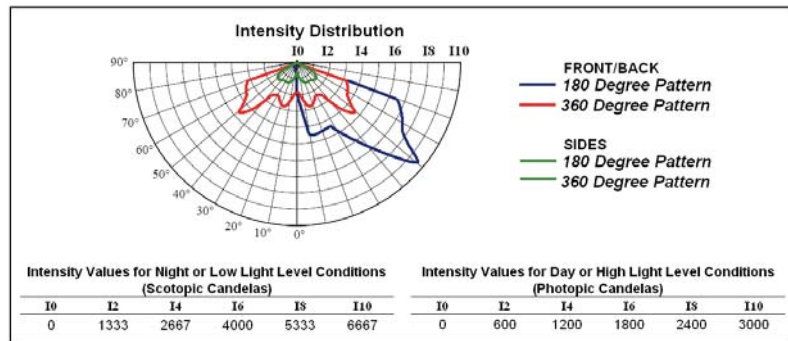
150 Watt Equivalent Fixtures

Illuminance Values for Night or Low Light Level Conditions

		Illuminance Values for Night or Low Light Level Conditions (Scotopic Footcandles)							
		A	B	C	D	E	F	G	H
Mounting Height (ft)	4	136.80	91.20	72.96	45.60	27.36	13.68	9.12	4.56
	8	34.20	22.80	18.24	11.40	6.84	3.42	2.28	1.14
	12	15.20	10.13	8.11	5.07	3.04	1.52	1.01	0.51
	16	8.55	5.70	4.56	2.85	1.71	0.86	0.57	0.29
	20	5.47	3.65	2.92	1.82	1.09	0.55	0.36	0.18
	25	3.50	2.33	1.87	1.17	0.70	0.35	0.23	0.12
Mounting Height (ft)	30	2.43	1.62	1.30	0.81	0.49	0.24	0.16	0.08
	35	1.79	1.19	0.95	0.60	0.36	0.18	0.12	0.06

Illuminance Values for Day or High Light Level Conditions

		Illuminance Values for Day or High Light Level Conditions (Photopic Footcandles)							
		A	B	C	D	E	F	G	H
Mounting Height (ft)	4	60.00	40.00	32.00	20.00	12.00	6.00	4.00	2.00
	8	15.00	10.00	8.00	5.00	3.00	1.50	1.00	0.50
	12	6.67	4.44	3.56	2.22	1.33	0.67	0.44	0.22
	16	3.75	2.50	2.00	1.25	0.75	0.38	0.25	0.13
	20	2.40	1.60	1.28	0.80	0.48	0.24	0.16	0.08
	25	1.54	1.02	0.82	0.51	0.31	0.15	0.10	0.05
Mounting Height (ft)	30	1.07	0.71	0.57	0.36	0.21	0.11	0.07	0.04
	35	0.78	0.52	0.42	0.26	0.16	0.08	0.05	0.03



8,300 Total Lumens for Night or Low Light Level Conditions (scotopic)

3,640 Total Lumens for Day or High Light Level Conditions (photopic)

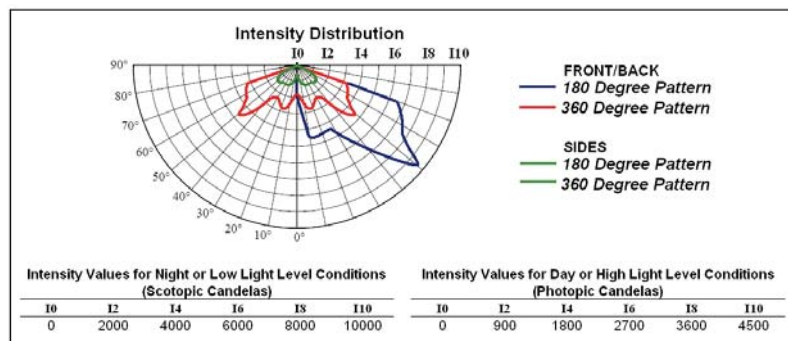
250 Watt Equivalent Fixtures

Illuminance Values for Night or Low Light Level Conditions

		Illuminance Values for Night or Low Light Level Conditions (Scotopic Footcandles)							
		A	B	C	D	E	F	G	H
Mounting Height (ft)	4	205.20	136.80	109.44	68.40	41.04	20.52	13.68	6.84
	8	51.30	34.20	27.36	17.10	10.26	5.13	3.42	1.71
	12	22.80	15.20	12.16	7.60	4.56	2.28	1.52	0.76
	16	12.83	8.55	6.84	4.28	2.57	1.28	0.86	0.43
	20	8.21	5.47	4.38	2.74	1.64	0.82	0.55	0.27
	25	5.25	3.50	2.80	1.75	1.05	0.53	0.35	0.18
Mounting Height (ft)	30	3.65	2.43	1.95	1.22	0.73	0.36	0.24	0.12
	35	2.68	1.79	1.43	0.89	0.54	0.27	0.18	0.09

Illuminance Values for Day or High Light Level Conditions

		Illuminance Values for Day or High Light Level Conditions (Photopic Footcandles)							
		A	B	C	D	E	F	G	H
Mounting Height (ft)	4	90.00	60.00	48.00	30.00	18.00	9.00	6.00	3.00
	8	22.50	15.00	12.00	7.50	4.50	2.25	1.50	0.75
	12	10.00	6.67	5.33	3.33	2.00	1.00	0.67	0.33
	16	5.63	3.75	3.00	1.88	1.13	0.56	0.38	0.19
	20	3.60	2.40	1.92	1.20	0.72	0.36	0.24	0.12
	25	2.30	1.54	1.23	0.77	0.46	0.23	0.15	0.08
Mounting Height (ft)	30	1.60	1.07	0.85	0.53	0.32	0.16	0.11	0.05
	35	1.18	0.78	0.63	0.39	0.24	0.12	0.08	0.04



12,500 Total Lumens for Night or Low Light Level Conditions (scotopic)

5,500 Total Lumens for Day or High Light Level Conditions (photopic)

IES Files: Available at www.dialight.com

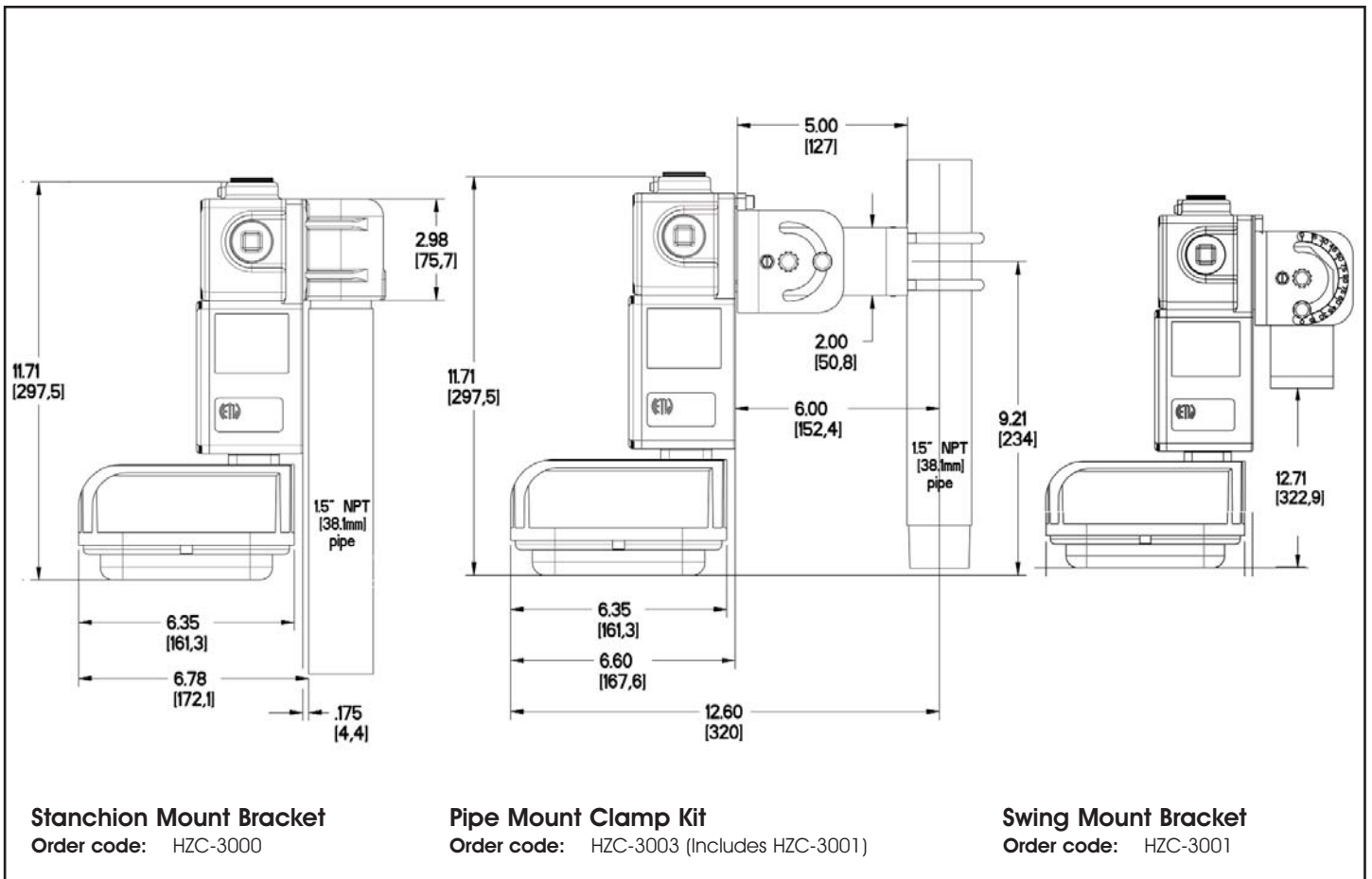
Stanchion Mount Bracket

Pipe Mount Clamp Kit

180° Adjustable Swing Mount Bracket

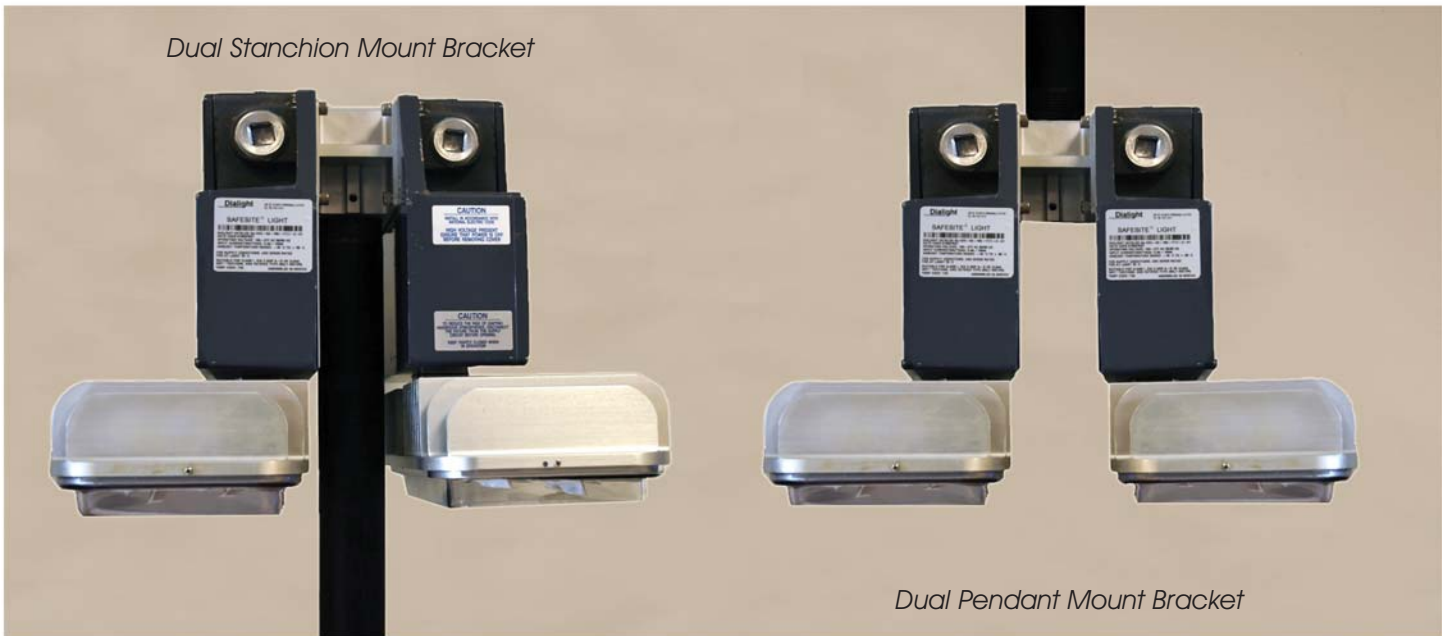


SafeSite® Downlight Fixture Mounting Brackets - Single Units



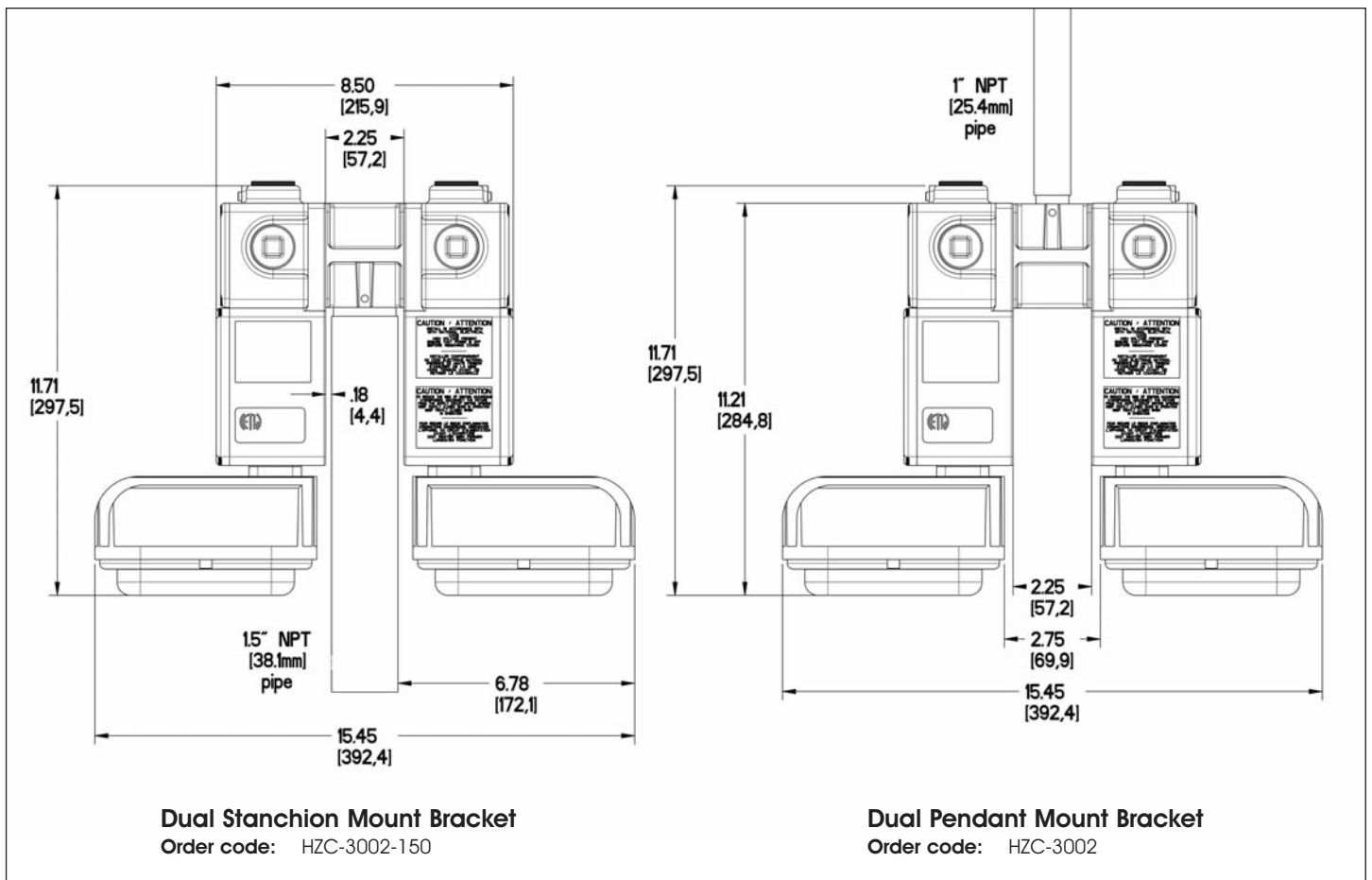
Dimensions in Inches [mm]

Dual Stanchion Mount Bracket



Dual Pendant Mount Bracket

SafeSite[®] Downlight Fixture Mounting Brackets - Dual Units



Dimensions in Inches [mm]