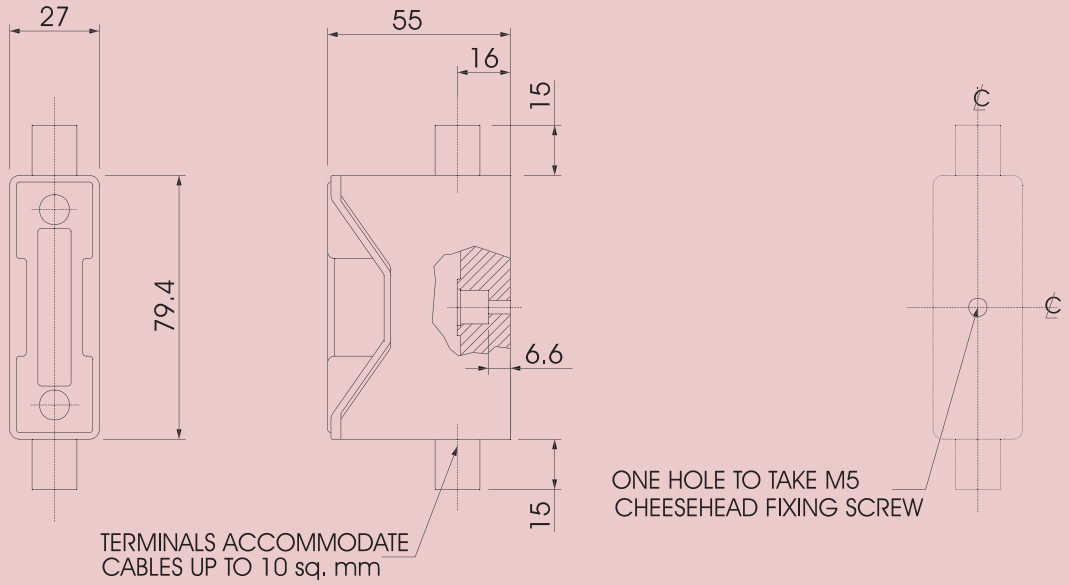


Outline Dimensions

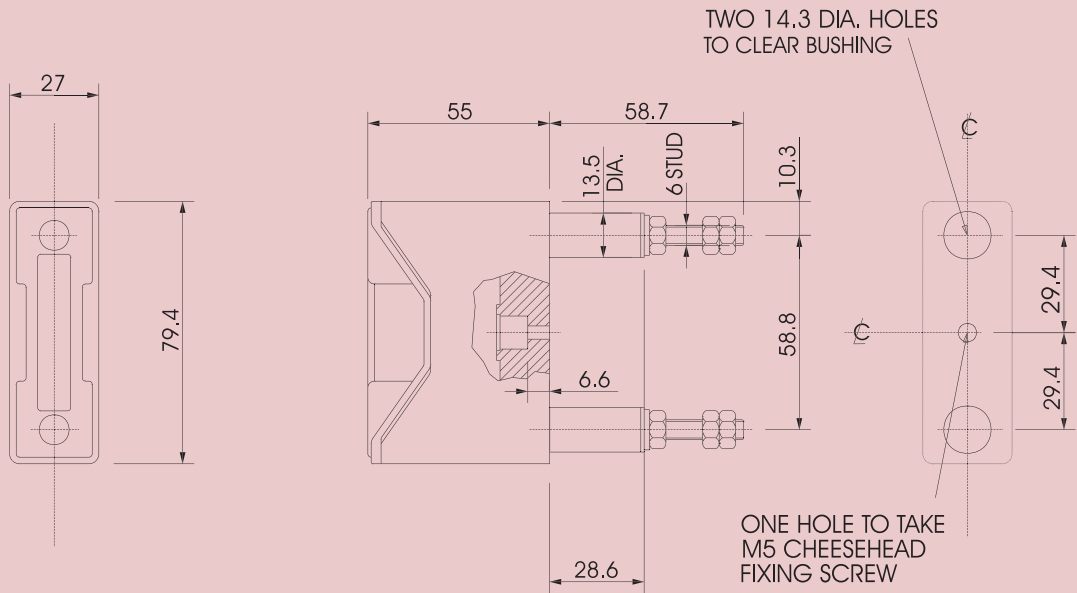
**RED SPOT Fuse Holders – 20 Amp front connected**



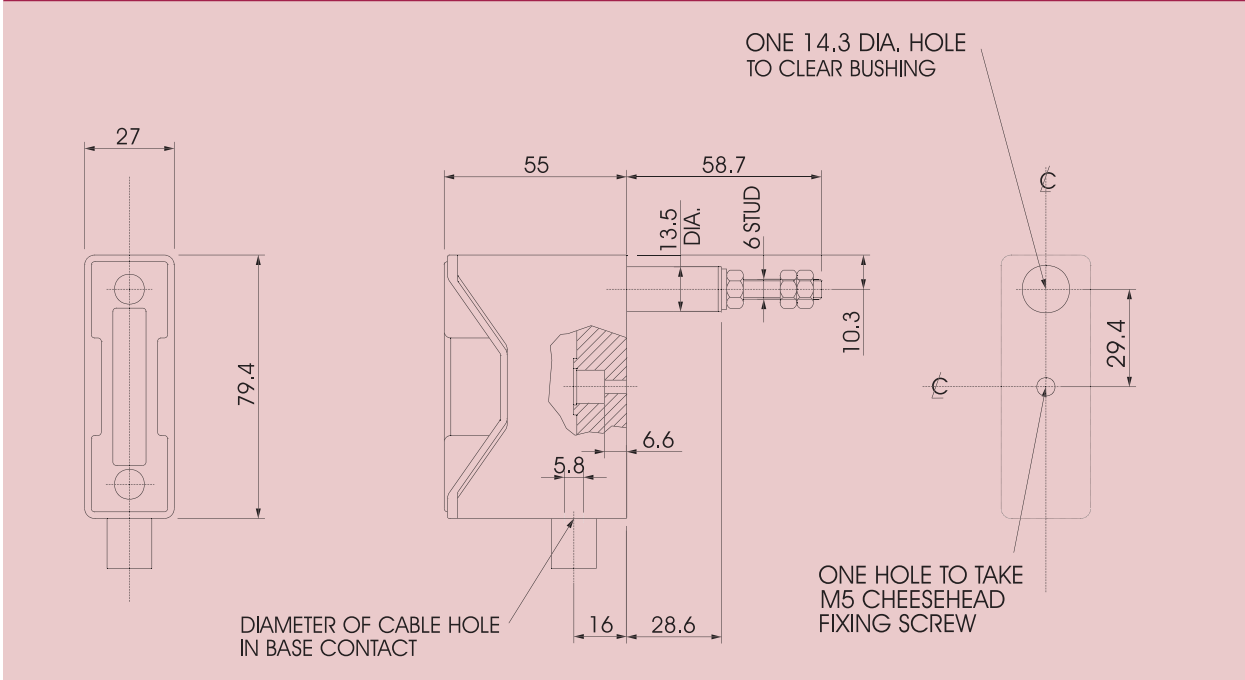
RED SPOT

A

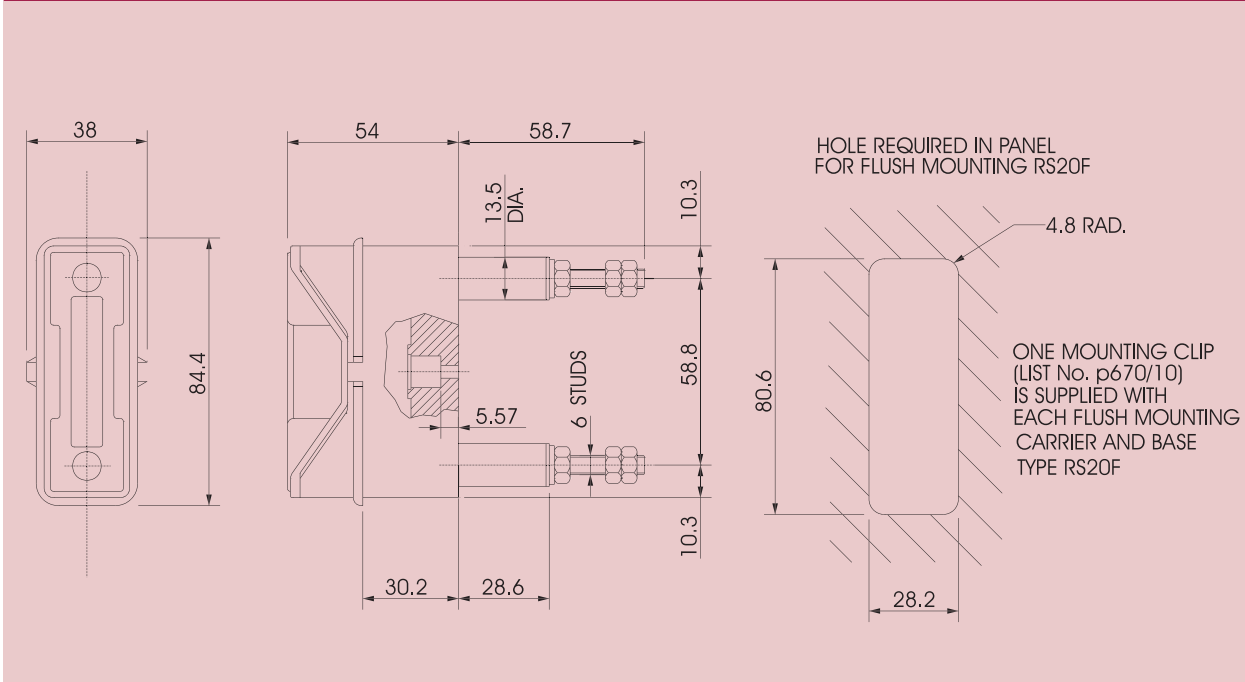
**RED SPOT Fuse Holders – 20 Amp back stud connected**



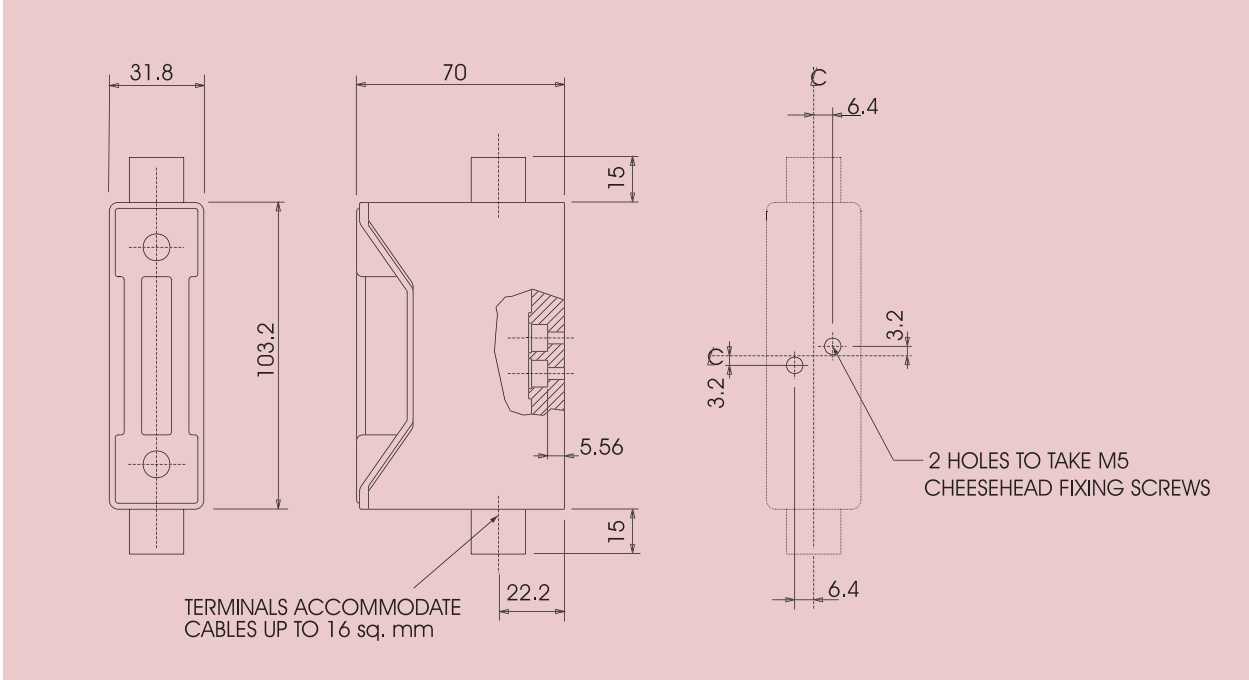
**RED SPOT Fuse Holders – 20 Amp front / back stud connected**



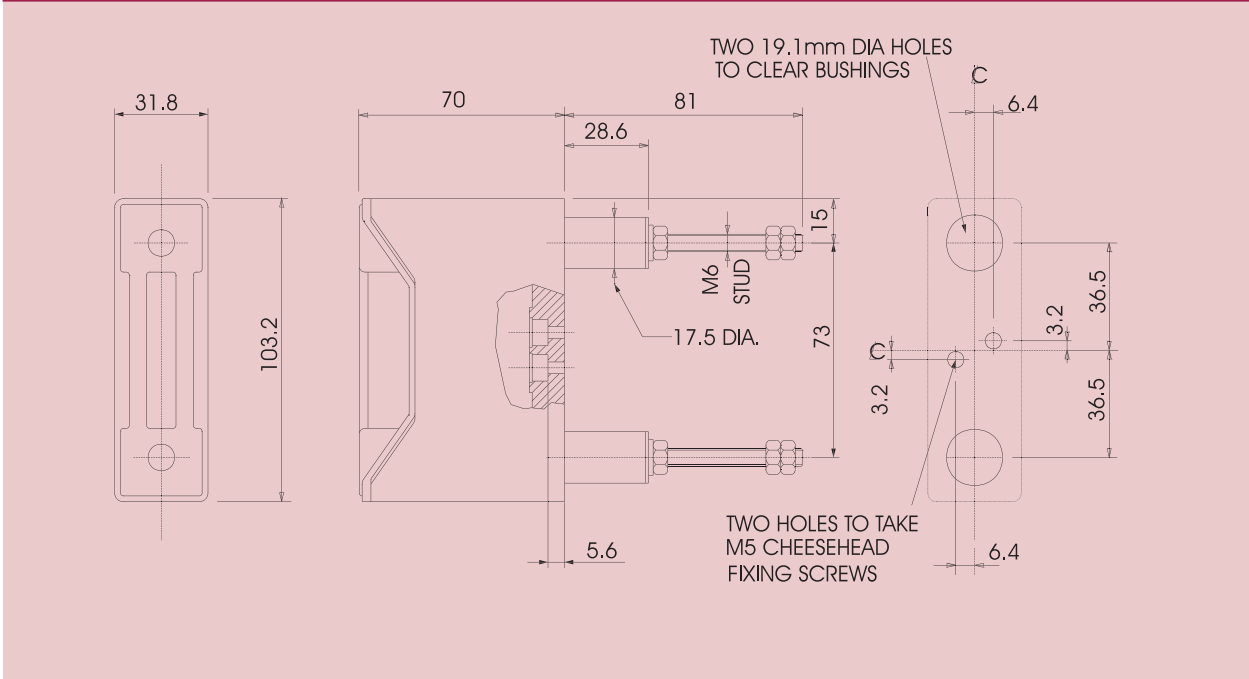
**RED SPOT Fuse Holders – 20 Amp back stud connected / flush mounted**



**RED SPOT Fuse Holders – 32 Amp front connected**

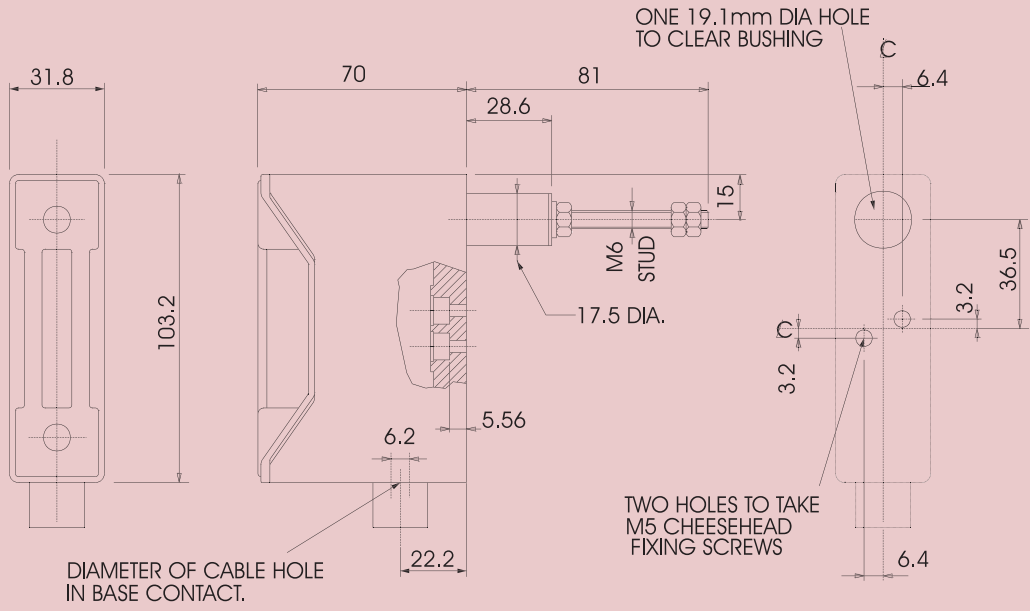


**RED SPOT Fuse Holders – 32 Amp back stud connected**

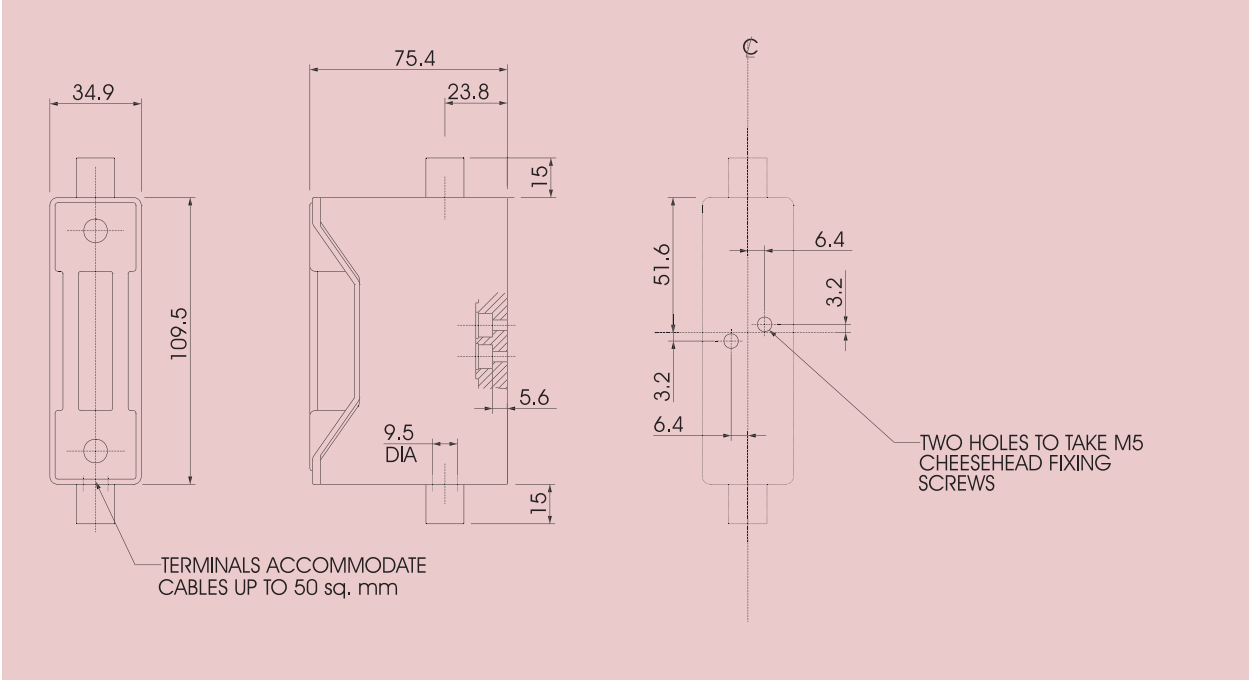


A

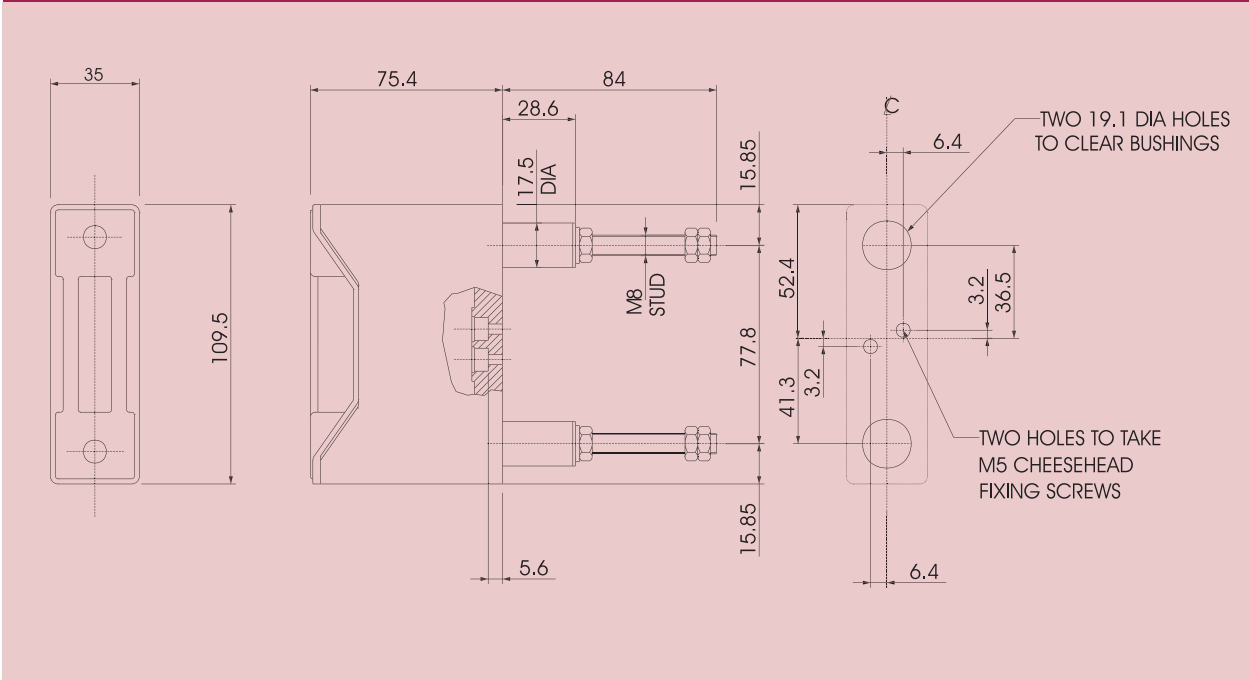
**RED SPOT Fuse Holders – 32 Amp front / back stud connected**



**RED SPOT Fuse Holders – 63 Amp front connected**

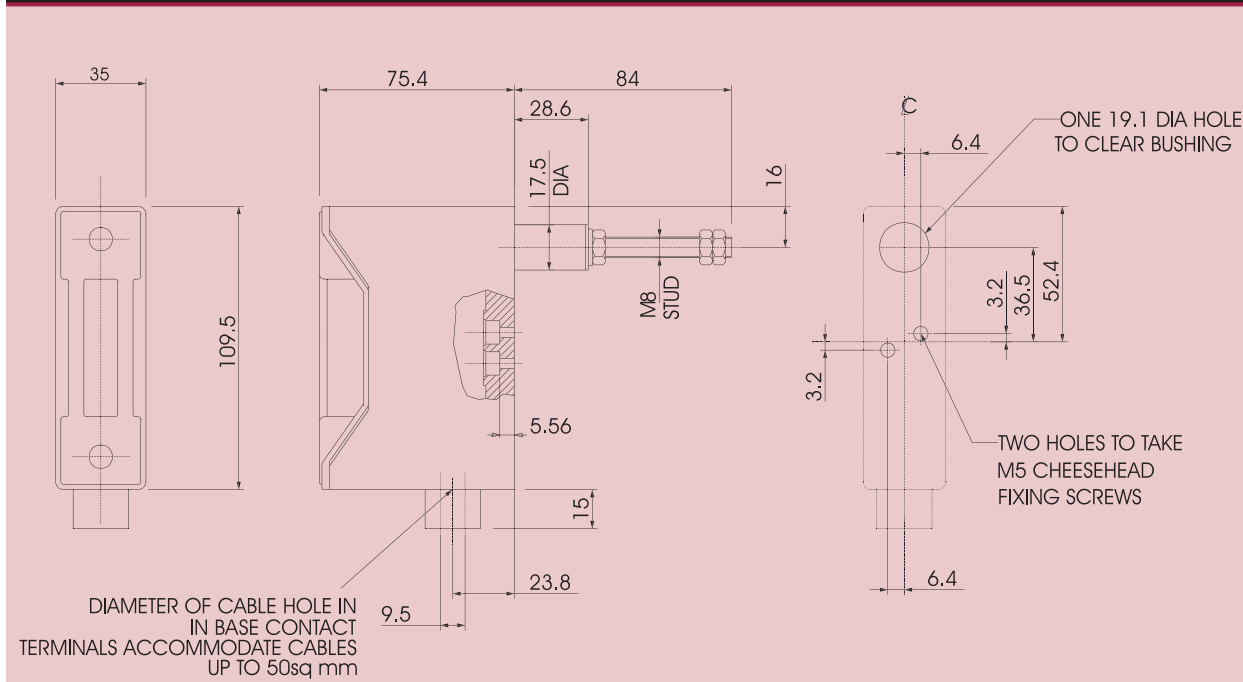


**RED SPOT Fuse Holders – 63 Amp back stud connected**

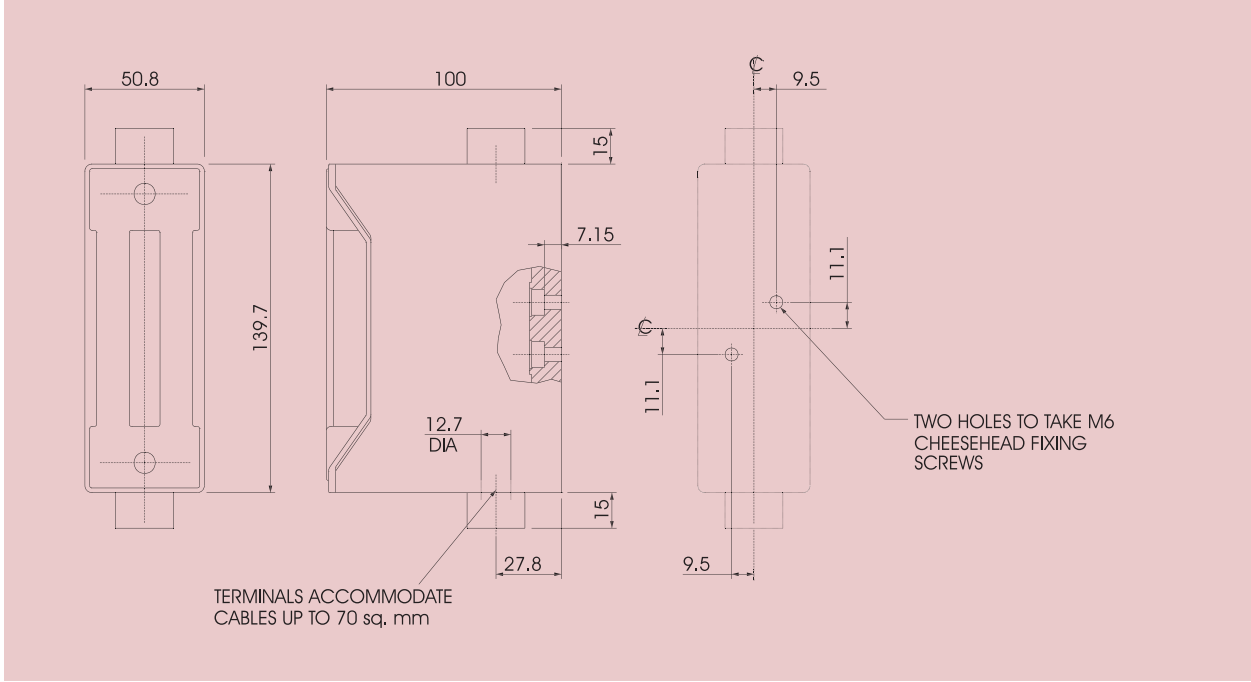


A

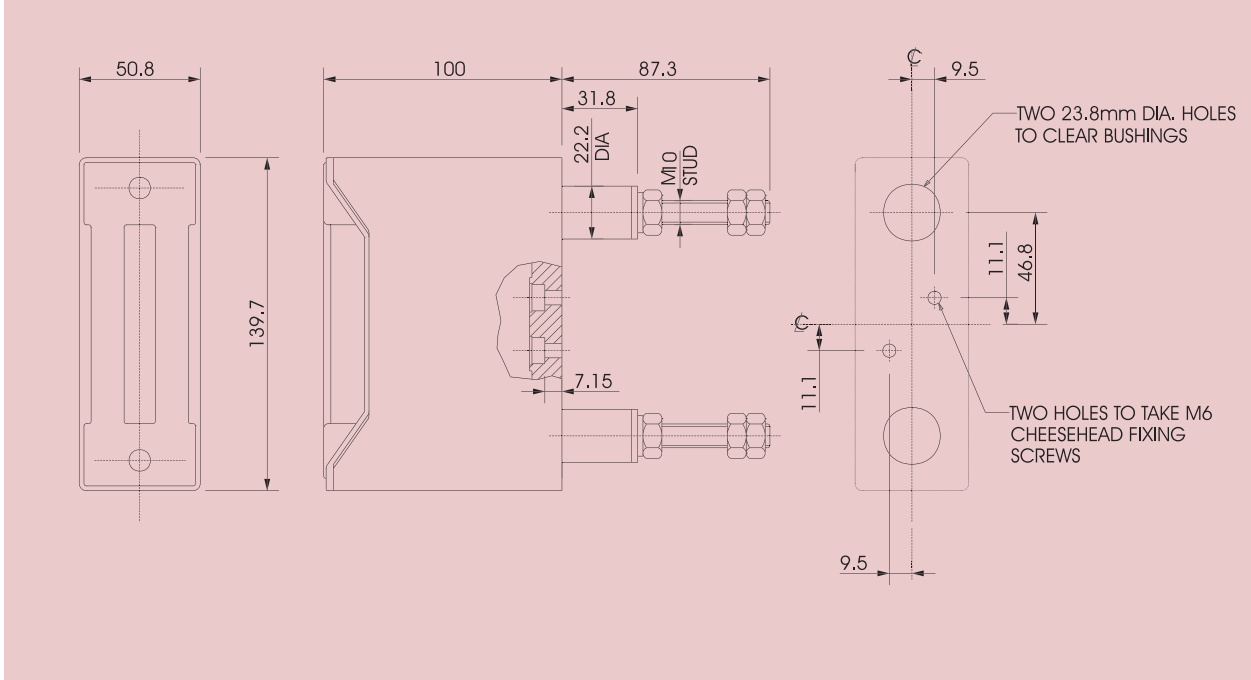
**RED SPOT Fuse Holders – 63 Amp front / back stud connected**



**RED SPOT Fuse Holders – 100 Amp front connected**

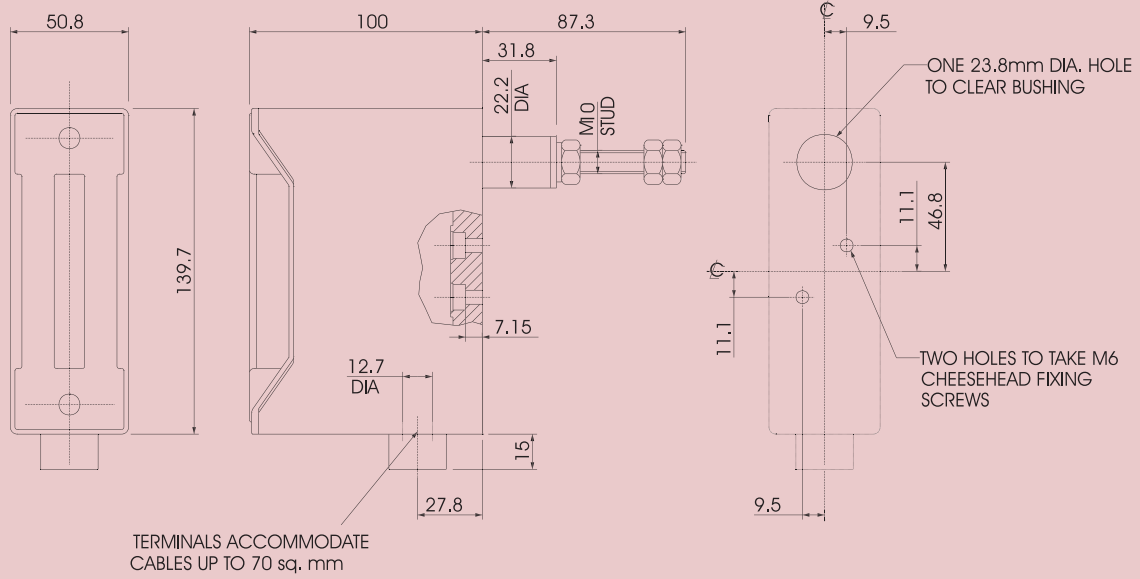


**RED SPOT Fuse Holders – 100 Amp back stud connected**

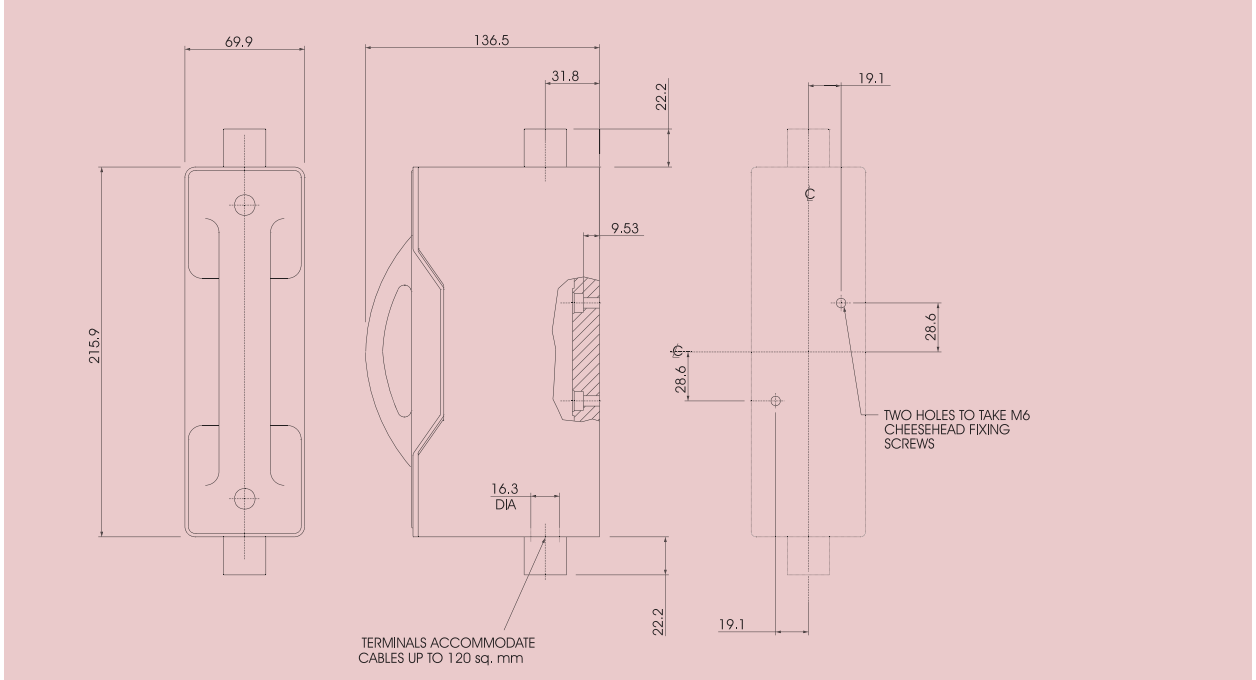


A

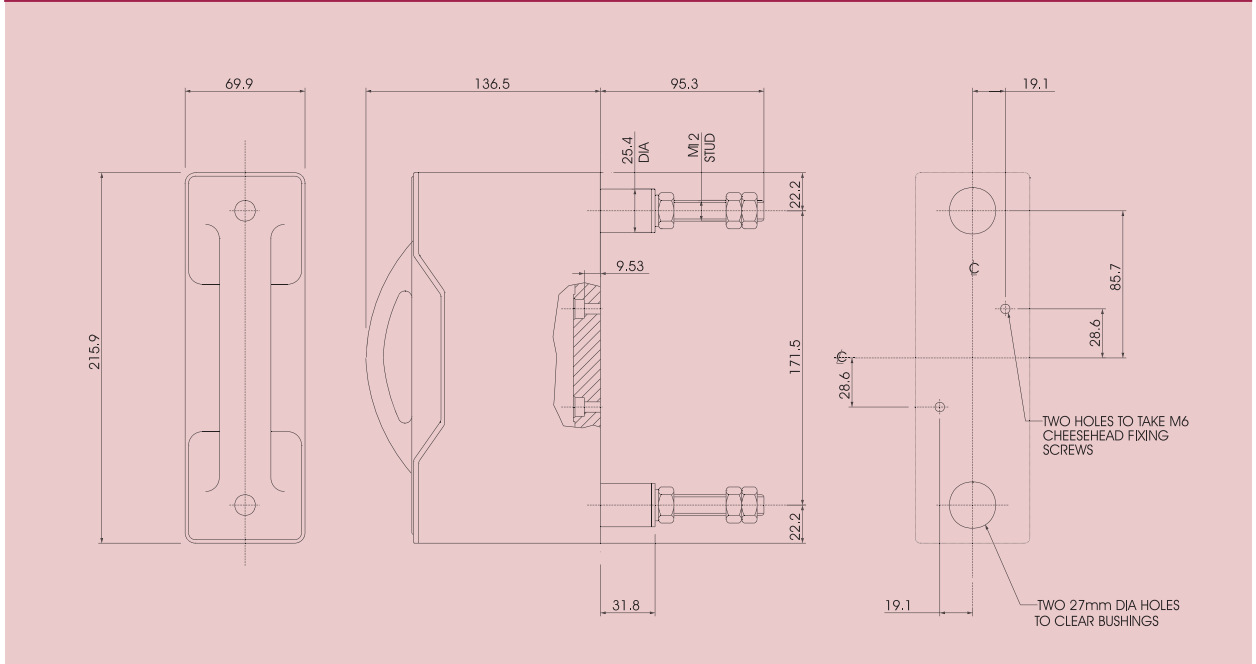
# RED SPOT Fuse Holders – 100 Amp front / back stud connected



**RED SPOT Fuse Holders – 200 Amp front connected**

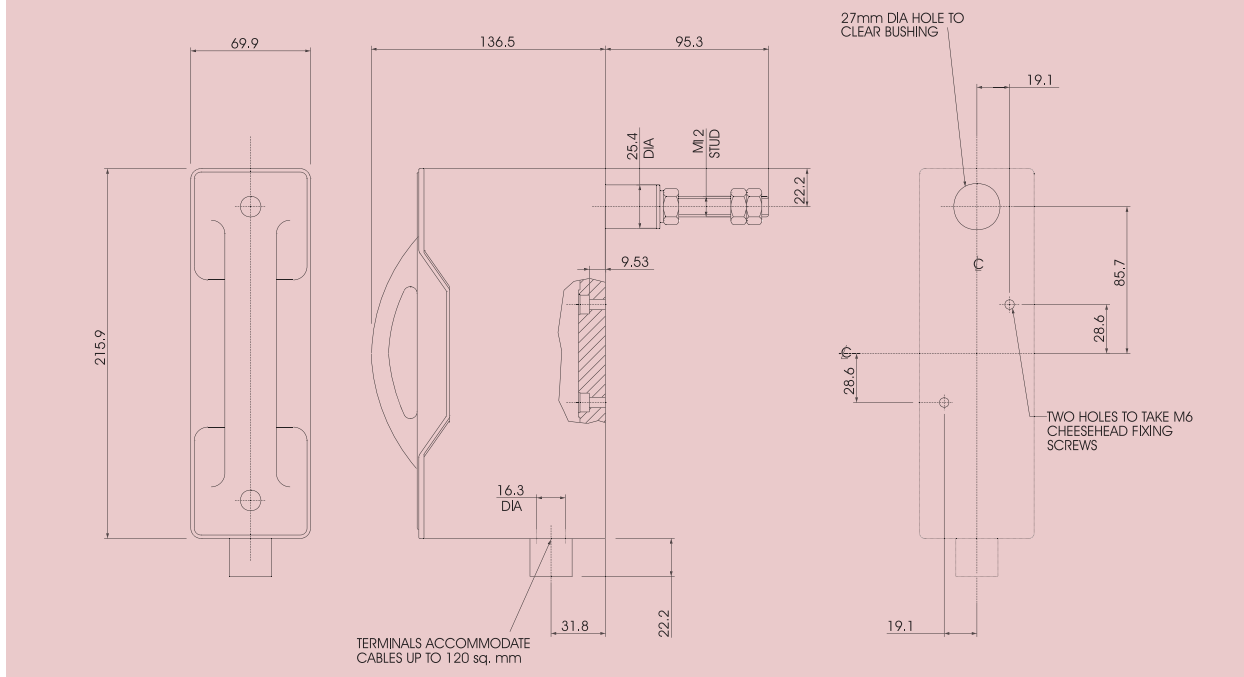


**RED SPOT Fuse Holders – 200 Amp back stud connected**

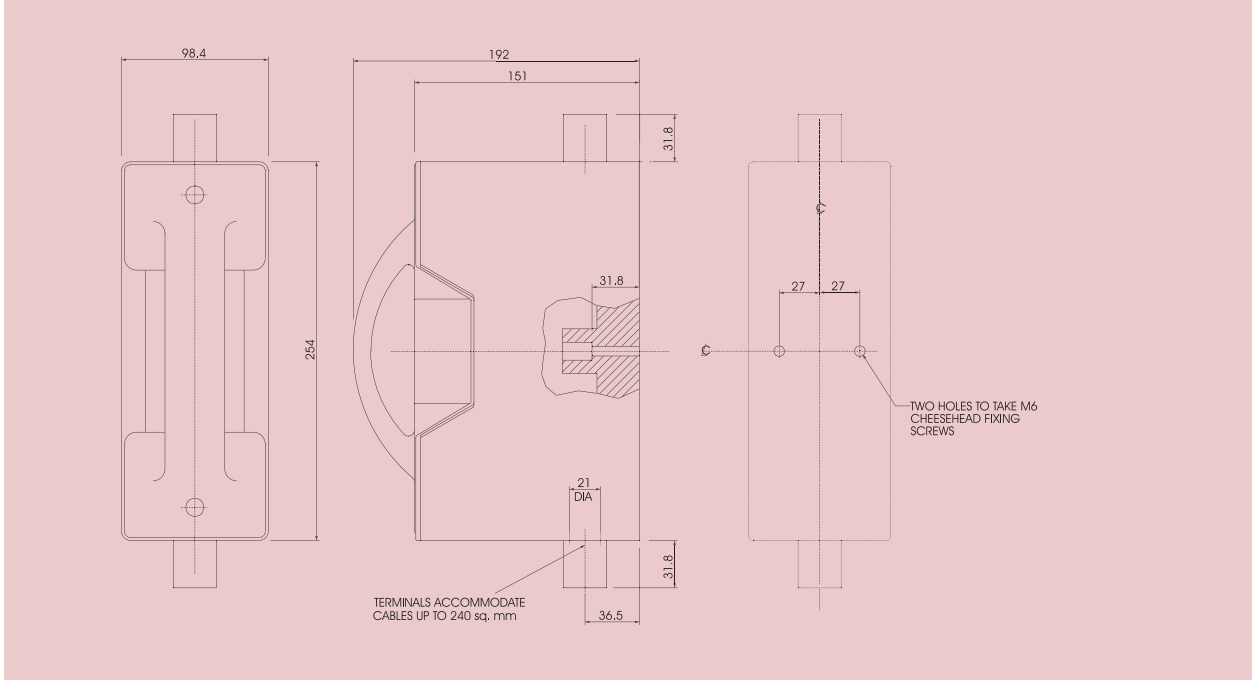


A

# RED SPOT Fuse Holders – 200 Amp front / back stud connected



**RED SPOT Fuse Holders – 400 Amp front connected**



**RED SPOT Fuse Holders – 400 Amp back stud connected**

