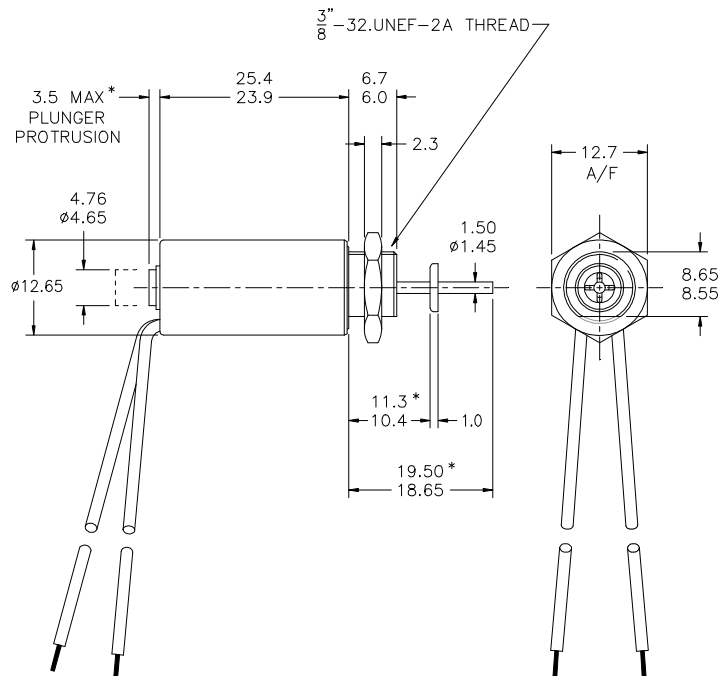
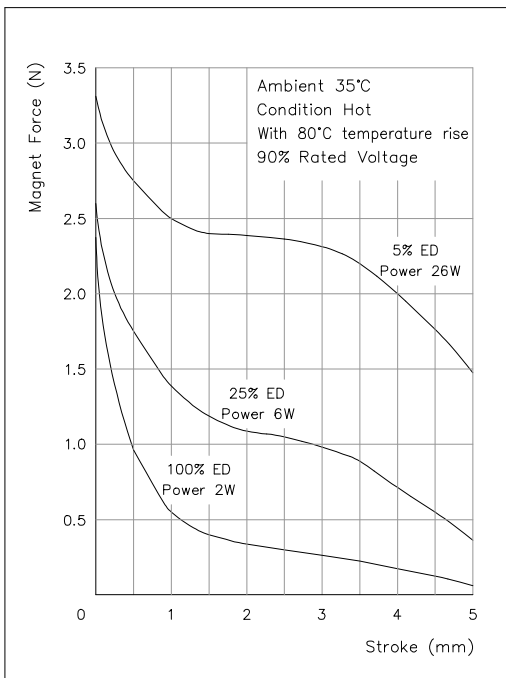


# Tubular Solenoid

MT0525



- Thrust Type Operation
- Captive Plunger
- Flying Leads with Optional Connectors
- Various Voltage Ratings
- Optional Return Spring
- Alternative Plating Finishes
- Threaded Mounting



\* DIMENSIONS WITH SOLENOID ENERGISED.  
TOLERANCES (UNLESS STATED) ±0.25mm