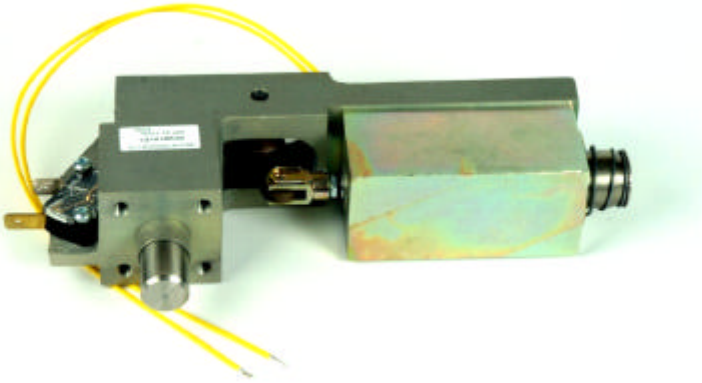
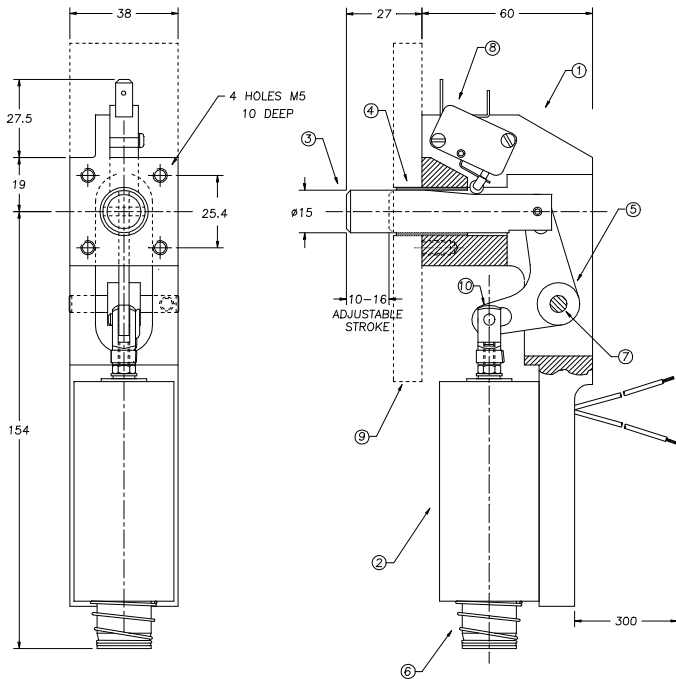


Special Solenoid — 90° Lock

MS SD291



- Optional Bolt End Types
- Bolt Position Sensing
- Bearing Mounted Bolt
- High Side-Load Capability
- 12VDC and 24VDC Versions
- Energise to Unlock
- Spring Return
- Stainless Steel Bolt



1	CAST ALUMINIUM MOUNTING BLOCK
2	SOLENOID
3	STAINLESS STEEL BOLT*
4	BEARING
5	LEVER
6	SPRING
7	LEVER PIVOT
8	POSITIVE ACTION MICROSWITCH
9	MOUNTING PLATE**
10	CLEVIS ADAPTOR

* BOLT END FORM AND LENGTH TO SUIT REQUIREMENTS

** MOUNTING PLATE OPTIONAL TO SUIT REQUIREMENTS

DUTY RATING ED _____ 100%

POWER CONSUMPTION _____ 40W

SPRING FORCE (APPROX)

BOLT EXTENDED _____ 7N

BOLT RETRACTED _____ 10N

CAPABLE OF 10⁶ OPERATIONS

St Helen Auckland, Bishop Auckland,
Co. Durham. DL14 9AA England
Tel: + 44 (0) 1388 604000
Fax: + 44 (0) 1388 607666
Email: enquiries@mechetronics.co.uk
Web: www.mechetronics.com

MECHETRONICS
LIMITED