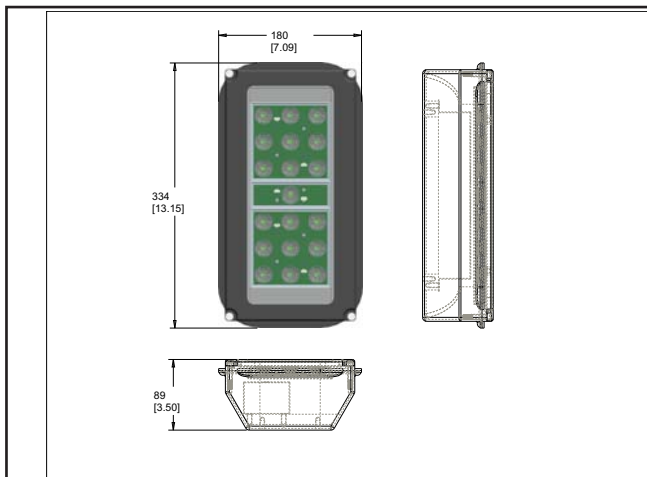




SafeSite® LED Bulkhead Fixture



Dimensions in Inches [mm]

Certifications & Ratings: (pending)

- ▷ IEC
- ▷ ATEX EXe
- ▷ Class I, Div 2
- ▷ UL1598 (wet locations)
- ▷ CSA 22.2
- ▷ IP66 rated
- ▷ NEMA 4X
- ▷ CE

Features & Benefits:

- ▷ Low power consumption
- ▷ Instant on/off operation
- ▷ Universal input (120-277 VAC), 50/60Hz
- ▷ Mercury Free
- ▷ Resistant to shock and vibration
- ▷ 70% lumen maintenance over 60,000 operating hours

Ordering Information:

BHC-1CFG-1BL-1NC

Product Family	Radiation Pattern	LED Color	Initial Delivered Lumens	Lens Type	Voltage	Finish	Bracket	Battery Backup	Backup LED Color
BHC	1 = Wide	C = Cool White	F = 1600-1800	G = Glass	1 = 85-305VAC, 50/60 Hz	BL = Black	1 = Wall	N = No	C = Cool White
	2 = Flood					GY = Grey			
	3 = Oval	N = Neutral White	B = 800-1000	P = Polycarbonate		BR = Bronze	2 = Ceiling	Y = Yes	

BHC-1CFG-1BL-1NC - Standard fixture

Application:

The Dialight SafeSite Bulkhead/Wallpack fixture with its low profile rugged design ensures long life and high reliability in a wide variety of applications. Offered in 12 watt and a 22 watt version, its ideally suited for stairwell, platform, exit, walkway, tunnel, corridor, focused lighting and other hazardous/ industrial applications. The standard product is supplied with a 30 degree wall mounting bracket for illuminating the targeted surface. The optional ceiling/ flush mount bracket enables the product to mount directly to ceilings, raceways, wiring trays, and accomodates a variety of additional lighting applications.

Mechanical Information:

- Fixture Weight:** 11 lbs (5.0 kg)
Wire entry: Five 3/4" NPT drilled and tapped with blank out plugs (M25)

Electrical specifications:

- Operating Voltage:** 85-305 VAC, 50/60 Hz
Input (W): Two options: 12W or 22W
Operating Temp: -40°F to +140°F (-40°C to +60°C)
Noise Requirements / EMC: FCC Title 47, Subpart B, Section 15, class A device. RF Immunity; 10V/m, 80MHz-1GHz
Harmonics: IEC 6100-3-2
Surge Protection: 1 kV line to line
 2 kV line to ground
THD: < 20%
Power Factor: > 0.9
Emergency Battery Backup: (Optional)

Materials:

- Housing:** Cast Aluminum
Finish: Black Powder coated (standard)
 See ordering information for additional colors

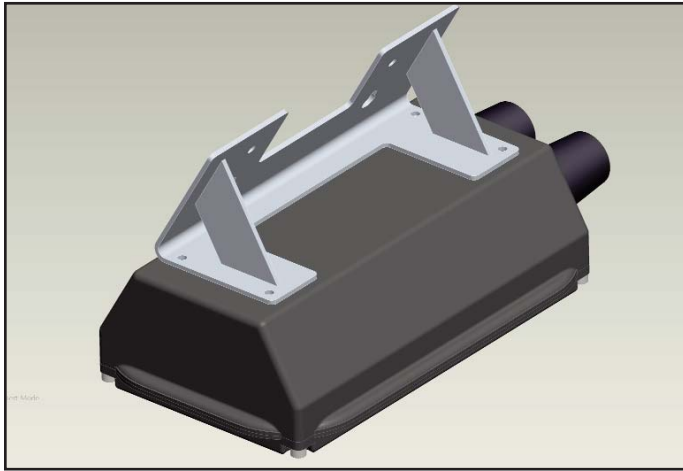
- Lens:** High Impact resistant Clear Glass (standard)
 High Impact resistant Frosted glass (optional)

- Mounting Brackets:** Stainless steel

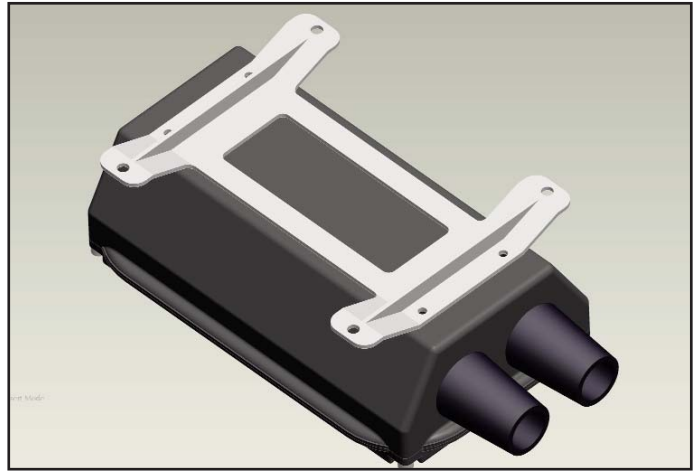
Photometric Information:

- CRI (typ):** > 70
CCT: 3500-4500K (neutral white)
 4500-7000K (cool white)
Mean Lumens: 15% of initial delivered lumens

SafeSite® LED Bulkhead Fixture Mounting Brackets

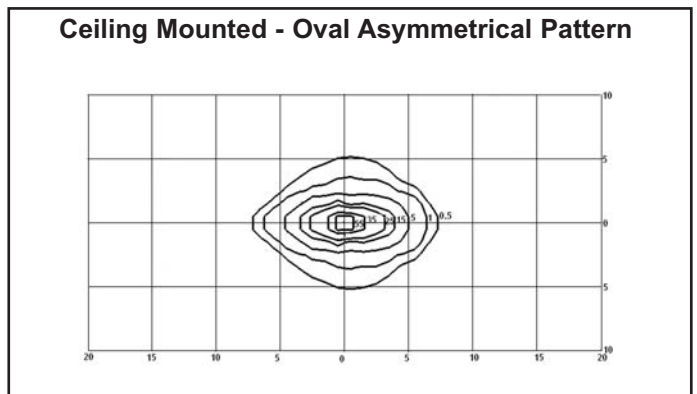
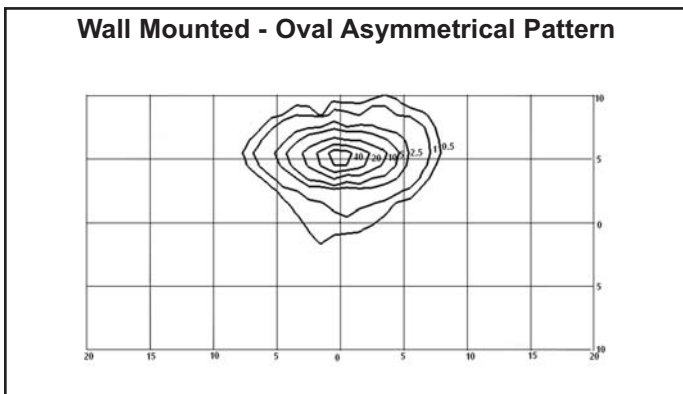
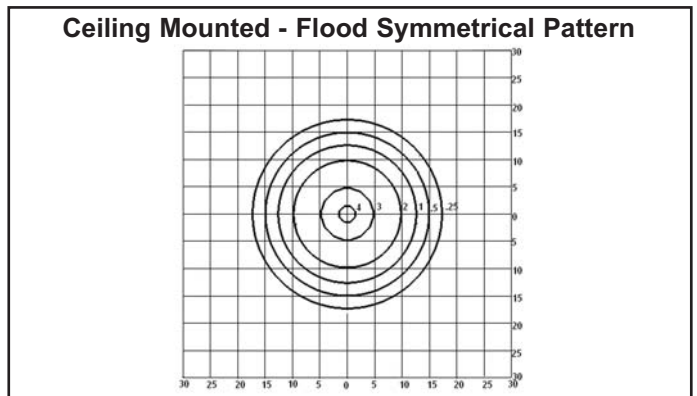
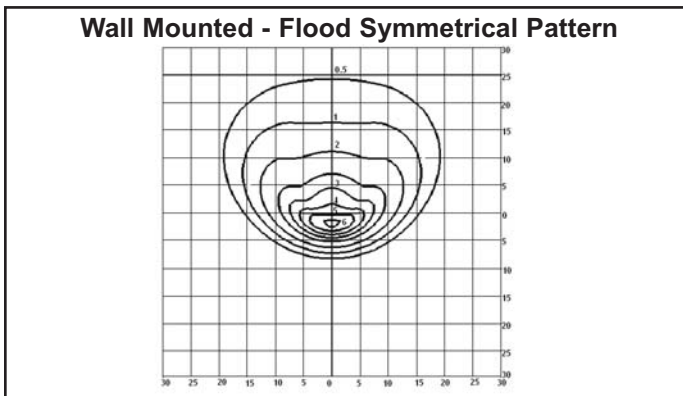
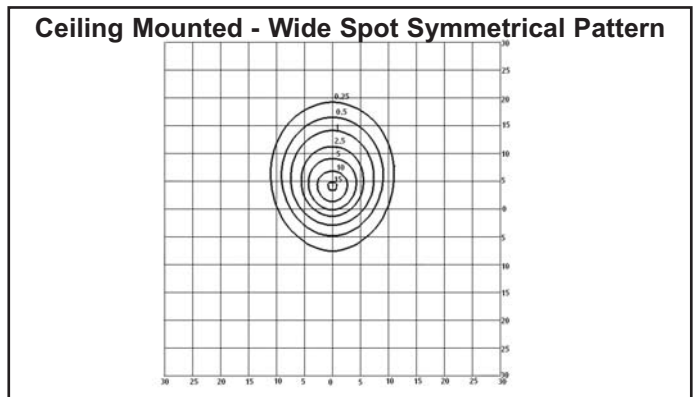
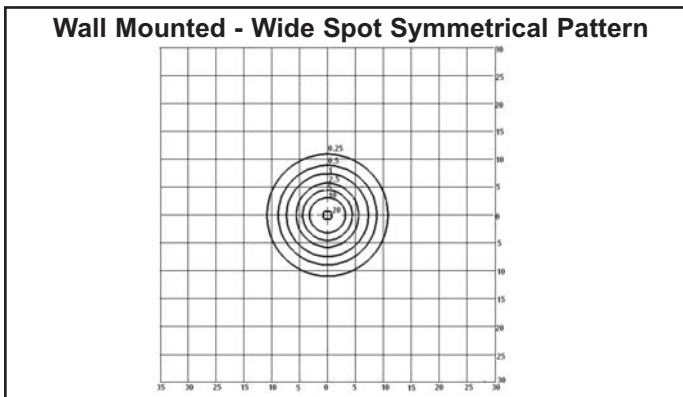


Shown with standard 30 degree wall mount bracket



Shown with optional ceiling mount bracket

Light Measurement Data 22 Watt Version



All Illuminance (foot-candle) Iso-line plots are at a mounting height of 9 feet.
IES files and other photometric data available upon request.

MDTFSSWPX001_A