

Dialight

860 SERIES

LED OBSTRUCTION LIGHT



ETL Certified to: FAA AC NO: (150/5345-43E)

Compliant to: Canadian Aviation
Regulation (CAR 621.19)

ICAO (Annex 14, July 1990)



FEATURES / BENEFITS

- ▲ Available as a single or dual unit
- ▲ Available in 12VDC, 24VDC, 48VDC, 120VAC, and 220VAC versions (50 or 60HZ)
- ▲ Earth grounding provisions provided
- ▲ Unique optically designed lens to enhance LED operation and provide 360 visibility
- ▲ State-of-the-art high-flux LED technology
- ▲ Lasts years longer than an incandescent
- ▲ Weather/corrosion resistant lamp assembly and housing
- ▲ Self-contained wiring compartment eliminates additional boxes
- ▲ Threaded 1" and 3/4" bottom hub for mounting
- ▲ Can be operated steady or flashed
- ▲ 5 year warranty
- ▲ Resistant to shock and vibration

APPLICATION

- ▲ The Dialight 860 series is the FAA type L810 red LED obstruction light. Designed for steady burning, this fixture is used to mark any obstacle that may present hazards to aircraft navigation. The US patent office has issued patent number 6,425,678 B1 for this series.

OPERATING CONDITIONS

- ▲ Temperature: -67 to +131F (-55C to +55C)

FINISH

- ▲ Cast Aluminum
- ▲ Stainless Steel Hardware



A4703



ISO

Dialight Corporation

Dialight Corporation

1501 Route 34 South • Farmingdale, NJ 07727

Tel: 732-919-3119 • Fax: 732-751-5778 • www.dialight.com

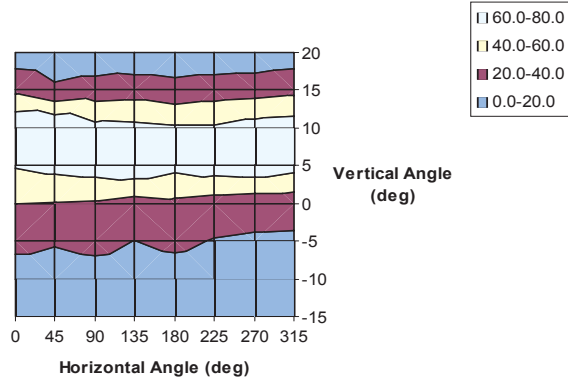


a Roxboro Group company

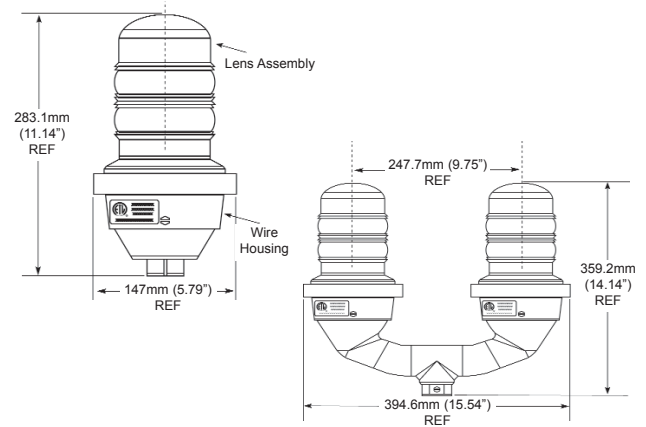
OLO603B

PHOTOMETRIC DATA

L810 Isotropic Intensity Chart



MECHANICAL DIMENSIONS



ORDERING INFORMATION

Single Units Part Number	Volts
*860-1R01-001	120 VAC
860-1R02-001	220 VAC
*860-1R03-001	12 VDC
*860-1R05-001	24 VDC
*860-1R04-001	48 VDC

Single Units with VAW** Adapter Part Number	Volts
*860-1R01-003	120 VAC
860-1R02-003	220 VAC
*860-1R03-003	12 VDC
*860-1R05-003	24 VDC
*860-1R04-003	48 VDC

Dual Units Part Number	Volts
*860-1R01-002	120 VAC
860-1R02-002	220 VAC
*860-1R03-002	12 VDC
*860-1R05-002	24 VDC
*860-1R04-002	48 VDC

Replacement Light Assemblies Part Number	Volts
*860-1R01	120 VAC
860-1R02	220 VAC
*860-1R03	12 VDC
*860-1R05	24 VDC
*860-1R04	48 VDC

WEIGHTS & MEASUREMENTS

PART NUMBER	APPROX. SHIPPING WEIGHT	CONTAINER DIMENSIONS
Single Unit	7.14 lbs	16" x 9" x 8"
Dual Unit	16.06 lbs	22" x 17" x 9"

ELECTRICAL SPECIFICATIONS

	OPERATING VOLTAGE			WATTS (W)		
	Min	Typ	Max	Min	Typ	Max
*120VAC UNITS	92	120	132	9	13	16
220VAC UNITS(60Hz)	198	220	264	12	14	17
220VAC UNITS(50Hz)	198	220	264	12	14	17
*12VDC UNITS	10	12	14	20	25	29
*24VDC UNITS	21	24	27	15	22	30
* 48VDC UNITS	43	48	53	22	25	27

* ETL APPROVED



A4703



Dialight Corporation

Dialight Corporation
1501 Route 34 South • Farmingdale, NJ 07727
Tel: 732-919-3119 • Fax: 732-751-5778 • www.dialight.com



OLO603B