



## HyperSpring® contact

- Spring loaded contact with Hyperboloid socket
- Available with Hypertac Coax, Power and Signal Contact
- Suitable for low height PCB Interconnect, and high density applications
- Provides cleaning contact action on harsh connection environment
- Provides reliable connection: mechanical provided by internal spring and electrical provided by internal pin and socket mating
- Easy replacement and maintenance
- Connection test system for microchip wafer testing
- Suitable for Medical, Military, Defence, and Test & Measurement Markets

## Technical Index

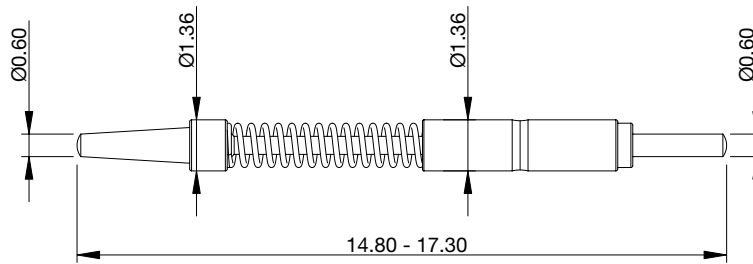
Contact Dia	0.50mm	0.60mm	0.76mm
Current Rating	3 A	3 A	8 A
Spring Force	Max 180 g	120 g	200 g
Contact Resistance	< 20 mΩ	< 10 mΩ	< 8 mΩ
Mating Cycles	100,000	100,000	100,000

### Contact Material

- Non functional parts	Brass plated with Au or Ni
- Spring contact element	CuBe plated with 1.27 μm Au
- Spring element	Stainless steel AISI 302 passivated
- Interface pin connection	Bronze or Cube plated with 1.27 μm Au
- Plug contact terminations	Brass or Bronze plated with 1.27 μm Au

**0.50 mm contact – Double travel termination**

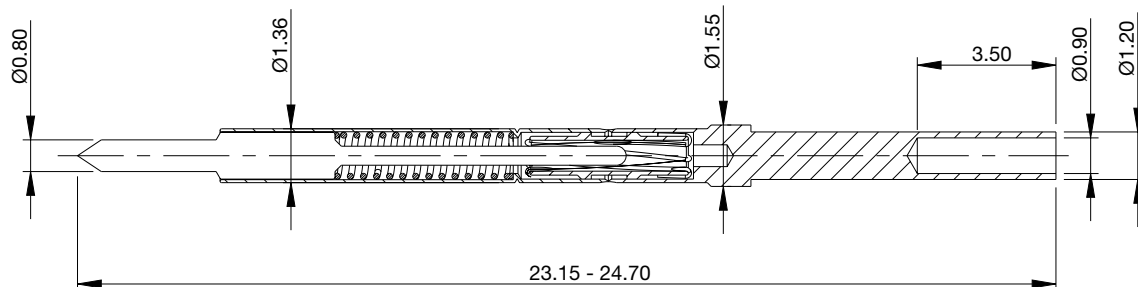
**Male Spring contact**



**Order ref. 23235**

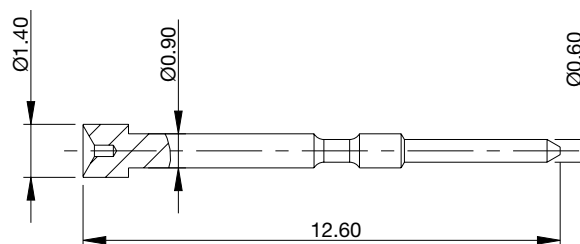
**0.50 mm contact – Solder cup termination AWG 28-24**

**Male Spring contact**



**Order ref. 22703**

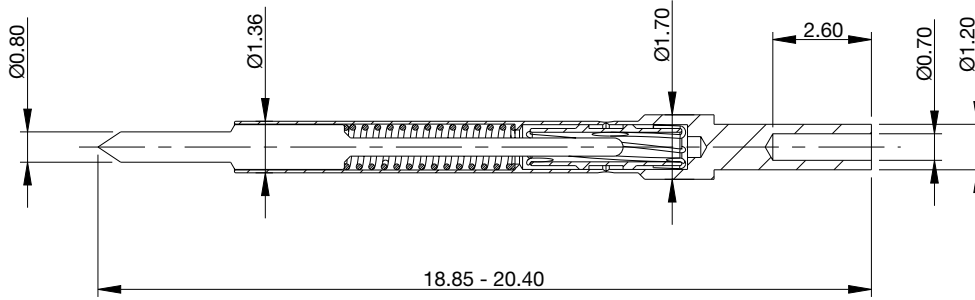
**Female contact**



**Order ref. 22708**

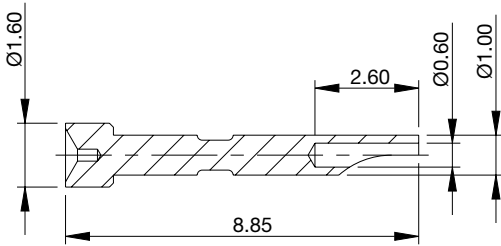
**0.50 mm contact – Solder cup termination AWG 30-28**

**Male Spring contact**

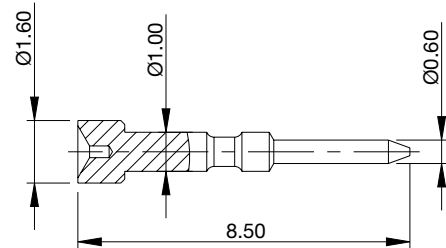


**Order ref. 22709**

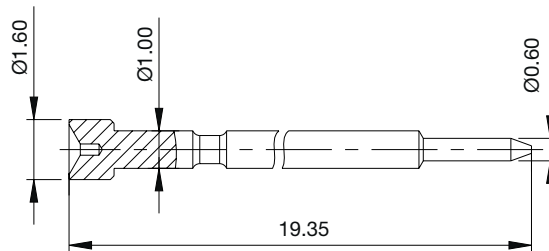
**Female contact**



**Order ref. 22712**



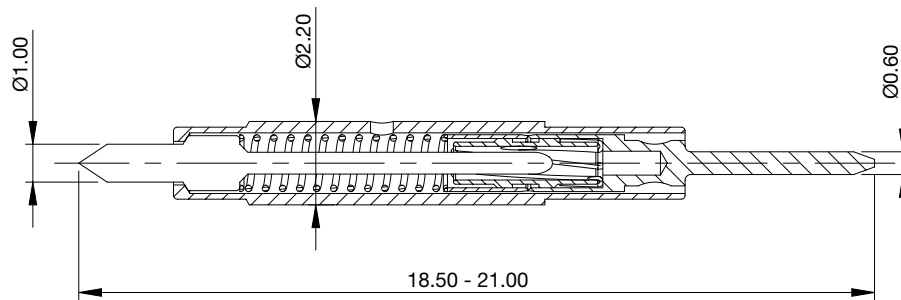
**Order ref. 22950**



**Order ref. 23046**

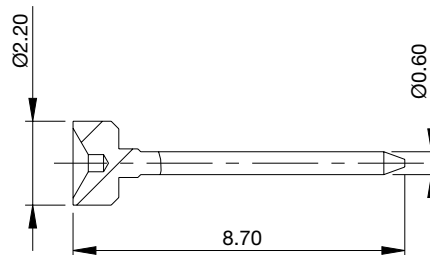
**0.60 mm contact – Straight termination**

**Male Spring contact**



Order ref. 22105

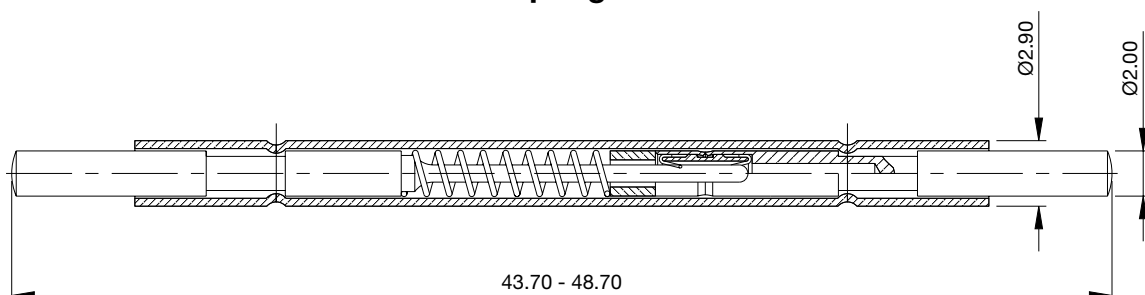
**Female contact**



Order ref. 22113

**0.76 mm contact – double travel termination**

**Male Spring contact**



Order ref. 21464