

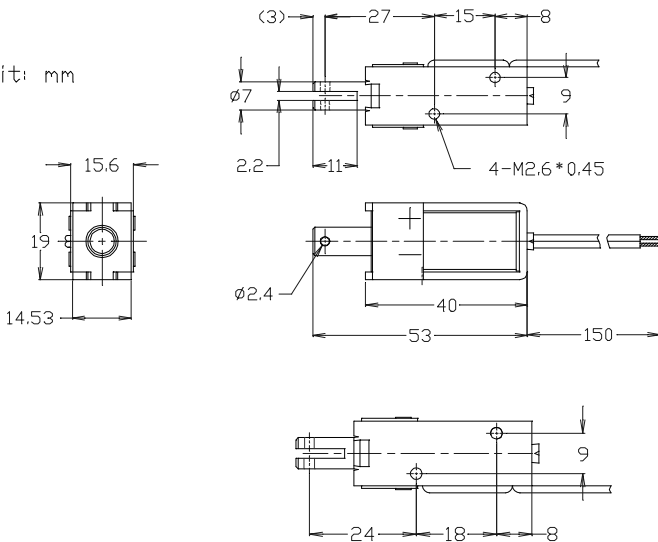
Permanent Magnet

GK0740

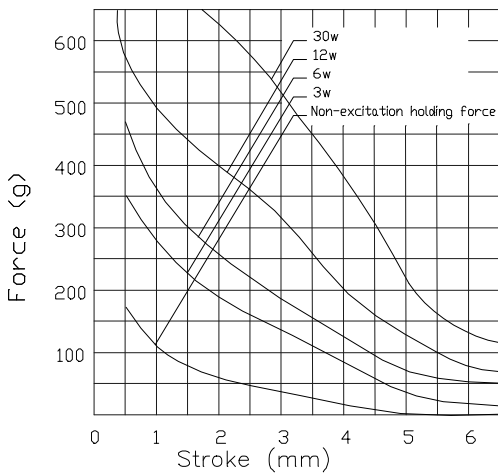


- Pull Type
- Thrust Type
- Flying Leads
- Terminals
- Zinc Plated Frame
- Nickel Plated Plunger
- Customised Plunger Ends
- Customised Fixings
- Optional Voltages

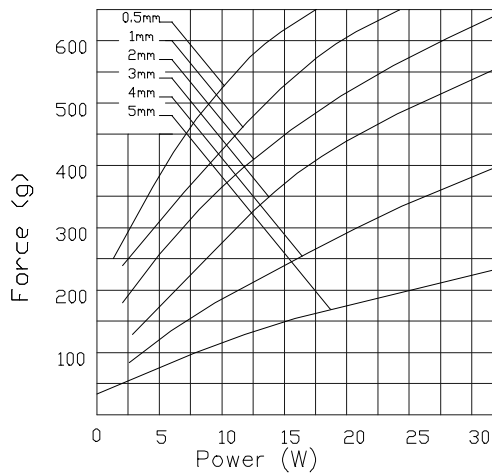
Unit: mm



Stroke and Force



Power and Force



Non-excitation holding force:800g
Standard Coil Specifications

Cont. rating(at20°C):3w

| Voltage(Vdc) | Resistance(Ω) | Current(mA) |
|--------------|---------------|-------------|
| 6 | 12 | 500 |
| 12 | 48 | 250 |
| 24 | 192 | 125 |
| 48 | 768 | 62 |

Total weight : 37g

Plunger weight : 9g