

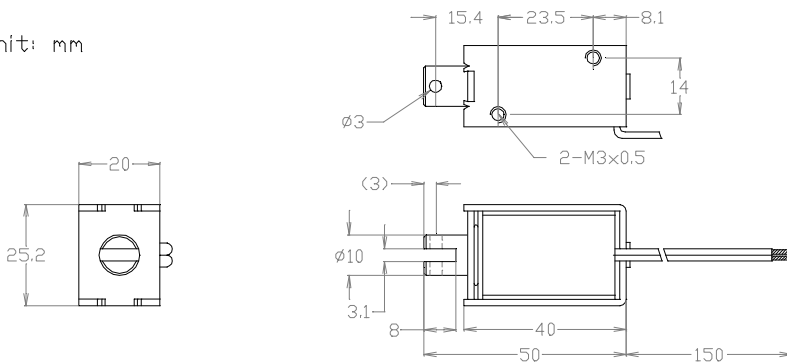
# D-Frame Solenoid

GD1040

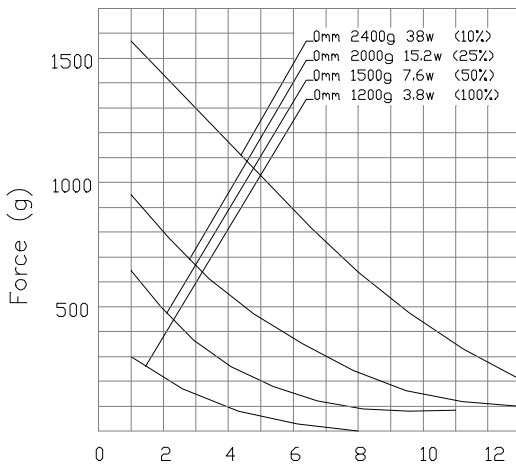


- Pull Type
- Thrust Type
- Flying Leads
- Terminals
- Zinc Plated Frame
- Nickel Plated Plunger
- Customised Plunger Ends
- Customised Fixings
- Optional Voltages

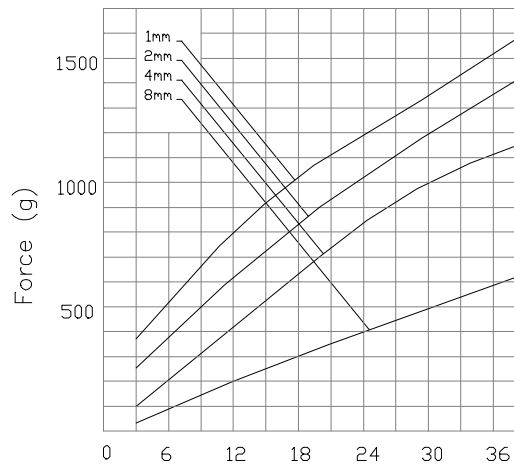
Unit: mm



Stroke and Force



Power and Force



Standard Coil Specifications

Cont. rating(at20°C):3.8w

Voltage(Vdc)	Resistance(Ω)	Current(mA)
6	9.5	632
12	38	316
24	152	158
48	606	79

Total weight : 110g

Plunger weight : 25g

St Helen Auckland, Bishop Auckland,  
Co. Durham. DL14 9AA England  
Tel: + 44 (0)1388 604000  
Fax: + 44 (0)1388 607666  
Email: enquiries@mechetronics.co.uk  
Web: www.mechetronics.com

