



Miniature On-Board Display Indicator™

Model CI 25



FEATURES

- Compact P.C. Board Mounting
- Latching Display
- Low Cost
- For Use in Industrial and Medical Applications
- High Visibility
- Withstands multiple autoclave operations

Designed for P.C. board mounting, the CI 25 indicator is a miniature single coil magnetic latching drum indicator. It features a nonvolatile drum display that provides positive indication of a fault condition and excellent visibility in high ambient light.

The Model CI 25 was designed to provide a low cost solution to monitoring fault conditions or end-of-use indication. This rugged design offers the reliability of much more expensive devices while providing long life in the harshest of environments.

Operation

When the indicator coil is energized, the highly visible drum changes position and latches to the magnetic core. The drum will remain magnetically latched to the core in the position last pulsed. Even if the fault signal is removed, the indicator will “remember” that a fault had occurred.

ELECTRICAL SPECIFICATIONS

Standard Coil Voltage and Resistance Values
Resistance shown at room temperature.

Nominal Voltage (VDC)	3	5	12
Coil Resistance (Ohms)	5.34	14.6	81.3

Dielectric Strength: 100 VAC RMS

Nom. Operating Pulse Power: .900 watts

Operating Pulse Length: 50 milliseconds min.

Reset Pulse Length: 50 milliseconds min.

MECHANICAL SPECIFICATIONS

Coil Support: Molded Ultem

Mounting: Four .025 square pins.

Weight: 1.2 grams

Display Colors: White, Yellow, Green, or Red

Other colors available upon request. Medical-grade ink used.

Transtech Type: RNT

ENVIRONMENTAL SPECIFICATIONS

Operating Temperature Range: -40°C to +134°C

100% RH under 30 PSI.

Operational Life: 500,000 cycles

ORDERING INFORMATION

When ordering, show model number first followed by the voltage range and then the set color and reset color. If this is a special part, customer's modification number will be added at the end of the ordering number.

Example: A basic model with a 5 volt source, yellow set color and a black reset color would be CI25-5-Y/BLK.

CI 25 - 5 - Y/BLK - S

Basic Model Number	Coil Voltage	Fault or Set Color	Reset Color	Customer's Modification Number if Special
CI 25	3	BLK Black	BLK Black	S.+ ID No.
	5	G Green	G Green	
	12	R Red	R Red	
		W White	W White	
		Y Yellow	Y Yellow	

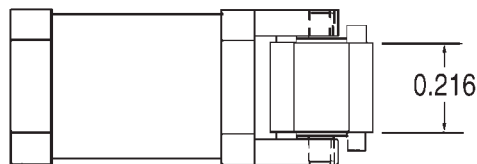


Miniature On-Board Display Indicator

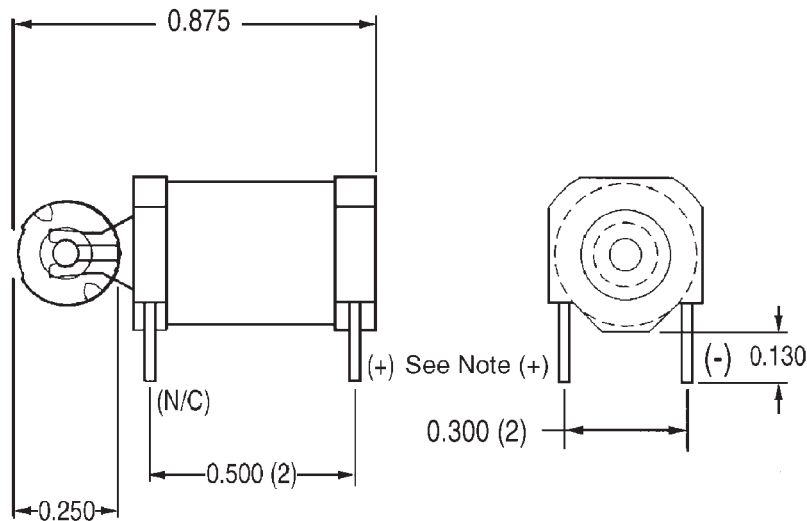
Model CI 25



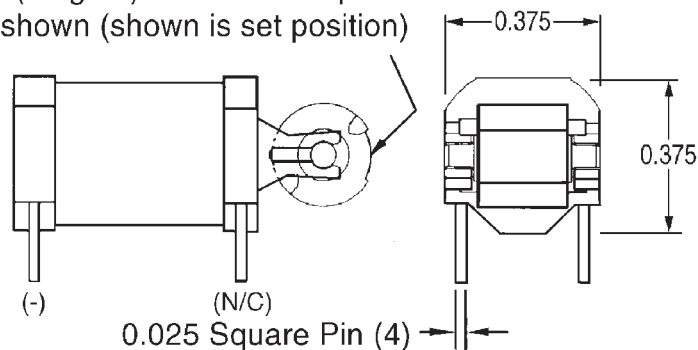
NOTE: Polarity shown for set position reverse polarity for reset.
Dimensions are for reference.



Top



Rotor (magnet) All black except for
area shown (shown is set position)



NOTE:
Dimensions in () are mm. Tolerances: Decimals: $\pm .010$ (0,25) Fractions: $\pm 1/64$

Large Display Status Indicator

Type CI 75 (Single Coil)

Type CID 75 (Dual Coil)

For Industrial Applications



communications
Electrodynamics, Inc.



FEATURES

- Large 3/4" display
- Visible in bright light or in dimly lit area
- No bulbs to replace
- Low power usage
- No power needed when latched in either position
- Low cost
- Strong Magnetic memory

The CI series large display status indicator features a highly visible dual color internal flag. Available in single and dual coil models. For industrial applications demanding large displays while subjected to outdoor elements, high ambient light areas and remote areas requiring low power drain.

USE FOR LARGE DISPLAY PANELS, FAULT WARNING SYSTEMS, OUTDOOR APPLICATIONS OR IN OTHER BRIGHTLY LIT AREAS, AND WHERE LOW POWER DRAIN IS REQUIRED.

OPERATION

When the indication coil is energized by a 50 millisecond or longer pulse, color display flips 180 degrees and latches to coil core. Display will remain magnetically latched to the core in the position last pulsed. Even if the signal is removed, indicator will "remember" the signal instruction.

Reset to black is accomplished electrically by pulsing a separate reset coil or by reversing polarity in the single coil unit. The display then remains magnetically latched to the core and remains black.

ELECTRICAL SPECIFICATIONS

Standard Coil Voltage and Resistance Values

Nominal Voltage DC	Operating Voltage		DC Coil Resistance in Ohms, ±10%
	Min	Max	
5	4.5	5.5	30*
6	5.5	6.5	41*
12	11.0	13.0	150*
20	18.0	22.0	460*
24	21.0	27.0	660*
28	25.0	31.0	875*

* Resistance for coil for dual coil (CID 75) units is approximately one-half the value listed for single coil, all models.

Nominal Operating Pulse Power (at 25° C): 900 mw (CI 75); 1.8 w (CID 75). Designed for pulse operation.

Operating Pulse Length: 50 ms min.

Reset Pulse Length: 50 ms min. (Max. "On" time 50%)

Dielectric Withstanding Voltage: 100 VDC coil to coil, for dual coil units. 500 VDC, terminals to mounting panel.

MECHANICAL SPECIFICATIONS

Case: Molded plastic, clear viewing lens.

Mounting: Spring retainer, supplied with unit.

Weight: 30 grams

Display Colors: Orange (set) and Black (reset).

Other colors or legends available.

ENVIRONMENTAL SPECIFICATIONS

Operating Temperature Range: -20°C to 85°C.

Operational Life: 10,000 cycles minimum.

ORDERING INFORMATION When ordering, show model number first, then coil voltage desired, then the color combination desired. If this is a special part, factory assigned modification number will be added at the end of the ordering number.

Example:
Single coil unit for 12 volt with orange for set and black for reset would specify CI 75-12-0/Blk.

CI 75 - 12 - O / B - S				
Basic Model Number	Coil Voltage	Fault or Set Color	Reset Color	Factory Modification Number if Special S.+ ID No.
CI75	5	O Orange	BLK Black	
CID75	6	R Red	BLK Black	
	12			
	20			
	24			
	28			



Large Display Status Indicator

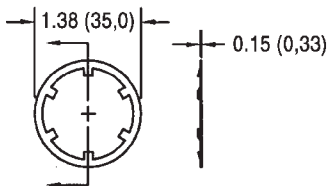
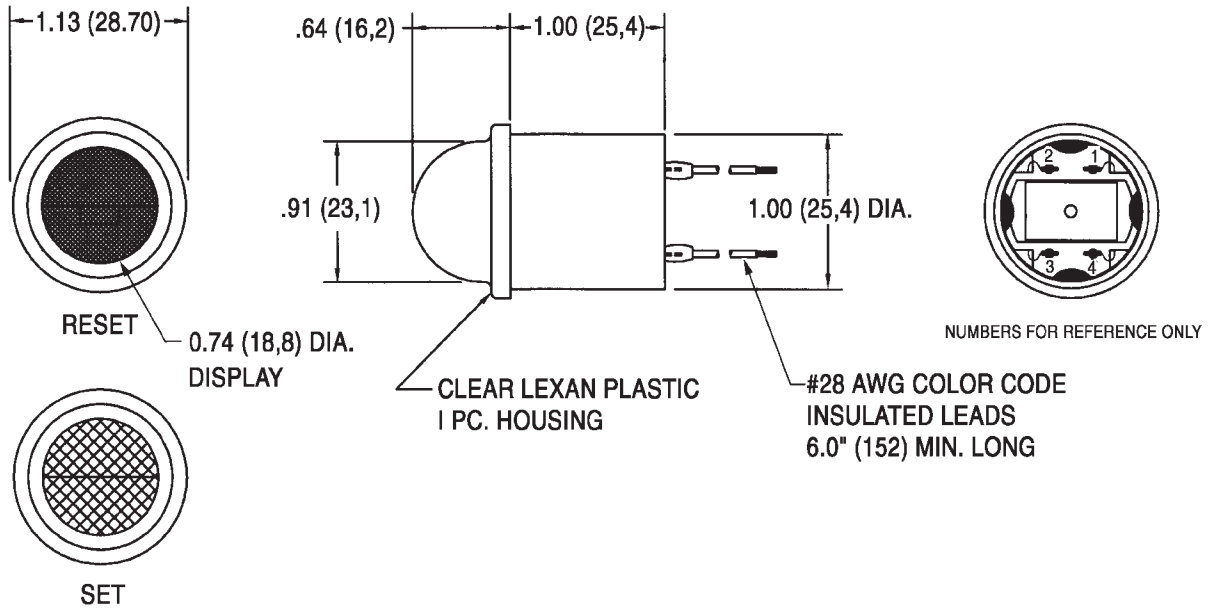
Type CI 75 (Single Coil)

Type CID 75 (Dual Coil)

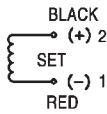
For Industrial Application



FLAG INDICATORS

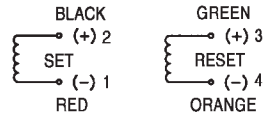


NOTE
SPRING RETAINER CLIP FOR MOUNTING
TO PANEL IS SUPPLIED WITH UNIT



SCHEMATIC
SINGLE COIL

TO RESET, REVERSE POLARITY
OF APPLIED VOLTAGE



SCHEMATIC
DUAL COIL

NOTE:
Dimensions in () are mm. Tolerances: Decimals: ± .020 (0,50)