

Key Features

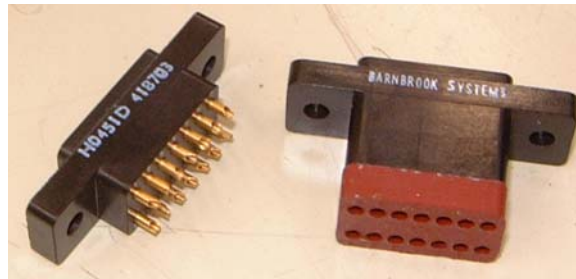
Relay Sockets are available for the majority of relays as shown below

Socket for LF Relay
Part Number –
19775

NSN 5935-99-624-0295



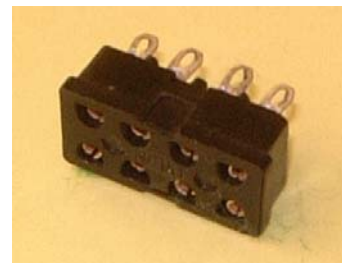
Socket for HDD4
Part Number –
418538 (Non Environmental)
418665 (With Cable Support)
418703 (Solder Contacts)



Socket for CECC16101-038 F, HDD1,
HDS5 & HDS8,
Part Number –
420204 (Crimp Contacts)
4223-1 (Solder Contacts)

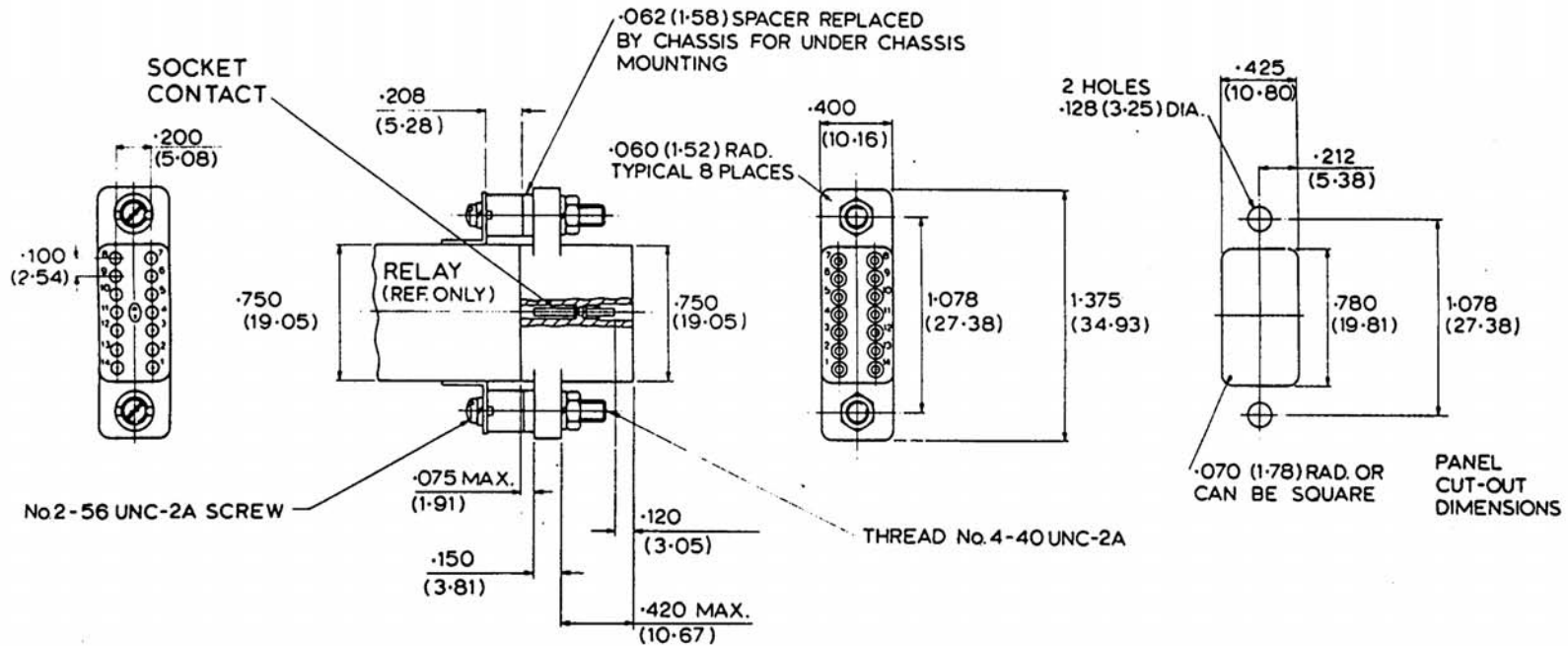


Socket for RL Relay
Part Number -
9005 (Solder Bucket)



Data Sheet No
DSSKTS-0105

SHEET 1 OF 1

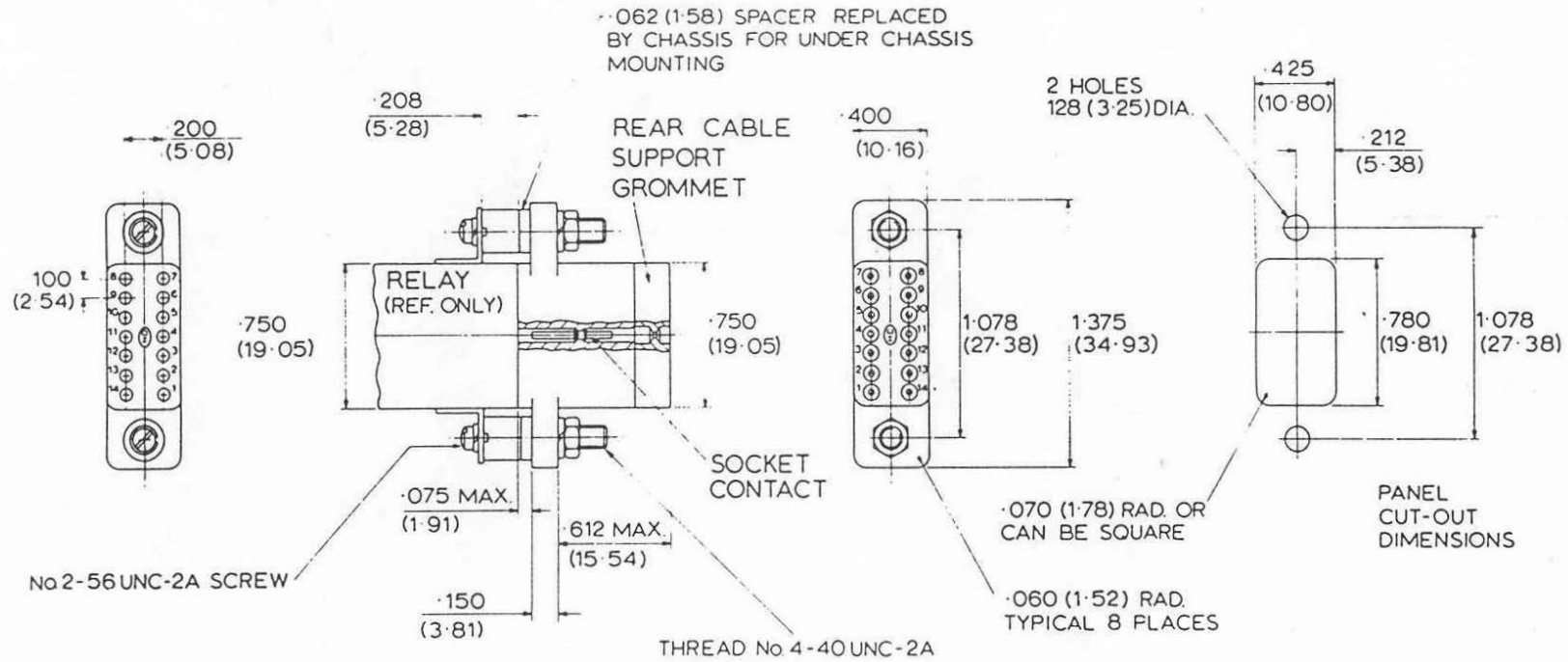


Material: Glass-filled phenolic

CONTACT PART NUMBER	418540
INSERTION TOOL	M15513-22A
REMOVAL TOOL	M15515-22P/S
CRIMPING TOOL	MH800
LOCATOR STOP	K5

- NOTES:
1. SOCKET SUPPLIED COMPLETE WITH QTY. 14 CONTACTS AND SET OF MOUNTING HARDWARE.
 2. CONTACTS SUITABLE FOR SIZE 22/24 WIRE (19,006 OR 7,0076).
 3. WIRE MAXIMUM OVERALL DIAMETER MUST NOT EXCEED .054 IN. (1.3 MM.).

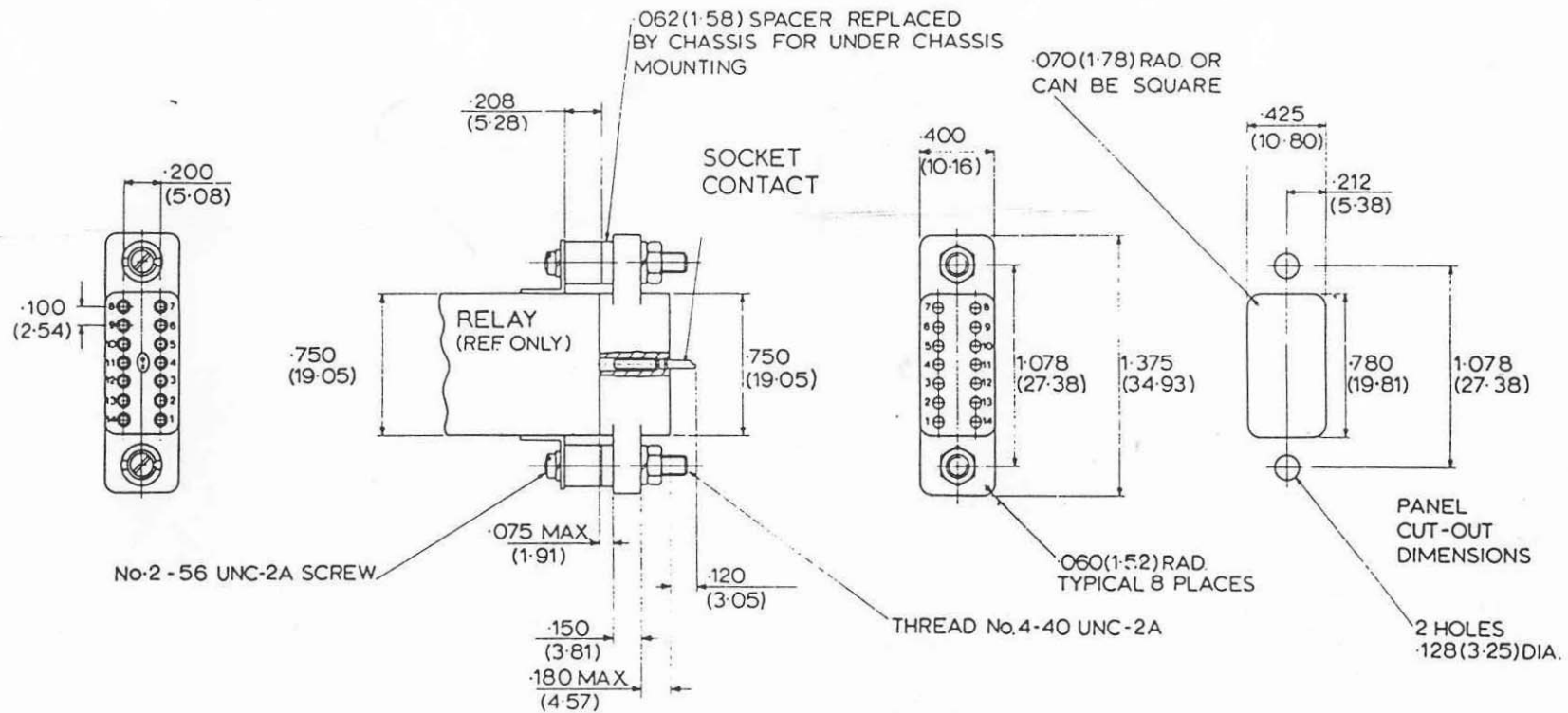
14 WAY RELAY SOCKET
 Part Number : 418538
 Catalogue Number HD 296



CONTACT PART NUMBER	418540
INSERTION TOOL	M15513-22A
REMOVAL TOOL	M15515-22P/S
CRIMPING TOOL	M800
LOCATOR STOP	K5

- NOTES:
1. SOCKET SUPPLIED COMPLETE WITH QTY. 14 CONTACTS AND SET OF MOUNTING HARDWARE.
 2. CONTACTS SUITABLE FOR SIZE 22/24 WIRE (19/.006 OR 7/.0076)
 3. WIRE MAXIMUM OVERALL DIAMETER MUST NOT EXCEED .054 IN. (1.3 MM.).

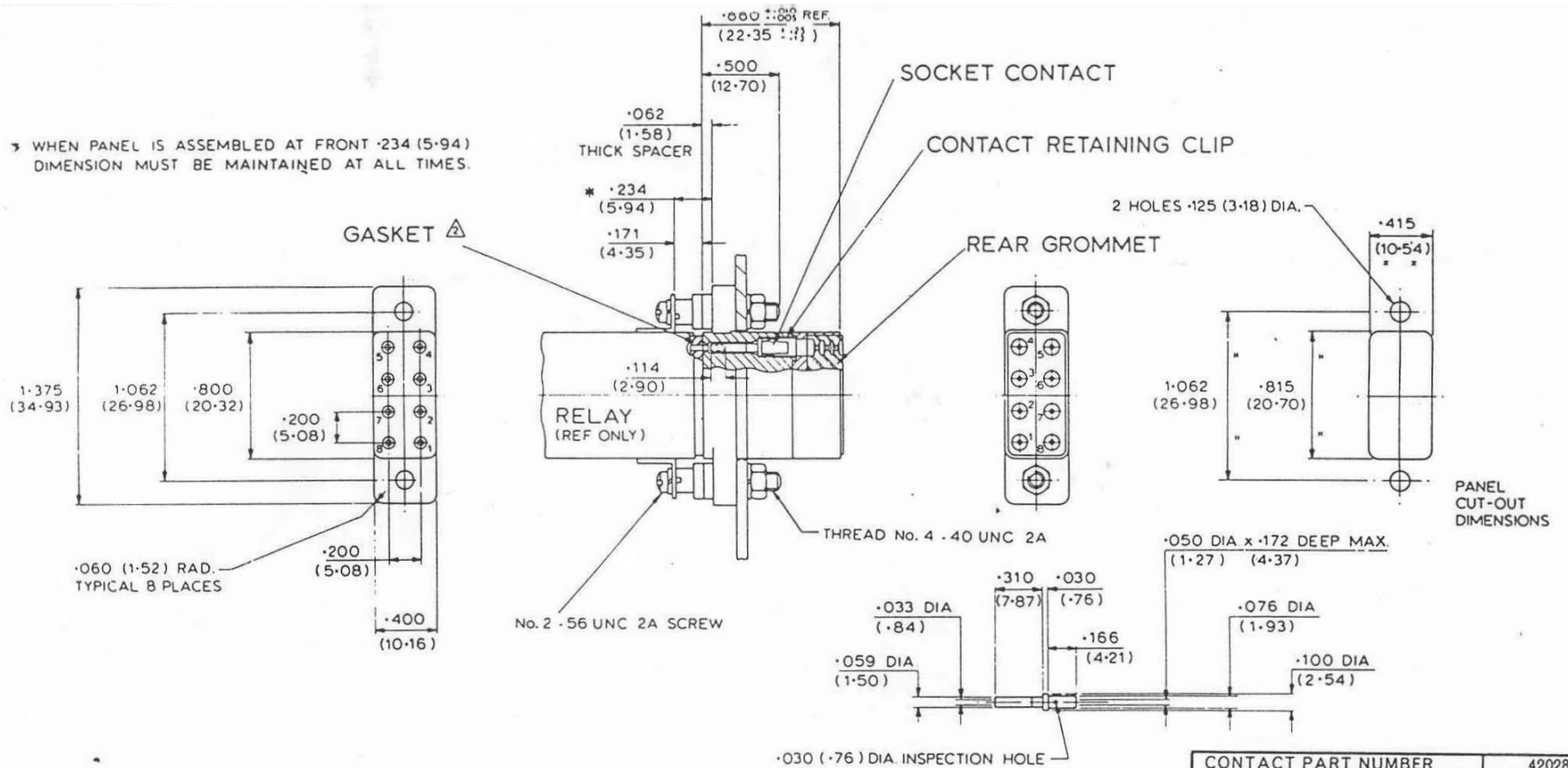
MATERIAL Socket body, glass-filled phenolic. Grommet, fluorinated silicone rubber.	Catalogue No HD296	14 WAY RELAY SOCKET (CRIMPED CONTACTS WITH REAR GROMMET)	AERCO: +44 (0)1403 260206
	Date 9.69		



NOTES: 1. SOCKET SUPPLIED COMPLETE WITH SET OF MOUNTING HARDWARE.
 2. CONTACTS SUITABLE FOR SIZE 22/24 WIRE (19/.006 OR 7/.0076).

MATERIAL Glass-filled phenolic.	Catalogue No HD296	14 WAY RELAY SOCKET (SOLDERED CONTACTS)	AERCO: +44 (0)1403 260206
	Date 9.69		

3 WHEN PANEL IS ASSEMBLED AT FRONT .234 (5-94) DIMENSION MUST BE MAINTAINED AT ALL TIMES.

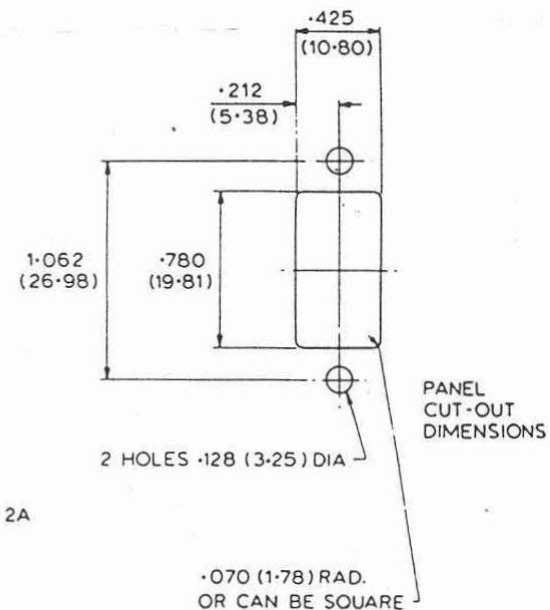
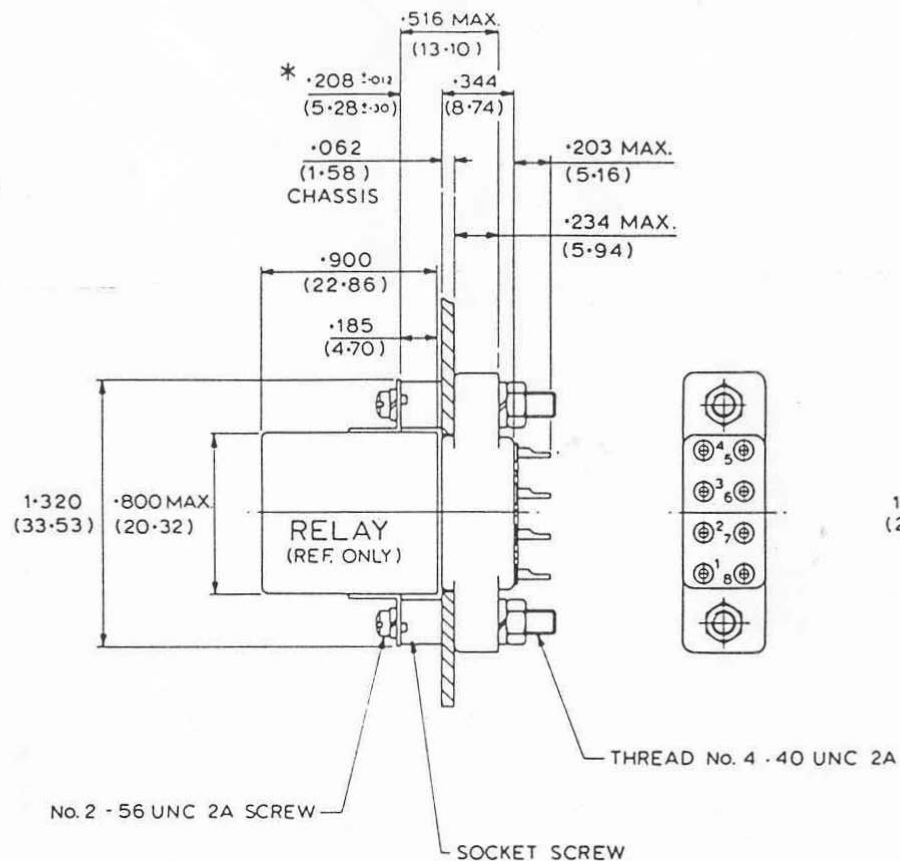
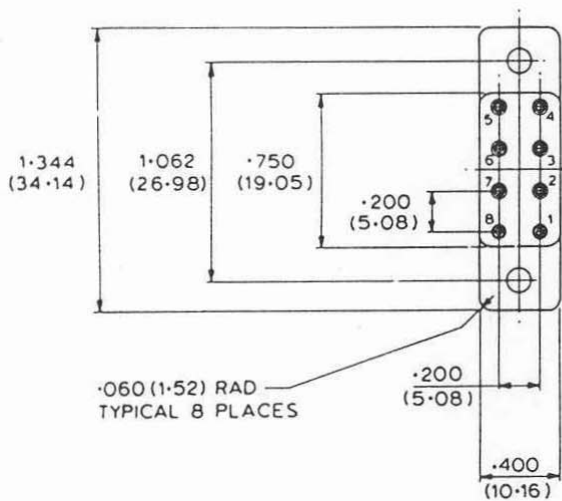


- NOTES: 1 SOCKET SUPPLIED COMPLETE WITH QTY. 8 CONTACTS
 QTY. 3 FILLER PLUGS, SET OF MOUNTING HARDWARE AND QTY. 1 INSERTION/EXTRACTION TOOL
 2 GASKET PART NO. 420282 SHOULD BE ORDERED AS A SEPARATE PART.
 3 WIRE SEALING RANGE .040 IN. TO .083 IN.

CONTACT PART NUMBER	420280
INSERTION/EXTRACTION TOOL	M15570
CRIMPING TOOL	HD16/20-15500
LOCATOR STOP	15500-20/29
FILLER PLUG	4113-4-2001 or 419205
GASKET	42028 2
PROBE TOOL	420010

MATERIAL Body, glass-filled phenolic. Seals, fluorinated silicone rubber.	Catalogue No HD281	8 WAY RELAY SOCKET (CRIMPED CONTACTS ENVIRONMENTAL)	AERCO: +44 (0)1403 260206
	Date 9.69		

* WHEN CHASSIS IS MOUNTED AT REAR .062 (1.58) SPACER MUST BE USED TO MAINTAIN .208 (5.28) DIMENSION.



NOTES: 1. SOCKET SUPPLIED COMPLETE WITH SET OF MOUNTING HARDWARE.

MATERIAL Diallyl phthalate	Catalogue No HD296	8 WAY RELAY SOCKET (SOLDERED CONTACTS)	AERCO: +44 (0)1403 260206
	Date 9.69		
			4223-1