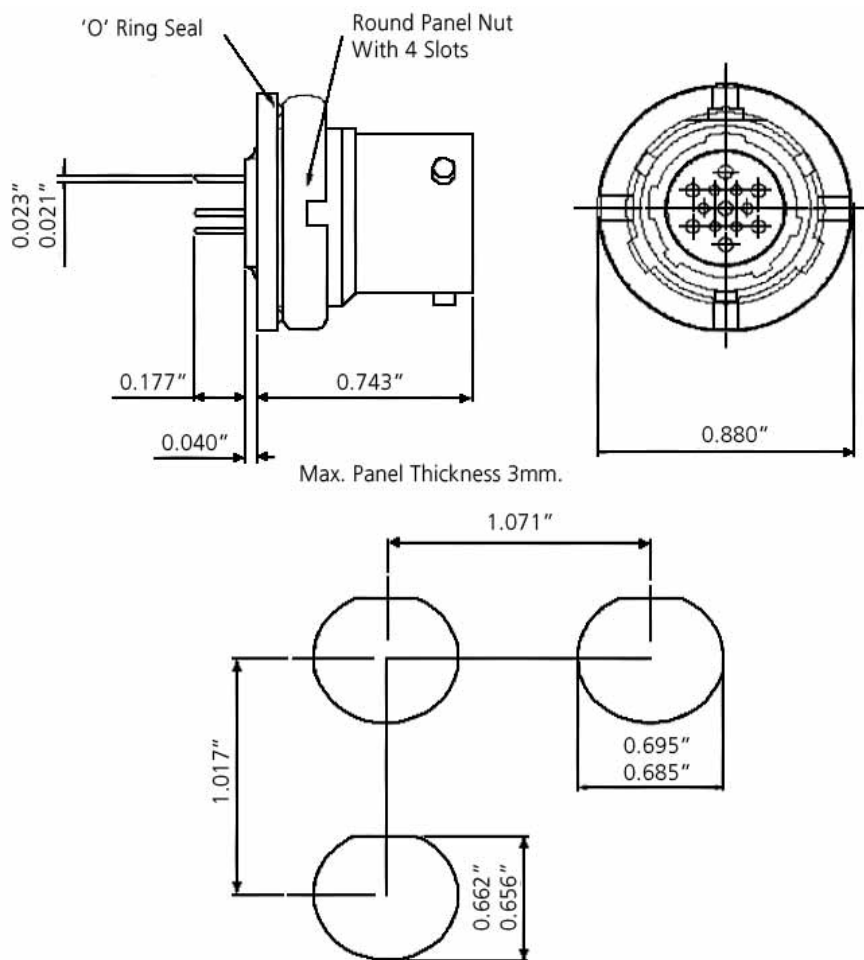


AB06-3100-10-76-SF-152

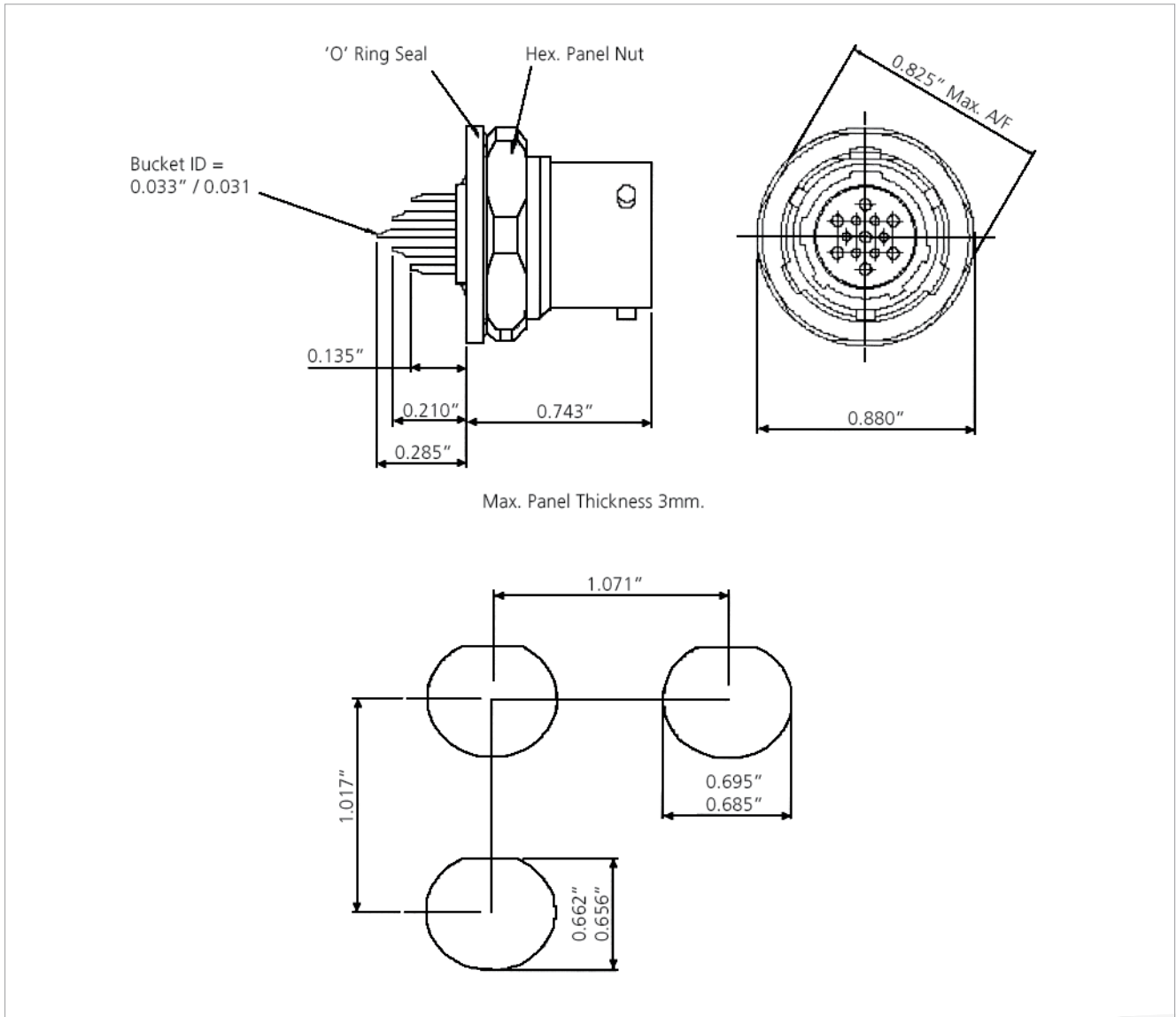
receptacle, panel mounting with PC printed circuit terminals



All measurements in mm.

AB06-3100-10-76-SF-221

receptacle, panel cut out detail with solder contacts



All measurements in mm.

