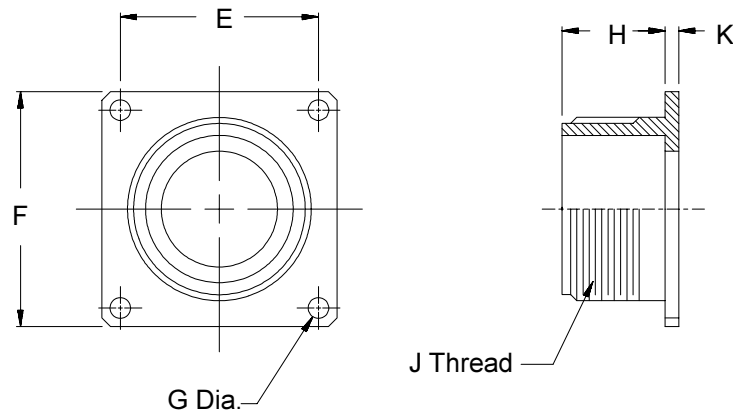


MIL-C-5015

Basic Part No. 650BS001 B 20
 Finish (Table II) _____
 Shell Size _____



See inside back cover fold-out or page 14 for Table II.

TABLE III									
Shell Size	J Thread Class 2A	E	F Max	G	H Max	K Max			
08S	1/2 -28 UNEF	.594 (15.1)	.906 (23.0)	.120 (3.0)	.593 (15.1)	.156 (4.0)			
10S	5/8 -24 UNEF	.719 (18.3)	1.031 (26.2)	.120 (3.0)	.593 (15.1)	.156 (4.0)			
12S	3/4 -20 UNEF	.812 (20.6)	1.125 (28.6)	.120 (3.0)	.593 (15.1)	.156 (4.0)			
12	3/4 -20 UNEF	.812 (20.6)	1.125 (28.6)	.120 (3.0)	.781 (19.8)	.156 (4.0)			
14S	7/8 -20 UNEF	.906 (23.0)	1.219 (31.0)	.120 (3.0)	.593 (15.1)	.156 (4.0)			
14	7/8 -20 UNEF	.906 (23.0)	1.219 (31.0)	.120 (3.0)	.781 (19.8)	.156 (4.0)			
16S	1 -20 UNEF	.969 (24.6)	1.312 (33.3)	.120 (3.0)	.593 (15.1)	.156 (4.0)			
16	1 -20 UNEF	.969 (24.6)	1.312 (33.3)	.120 (3.0)	.781 (19.8)	.156 (4.0)			
18	1 1/8 -18 UNEF	1.062 (27.0)	1.406 (35.7)	.120 (3.0)	.781 (19.8)	.203 (5.2)			
20	1 1/4 -18 UNEF	1.156 (29.4)	1.531 (38.9)	.120 (3.0)	.781 (19.8)	.203 (5.2)			
22	1 3/8 -18 UNEF	1.250 (31.8)	1.656 (42.1)	.120 (3.0)	.781 (19.8)	.203 (5.2)			
24	1 1/2 -18 UNEF	1.375 (34.9)	1.781 (45.2)	.147 (3.7)	.843 (21.4)	.203 (5.2)			
28	1 3/4 -18 UNS	1.562 (39.7)	2.031 (51.6)	.147 (3.7)	.843 (21.4)	.203 (5.2)			
32	2 -18 UNS	1.750 (44.5)	2.281 (57.9)	.173 (4.4)	.906 (23.0)	.359 (9.1)			
36	2 1/4 -16 UN	1.938 (49.2)	2.531 (64.3)	.173 (4.4)	.906 (23.0)	.359 (9.1)			
40	2 1/2 -16 UN	2.188 (55.6)	2.781 (70.6)	.173 (4.4)	.906 (23.0)	.359 (9.1)			
44	2 3/4 -16 UN	2.375 (60.3)	3.031 (77.0)	.173 (4.4)	.906 (23.0)	.359 (9.1)			
48	3 -16 UN	2.625 (66.7)	3.281 (83.3)	.173 (4.4)	.906 (23.0)	.359 (9.1)			

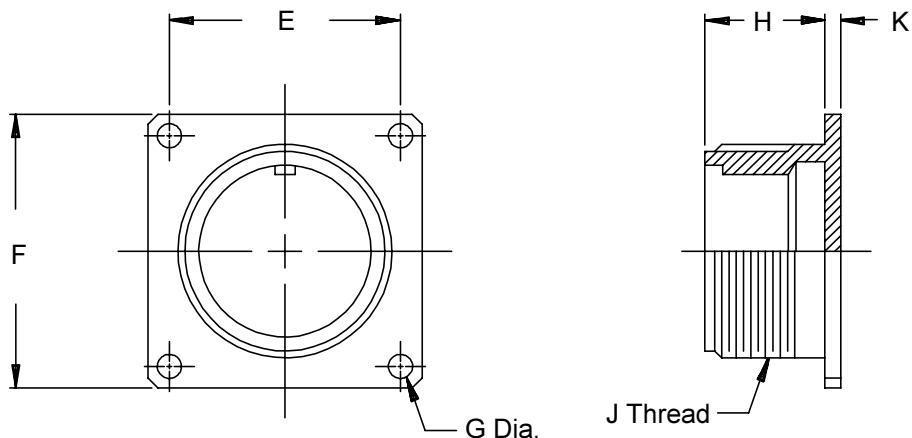
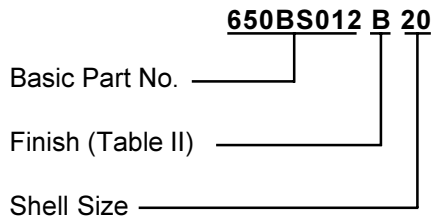
1. For complete dimensions see Mil-C-5015.
2. Metric dimensions (mm) are indicated in parentheses.

Series 65 Dummy Stowage Receptacles



65

MIL-C-5015



See inside back cover fold-out or page 14 for Table II.

TABLE III									
Shell Size	J Thread Class 2A	E	F Max	G	H Max	K Max			
08S	1/2 -28 UNEF	.594 (15.1)	.906 (23.0)	.120 (3.0)	.593 (15.1)	.156 (4.0)			
10S	5/8 -24 UNEF	.719 (18.3)	1.031 (26.2)	.120 (3.0)	.593 (15.1)	.156 (4.0)			
12S	3/4 -20 UNEF	.812 (20.6)	1.125 (28.6)	.120 (3.0)	.593 (15.1)	.156 (4.0)			
12	3/4 -20 UNEF	.812 (20.6)	1.125 (28.6)	.120 (3.0)	.781 (19.8)	.156 (4.0)			
14S	7/8 -20 UNEF	.906 (23.0)	1.219 (31.0)	.120 (3.0)	.593 (15.1)	.156 (4.0)			
14	7/8 -20 UNEF	.906 (23.0)	1.219 (31.0)	.120 (3.0)	.781 (19.8)	.156 (4.0)			
16S	1 -20 UNEF	.969 (24.6)	1.312 (33.3)	.120 (3.0)	.593 (15.1)	.156 (4.0)			
16	1 -20 UNEF	.969 (24.6)	1.312 (33.3)	.120 (3.0)	.781 (19.8)	.156 (4.0)			
18	1 1/8 -18 UNEF	1.062 (27.0)	1.406 (35.7)	.120 (3.0)	.781 (19.8)	.203 (5.2)			
20	1 1/4 -18 UNEF	1.156 (29.4)	1.531 (38.9)	.120 (3.0)	.781 (19.8)	.203 (5.2)			
22	1 3/8 -18 UNEF	1.250 (31.8)	1.656 (42.1)	.120 (3.0)	.781 (19.8)	.203 (5.2)			
24	1 1/2 -18 UNEF	1.375 (34.9)	1.781 (45.2)	.147 (3.7)	.843 (21.4)	.203 (5.2)			
28	1 3/4 -18 UNS	1.562 (39.7)	2.031 (51.6)	.147 (3.7)	.843 (21.4)	.203 (5.2)			
32	2 -18 UNS	1.750 (44.5)	2.281 (57.9)	.173 (4.4)	.906 (23.0)	.359 (9.1)			
36	2 1/4 -16 UN	1.938 (49.2)	2.531 (64.3)	.173 (4.4)	.906 (23.0)	.359 (9.1)			
40	2 1/2 -16 UN	2.188 (55.6)	2.781 (70.6)	.173 (4.4)	.906 (23.0)	.359 (9.1)			
44	2 3/4 -16 UN	2.375 (60.3)	3.031 (77.0)	.173 (4.4)	.906 (23.0)	.359 (9.1)			
48	3 -16 UN	2.625 (66.7)	3.281 (83.3)	.173 (4.4)	.906 (23.0)	.359 (9.1)			

1. For complete dimensions see Mil-C-5015.
2. Metric dimensions (mm) are indicated in parentheses.

MIL-C-26482

MIL-C-83723
Series 1 Bayonet

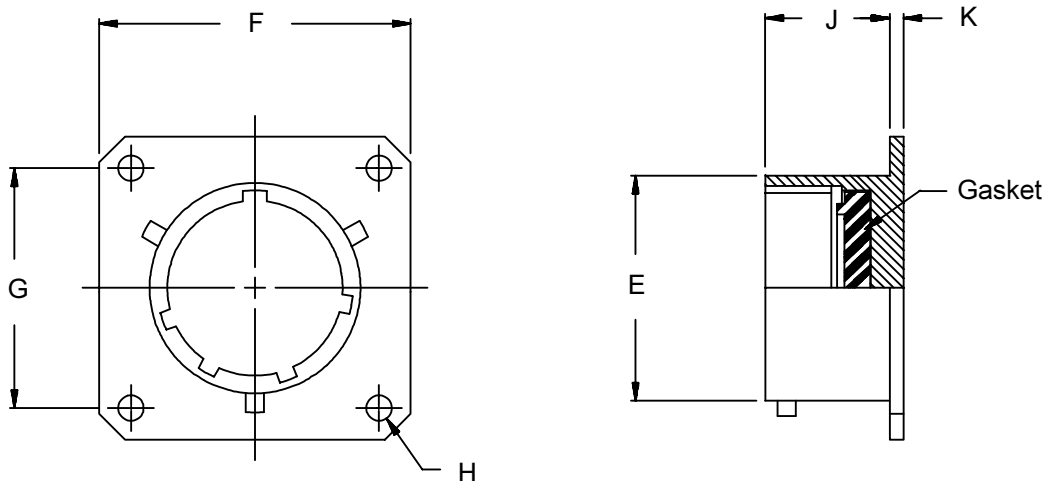
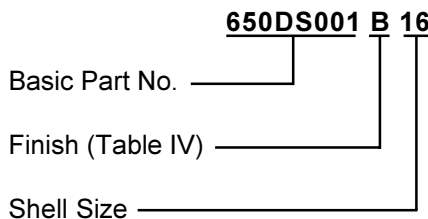


TABLE III

Shell Size	E Dia	F Max	G	H Dia		J	K
				±.010	(0.3)		
08	.471 (12.0)	.828 (21.0)	.594 (15.1)	.120	(3.0)	.478 (12.1)	.062 (1.6)
10	.588 (14.9)	.954 (24.2)	.719 (18.3)	.120	(3.0)	.478 (12.1)	.062 (1.6)
12	.748 (19.0)	1.047 (26.6)	.812 (20.6)	.120	(3.0)	.478 (12.1)	.062 (1.6)
14	.873 (22.2)	1.141 (29.0)	.906 (23.0)	.120	(3.0)	.478 (12.1)	.062 (1.6)
16	.998 (25.3)	1.234 (31.3)	.969 (24.6)	.120	(3.0)	.478 (12.1)	.062 (1.6)
18	1.123 (28.5)	1.328 (33.7)	1.062 (27.0)	.120	(3.0)	.478 (12.1)	.062 (1.6)
20	1.248 (31.7)	1.453 (36.9)	1.156 (29.4)	.120	(3.0)	.572 (14.5)	.094 (2.4)
22	1.373 (34.9)	1.578 (40.1)	1.250 (31.8)	.120	(3.0)	.572 (14.5)	.094 (2.4)
24	1.498 (38.0)	1.703 (43.3)	1.375 (34.9)	.147	(3.7)	.605 (15.4)	.094 (2.4)

TABLE IV

Finish Symbol	Finish
B	Cadmium Olive Drab
C	Anodize, Black
M	Electroless nickel
NF	500 hr Cadmium Olive Drab

1. For complete dimensions see Military Standard MS3115.
2. Metric dimensions (mm) are indicated in parentheses.

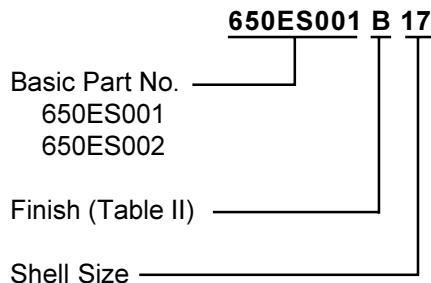
Series 65 Dummy Stowage Receptacles



65

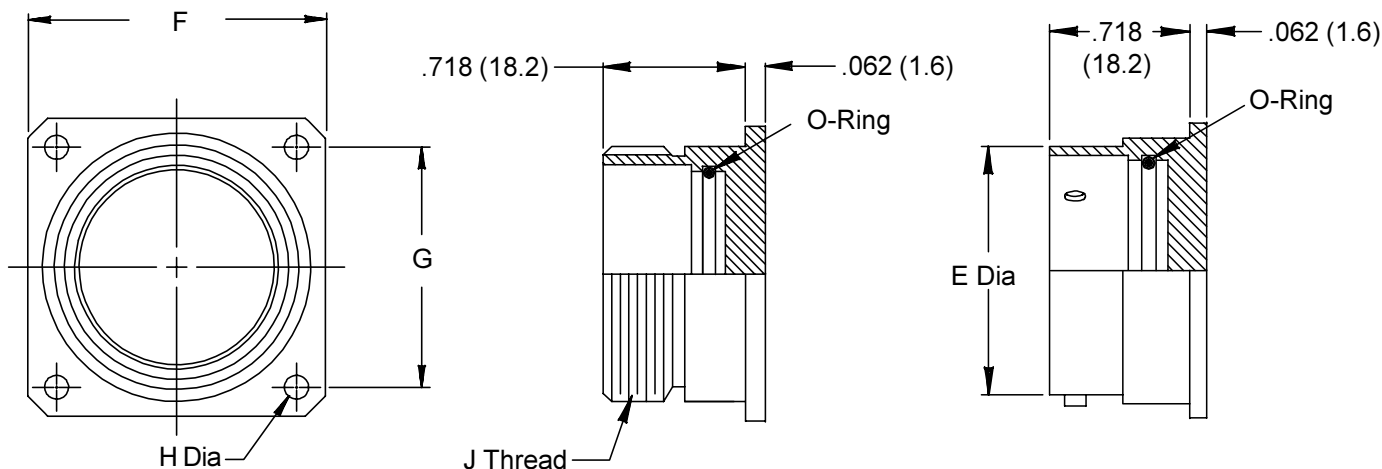
MIL-C-26500

MIL-C-83723
Series 3 Threaded
and Bayonet



650ES001

650ES002



See inside back cover fold-out or page 14 for Table II.

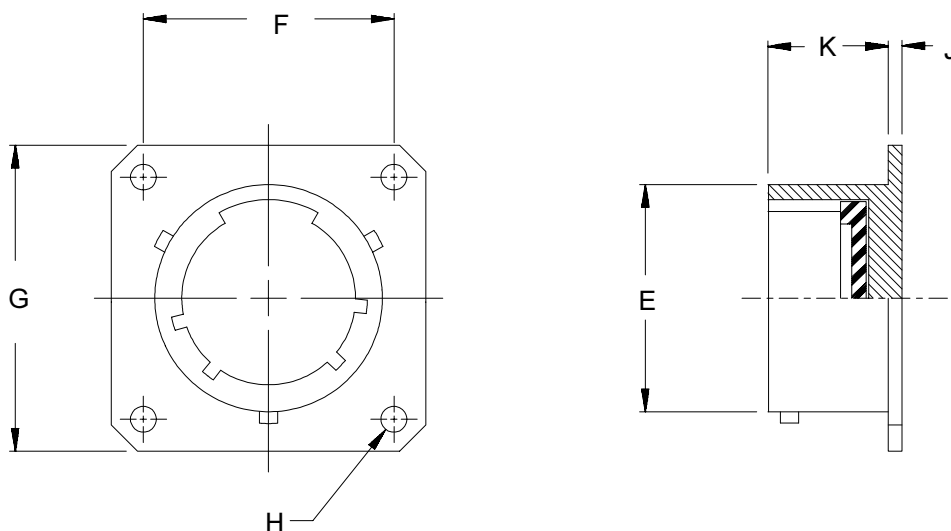
TABLE III								
Shell Size	Shell Size Mil. Ref. *	E Dia	F	G	H Dia	J Thread		
08	7	.536 (13.6)	.812 (20.6)	.594 (15.1)	.125 (3.2)	9/16 - 24 UNEF		
10	1	.659 (16.7)	.637 (16.2)	.719 (18.3)	.125 (3.2)	11/16 - 24 UNEF		
12	2	.829 (21.1)	1.031 (26.2)	.812 (20.6)	.125 (3.2)	7/8 - 20 UNEF		
14	3	.898 (22.8)	1.125 (28.6)	.906 (23.0)	.125 (3.2)	15/16 - 20 UNEF		
16	4	1.025 (26.0)	1.250 (31.8)	.969 (24.6)	.125 (3.2)	1 1/16 - 18 UNEF		
18	5	1.131 (28.7)	1.343 (34.1)	1.062 (27.0)	.125 (3.2)	1 3/16 - 18 UNEF		
20	8	1.256 (31.9)	1.437 (36.5)	1.156 (29.4)	.125 (3.2)	1 5/16 - 18 UNEF		
22	6	1.381 (35.1)	1.562 (39.7)	1.250 (31.8)	.125 (3.2)	1 7/16 - 18 UNEF		
24	9	1.506 (38.3)	1.703 (43.3)	1.375 (34.9)	.154 (3.9)	1 9/16 - 18 UNEF		

* MS27296 and MS27297

Metric dimensions (mm) are indicated in parentheses.

MIL-C-38999 Series I

650FS001 M 17
 Basic Part No. _____
 Finish (Table II) _____
 Shell Size _____



See inside back cover fold-out or page 14 for Table II.

Shell Size	E Max	F	G Max	H Nom	J	K
09	.573 (14.6)	.719 (18.3)	.949 (24.1)	.128 (3.3)	.085 (2.2)	.730 (18.5)
11	.701 (17.8)	.812 (20.6)	1.042 (26.5)	.128 (3.3)	.085 (2.2)	.730 (18.5)
13	.851 (21.6)	.906 (23.0)	1.136 (28.9)	.128 (3.3)	.085 (2.2)	.730 (18.5)
15	.976 (24.8)	.969 (24.6)	1.230 (31.2)	.128 (3.3)	.085 (2.2)	.730 (18.5)
17	1.101 (28.0)	1.062 (27.0)	1.323 (33.6)	.128 (3.3)	.085 (2.2)	.730 (18.5)
19	1.208 (30.7)	1.156 (29.4)	1.449 (36.8)	.128 (3.3)	.085 (2.2)	.730 (18.5)
21	1.333 (33.9)	1.250 (31.8)	1.573 (40.0)	.128 (3.3)	.115 (2.9)	.700 (17.8)
23	1.458 (37.0)	1.375 (34.9)	1.699 (43.2)	.147 (3.7)	.115 (2.9)	.700 (17.8)
25	1.583 (40.2)	1.500 (38.1)	1.823 (46.3)	.147 (3.7)	.115 (2.9)	.700 (17.8)

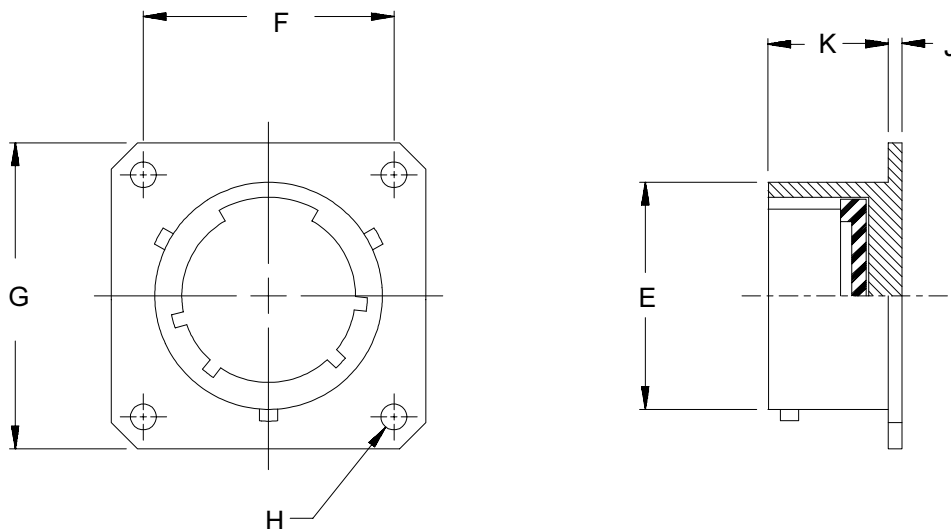
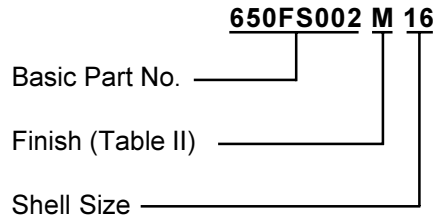
1. For complete dimensions see Military Standard MIL-C-38999 Series I.
2. Metric dimensions (mm) are indicated in parentheses.

Series 65 Dummy Stowage Receptacles



65

MIL-C-38999 Series II



See inside back cover fold-out or page 14 for Table II.

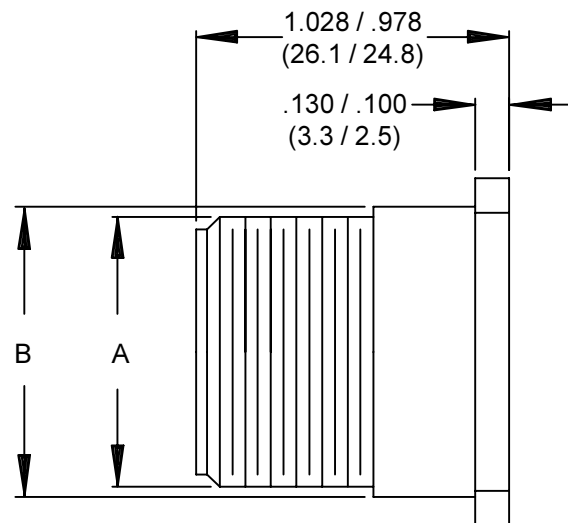
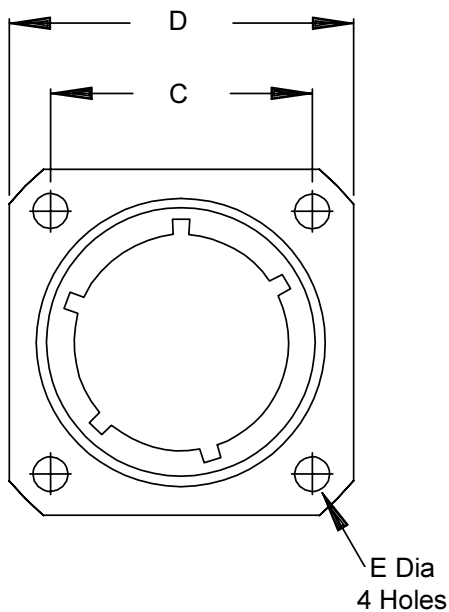
TABLE III						
Shell Size	E Max	F	G Max	H Nom	J	K
08	.474 (12.0)	.594 (15.1)	.823 (20.9)	.120 (3.0)	.063 (1.6)	.449 (11.4)
10	.591 (15.0)	.719 (18.3)	.949 (24.1)	.120 (3.0)	.063 (1.6)	.449 (11.4)
12	.751 (19.1)	.812 (20.6)	1.042 (26.5)	.120 (3.0)	.063 (1.6)	.449 (11.4)
14	.876 (22.3)	.906 (23.0)	1.136 (28.9)	.120 (3.0)	.063 (1.6)	.449 (11.4)
16	1.001 (25.4)	.969 (24.6)	1.230 (31.2)	.120 (3.0)	.063 (1.6)	.449 (11.4)
18	1.126 (28.6)	1.062 (27.0)	1.323 (33.6)	.120 (3.0)	.063 (1.6)	.449 (11.4)
20	1.251 (31.8)	1.156 (29.4)	1.449 (36.8)	.120 (3.0)	.063 (1.6)	.449 (11.4)
22	1.376 (35.0)	1.250 (31.8)	1.573 (40.0)	.120 (3.0)	.063 (1.6)	.449 (11.4)
24	1.501 (38.1)	1.375 (34.9)	1.699 (43.2)	.147 (3.7)	.063 (1.6)	.449 (11.4)

1. For complete dimensions see Military Standard MIL-C-38999 Series II.
2. Metric dimensions (mm) are indicated in parentheses.

MIL-C-28840

650GS001 NF 17

Basic Part No. _____
 Finish (Table II) _____
 Shell Size _____



See inside back cover fold-out or page 14 for Table II.

TABLE III

Shell Size	Shell Size Mil. Ref.	A Dia Max	B Ref. Mtg Hole	C	D Max	E Max
11	A	.750 (19.1)	.812 (20.6)	.750 (19.1)	1.043 (26.5)	.130 (3.3)
13	B	.875 (22.2)	.937 (23.8)	.843 (21.4)	1.158 (29.4)	.130 (3.3)
15	C	1.062 (27.0)	1.124 (28.5)	.968 (24.6)	1.278 (32.5)	.130 (3.3)
17	D	1.125 (28.6)	1.187 (30.1)	1.015 (25.8)	1.403 (35.6)	.130 (3.3)
19	E	1.312 (33.3)	1.375 (34.9)	1.140 (29.0)	1.528 (38.8)	.130 (3.3)
23	F	1.500 (38.1)	1.562 (39.7)	1.281 (32.5)	1.738 (44.1)	.130 (3.3)
25	G	1.625 (41.3)	1.687 (42.8)	1.392 (35.4)	1.838 (46.7)	.157 (4.0)
29	H	1.812 (46.0)	1.874 (47.6)	1.568 (39.8)	2.158 (54.8)	.157 (4.0)
33	J	2.000 (50.8)	2.062 (52.4)	1.734 (44.0)	2.348 (59.6)	.183 (4.6)

Metric dimensions (mm) are indicated in parentheses.

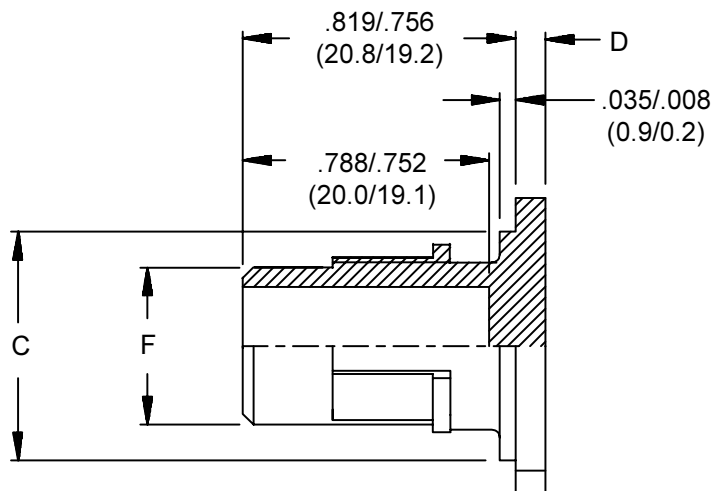
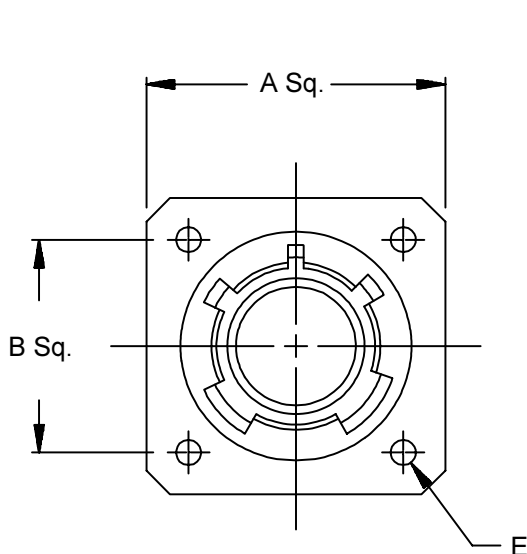
Series 65 Dummy Stowage Receptacles



65

MIL-C-38999
Series IV
Universal
Polarization

650HS007 M 19
Basic Part No. _____
Finish (Table II) _____
Shell Size _____



See inside back cover fold-out or page 14 for Table II.

TABLE III

Shell Size	Shell Size Code	A Max	B BSC	C		D	E		F	
				+ 0 -0.15	(0.0) (-0.4)		+ 0 -0.06	(0.0) (-0.2)		
11	B	1.051 (26.7)	.812 (20.6)	.793 (20.1)	(0.0)	.094 (2.4)	.132 (3.4)	.509 (12.9)		
13	C	1.146 (29.1)	.906 (23.0)	.919 (23.3)	(0.0)	.094 (2.4)	.132 (3.4)	.634 (16.1)		
15	D	1.240 (31.5)	.969 (24.6)	1.044 (26.5)	(0.0)	.094 (2.4)	.132 (3.4)	.759 (19.3)		
17	E	1.335 (33.9)	1.062 (27.0)	1.170 (29.7)	(0.0)	.094 (2.4)	.132 (3.4)	.885 (22.5)		
19	F	1.461 (37.1)	1.156 (29.4)	1.294 (32.9)	(0.0)	.094 (2.4)	.132 (3.4)	1.009 (25.6)		
21	G	1.583 (40.2)	1.250 (31.8)	1.419 (36.0)	(0.0)	.126 (3.2)	.132 (3.4)	1.134 (28.8)		
23	H	1.709 (43.4)	1.375 (34.9)	1.544 (39.2)	(0.0)	.126 (3.2)	.152 (3.9)	1.259 (32.0)		
25	J	1.835 (46.6)	1.500 (38.1)	1.669 (42.4)	(0.0)	.126 (3.2)	.152 (3.9)	1.384 (35.2)		

1. Equivalent to DOD-C-38999/50.
2. Metric dimensions (mm) are indicated in parentheses.

MIL-C-38999
Series III

650HS010 B 17
 Basic Part No. _____
 Finish (Table II) _____
 Shell Size _____

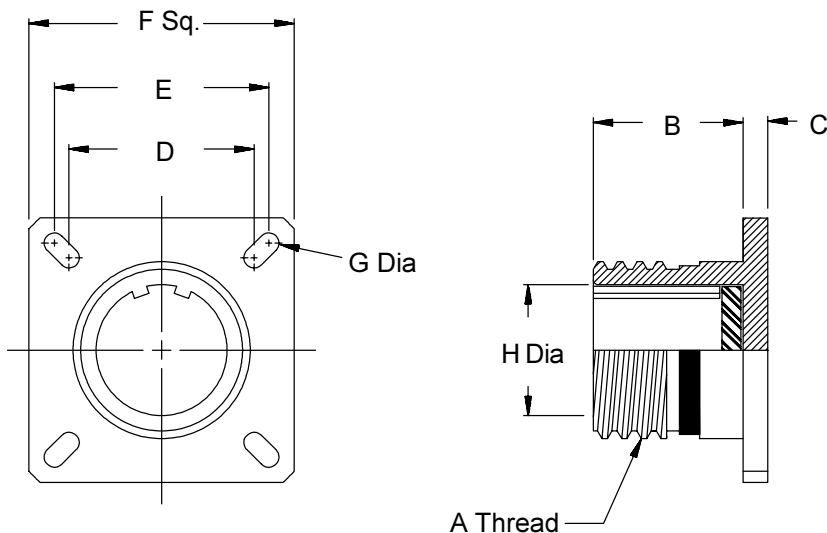


TABLE III

Shell Size	Shell Size Code	A Thread	B Max	C Max	D
09	A	.625-.1P-3LTS	.843 (21.4)	.110 (2.8)	.594 (15.1)
11	B	.750-.1P-3LTS	.843 (21.4)	.110 (2.8)	.719 (18.3)
13	C	.875-.1P-3LTS	.843 (21.4)	.110 (2.8)	.812 (20.6)
15	D	1.000-.1P-3LTS	.843 (21.4)	.110 (2.8)	.906 (23.0)
17	E	1.187-.1P-3LTS	.843 (21.4)	.110 (2.8)	.969 (24.6)
19	F	1.250-.1P-3LTS	.843 (21.4)	.110 (2.8)	1.062 (27.0)
21	G	1.375-.1P-3LTS	.811 (20.6)	.137 (3.5)	1.156 (29.4)
23	H	1.500-.1P-3LTS	.811 (20.6)	.137 (3.5)	1.250 (31.8)
25	J	1.625-.1P-3LTS	.811 (20.6)	.137 (3.5)	1.375 (34.9)

See inside back
cover fold-out or
page 14 for Table II.

Metric dimensions (mm) are
indicated in parentheses.

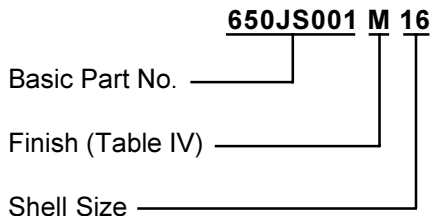
TABLE III (Continued)

Shell Size	Shell Size Code	E	F Max	G Dia ± .007 (0.2)	H Dia
09	A	.719 (18.3)	.949 (24.1)	.128 (3.3)	.492 (12.5)
11	B	.812 (20.6)	1.043 (26.5)	.128 (3.3)	.620 (15.7)
13	C	.906 (23.0)	1.138 (28.9)	.128 (3.3)	.769 (19.5)
15	D	.969 (24.6)	1.232 (31.3)	.128 (3.3)	.894 (22.7)
17	E	1.062 (27.0)	1.322 (33.6)	.128 (3.3)	1.019 (25.9)
19	F	1.156 (29.4)	1.448 (36.8)	.128 (3.3)	1.124 (28.5)
21	G	1.250 (31.8)	1.574 (40.0)	.128 (3.3)	1.249 (31.7)
23	H	1.375 (34.9)	1.700 (43.2)	.154 (3.9)	1.374 (34.9)
25	J	1.500 (38.1)	1.822 (46.3)	.154 (3.9)	1.499 (38.1)

Series 65 Dummy Stowage Receptacles



MIL-C-81511 Series I & III



MIL-C-81511 Series II & IV

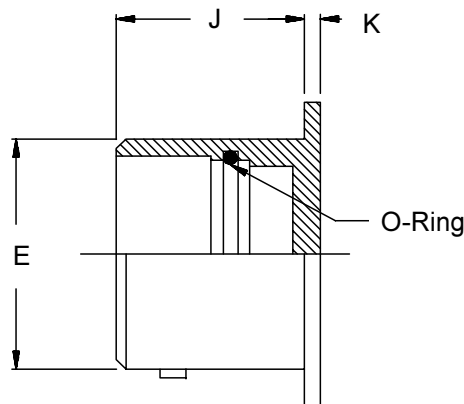
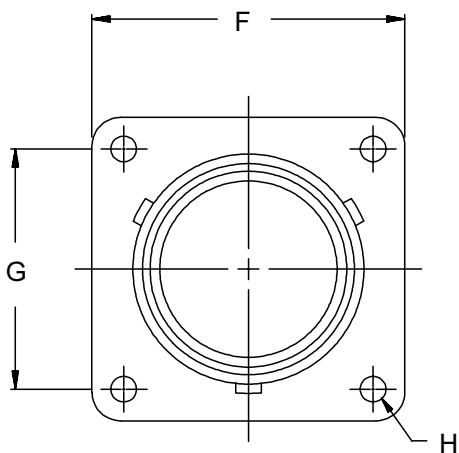
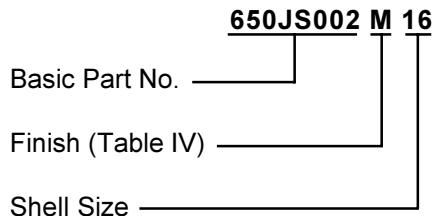


TABLE III

Shell Size	E Dia	F Max	G	H Max	J	K
08	.553 (14.0)	.820 (20.8)	.599 (15.2)	.126 (3.2)	.645 (16.4)	.070 (1.8)
10	.678 (17.2)	.945 (24.0)	.724 (18.4)	.126 (3.2)	.645 (16.4)	.070 (1.8)
14	.928 (23.6)	1.133 (28.8)	.911 (23.1)	.126 (3.2)	.645 (16.4)	.070 (1.8)
16	1.054 (26.8)	1.258 (32.0)	.974 (24.7)	.126 (3.2)	.645 (16.4)	.070 (1.8)
18	1.178 (29.9)	1.351 (34.3)	1.067 (27.1)	.126 (3.2)	.645 (16.4)	.070 (1.8)
20	1.303 (33.1)	1.475 (37.5)	1.161 (29.5)	.126 (3.2)	.645 (16.4)	.070 (1.8)
22	1.428 (36.3)	1.570 (39.9)	1.255 (31.9)	.126 (3.2)	.645 (16.4)	.070 (1.8)
24	1.553 (39.4)	1.711 (43.5)	1.380 (35.1)	.153 (3.9)	.645 (16.4)	.070 (1.8)

TABLE IV

Glenair Symbol	Military Ref.	Finish
N	1	Cadmium Olive Drab over Nickel
M	2	Electroless nickel

1. For complete dimensions see Military Standard MIL-C-81511/19 and /30.
2. Metric dimensions (mm) are indicated in parentheses.

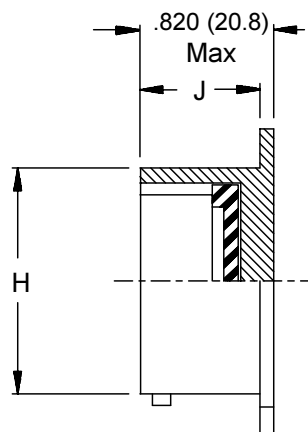
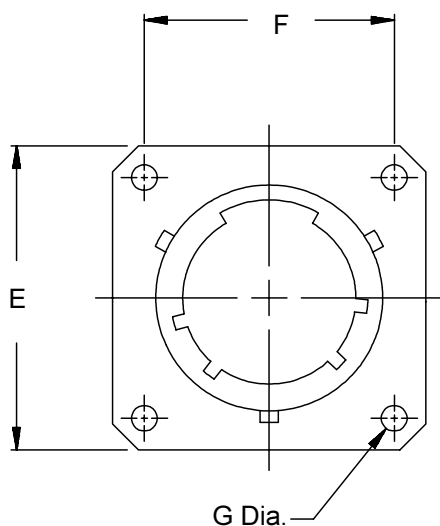
S J T

650LS001 M 16

Basic Part No. _____

Finish (Table II) _____

Shell Size _____



See inside back cover fold-out or page 14 for Table II.

Shell Size	E	F	G	H	J Dim
08	.812 (20.6)	.594 (15.1)	.120 (3.0)	.473 (12.0)	.670 (17.0)
10	.938 (23.8)	.719 (18.3)	.120 (3.0)	.590 (15.0)	.670 (17.0)
12	1.031 (26.2)	.812 (20.6)	.120 (3.0)	.750 (19.1)	.670 (17.0)
14	1.125 (28.6)	.906 (23.0)	.120 (3.0)	.875 (22.2)	.670 (17.0)
16	1.219 (31.0)	.969 (24.6)	.120 (3.0)	1.000 (25.4)	.670 (17.0)
18	1.312 (33.3)	1.062 (27.0)	.120 (3.0)	1.125 (28.6)	.670 (17.0)
20	1.438 (36.5)	1.156 (29.4)	.120 (3.0)	1.250 (31.8)	.640 (16.3)
22	1.562 (39.7)	1.250 (31.8)	.120 (3.0)	1.375 (34.9)	.640 (16.3)
24	1.686 (42.8)	1.375 (34.9)	.147 (3.7)	1.500 (38.1)	.640 (16.3)

Metric dimensions (mm) are indicated in parentheses.