

410-003-06

Basic Part No. _____ Dash No. (Table III)

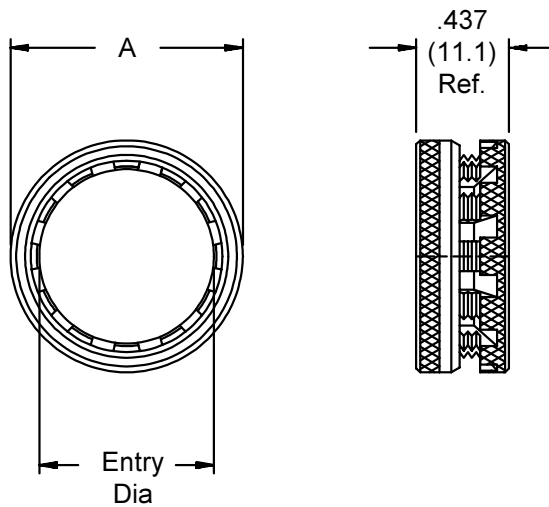


TABLE III

Dash No.	A Dia	Entry Dia.	No. of Slots	Weight in Grams
02	.545 (13.8)	.250 (6.4)	3	2.268
03	.670 (17.0)	.375 (9.5)	4	2.722
04	.795 (20.2)	.500 (12.7)	6	3.175
05	.920 (23.4)	.625 (15.9)	8	4.082
06	1.045 (26.5)	.750 (19.1)	10	4.536
07	1.170 (29.7)	.875 (22.2)	10	4.990
08	1.295 (32.9)	1.000 (25.4)	12	5.443
09	1.420 (36.1)	1.125 (28.6)	15	6.350
10	1.687 (42.8)	1.250 (31.8)	15	10.433
11	1.812 (46.0)	1.375 (34.9)	15	14.515

1. Finish: Body and Nut - Gold Iridite; Spring - Gold Plate.
2. Metric dimensions (mm) are indicated in parentheses.