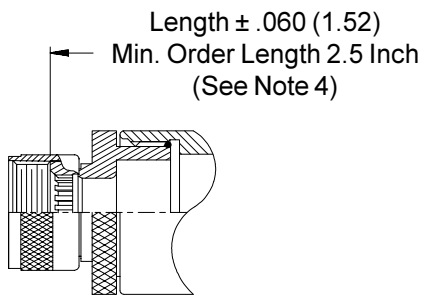
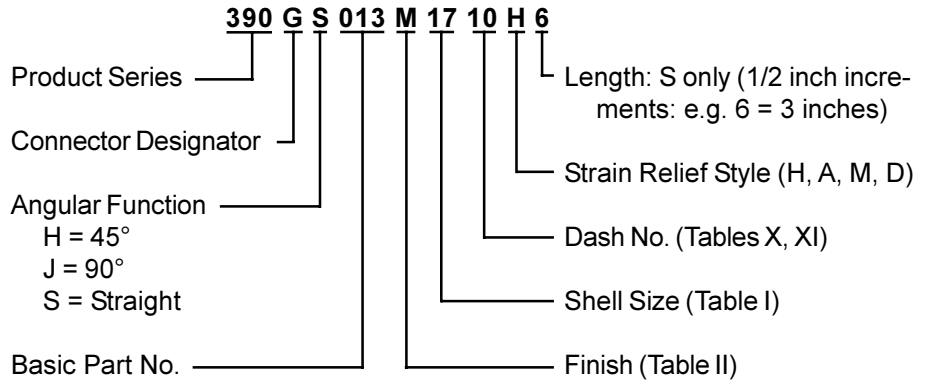


CONNECTOR DESIGNATOR

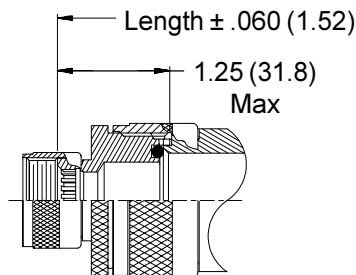


ROTATABLE COUPLING

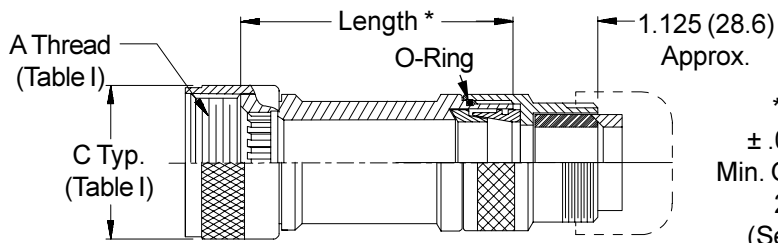
TYPE A OVERALL SHIELD TERMINATION



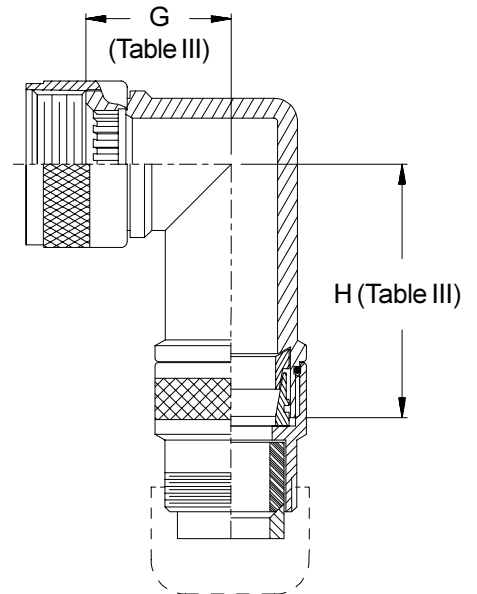
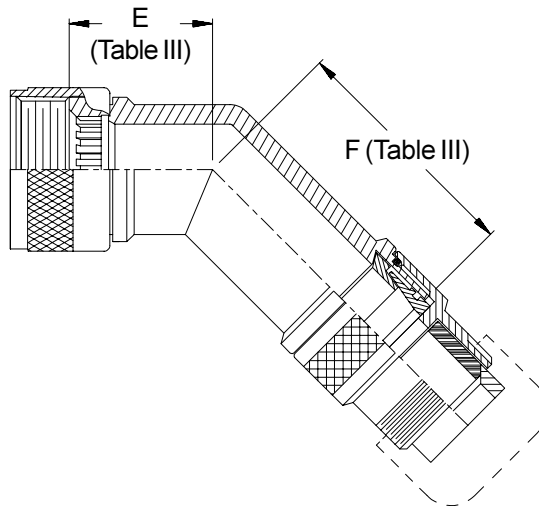
**STYLE 2
(STRAIGHT)**
See Note 1)



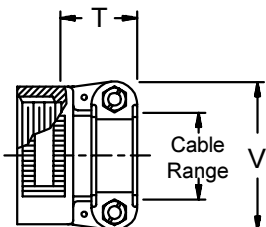
**STYLE 2
(45° & 90°)**
See Note 1)



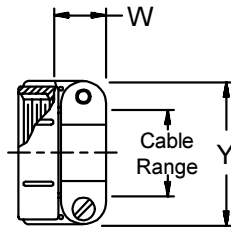
* Length
± .060 (1.52)
Min. Order Length
2.0 Inch
(See Note 4)



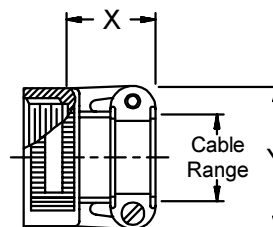
**STYLE H
Heavy Duty**
(Table X)



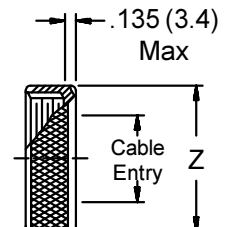
**STYLE A
Medium Duty**
(Table XI)



**STYLE M
Medium Duty**
(Table XI)



**STYLE D
Medium Duty**
(Table XI)

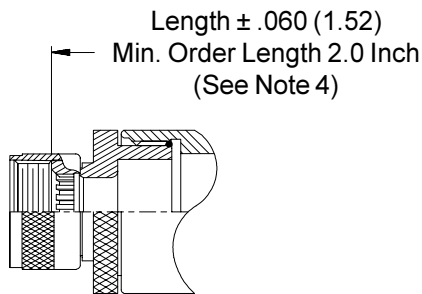
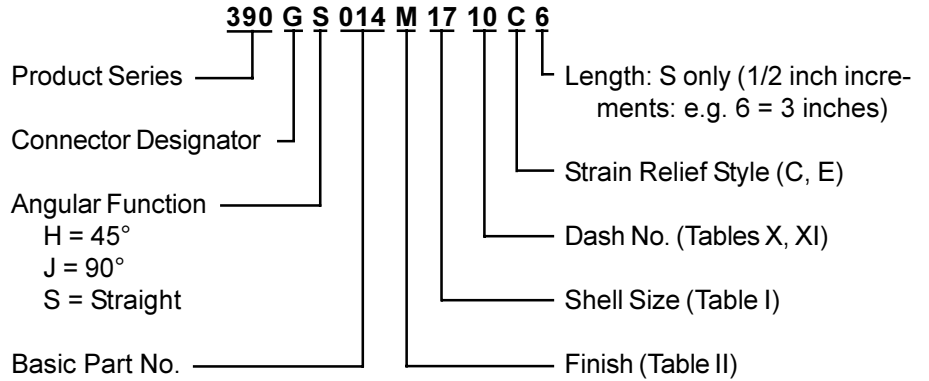


**CONNECTOR
DESIGNATOR**

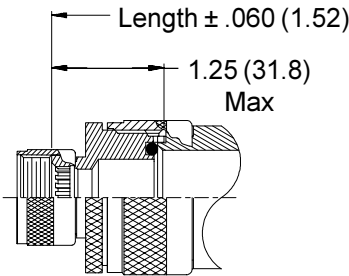
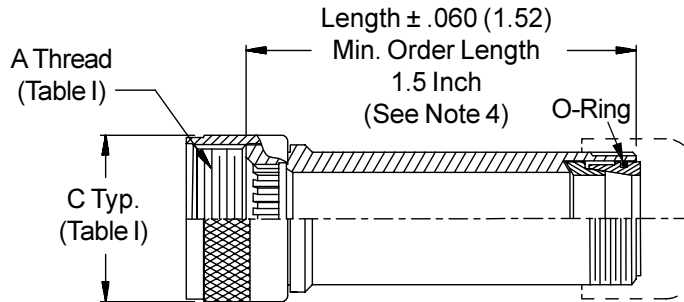
G

**ROTATABLE
COUPLING**

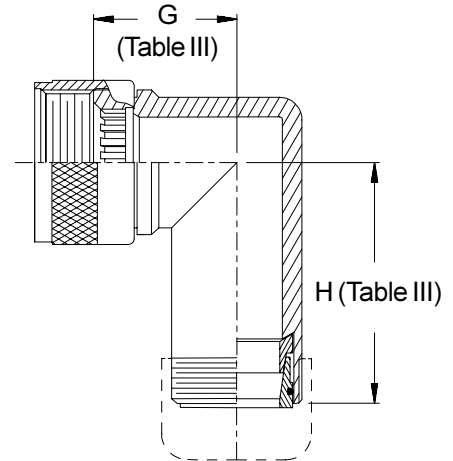
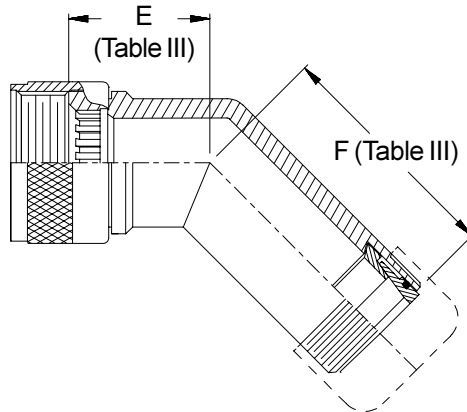
**TYPE A OVERALL
SHIELD TERMINATION**



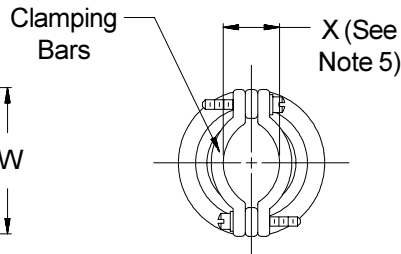
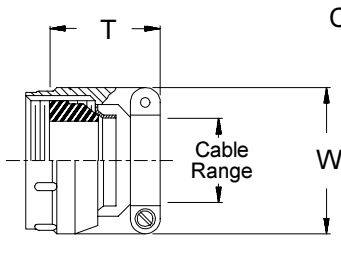
**STYLE 2
(STRAIGHT
See Note 1)**



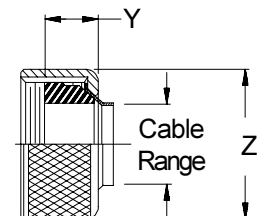
**STYLE 2
(45° & 90°
See Note 1)**



**STYLE C
Medium Duty
(Table X)**



**STYLE E
Medium Duty
(Table XI)**



Series 39 EMI/RFI Cable Sealing Backshells



See inside back cover
fold-out or pages 13 and
14 for Tables I and II.

Shell Size	E Max	F Max	G Max	H Max
11	1.240 (31.5)	1.050 (26.7)	1.380 (35.1)	1.190 (30.2)
13	1.260 (32.0)	1.070 (27.2)	1.440 (36.6)	1.250 (31.8)
15	1.290 (32.8)	1.100 (27.9)	1.500 (38.1)	1.320 (33.5)
17	1.310 (33.3)	1.120 (28.4)	1.570 (39.9)	1.380 (35.1)
19	1.340 (34.0)	1.150 (29.2)	1.630 (41.4)	1.460 (37.1)
23	1.380 (35.1)	1.190 (30.2)	1.730 (43.9)	1.540 (39.1)
25	1.410 (35.8)	1.220 (31.0)	1.800 (45.7)	1.610 (40.9)
29	1.580 (40.1)	1.390 (35.3)	2.040 (51.8)	1.850 (47.0)
33	1.620 (41.1)	1.430 (36.3)	2.130 (54.1)	1.940 (49.3)

Dash No.	T Max	W Max	X Ref	Cable Range	
				Min	Max
03	1.219 (31.0)	.812 (20.6)	.135 (3.4)	.156 (4.0)	.219 (5.6)
04	1.219 (31.0)	.937 (23.8)	.203 (5.2)	.188 (4.8)	.312 (7.9)
06	1.219 (31.0)	1.062 (27.0)	.285 (7.2)	.281 (7.1)	.438 (11.1)
08	1.219 (31.0)	1.188 (30.2)	.350 (8.9)	.312 (7.9)	.531 (13.5)
10	1.281 (32.5)	1.312 (33.3)	.390 (9.9)	.375 (9.5)	.625 (15.9)
12	1.281 (32.5)	1.562 (39.7)	.460 (11.7)	.500 (12.7)	.750 (19.1)
16	1.406 (35.7)	1.750 (44.5)	.510 (13.0)	.625 (15.9)	.938 (23.8)
20	1.656 (42.1)	2.250 (57.2)	.695 (17.7)	.938 (23.8)	1.250 (31.8)
24	1.906 (48.4)	2.375 (60.3)	.715 (18.2)	1.000 (25.4)	1.375 (34.9)
28	1.906 (48.4)	2.625 (66.7)	.915 (23.2)	1.250 (31.8)	1.625 (41.3)
32	2.000 (50.8)	2.812 (71.4)	1.070 (27.2)	1.500 (38.1)	1.875 (47.6)

Dash No.	Y Max	Z Max	Cable Range	
			Min	Max
03	.739 (18.8)	.812 (20.6)	.156 (4.0)	.219 (5.6)
04	.739 (18.8)	.937 (23.8)	.188 (4.8)	.312 (7.9)
06	.739 (18.8)	1.062 (27.0)	.281 (7.1)	.438 (11.1)
08	.739 (18.8)	1.188 (30.2)	.312 (7.9)	.531 (13.5)
10	.791 (20.1)	1.312 (33.3)	.375 (9.5)	.625 (15.9)
12	.880 (22.4)	1.562 (39.7)	.500 (12.7)	.750 (19.1)
16	.901 (22.9)	1.750 (44.5)	.625 (15.9)	.938 (23.8)
20	1.031 (26.2)	2.250 (57.2)	.938 (23.8)	1.250 (31.8)
24	1.250 (31.8)	2.375 (60.3)	1.000 (25.4)	1.375 (34.9)
28	1.250 (31.8)	2.625 (66.7)	1.250 (31.8)	1.625 (41.3)
32	1.312 (33.3)	2.812 (71.4)	1.500 (38.1)	1.875 (47.6)

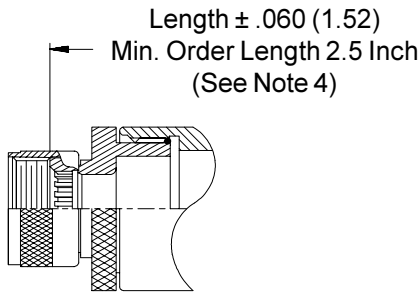
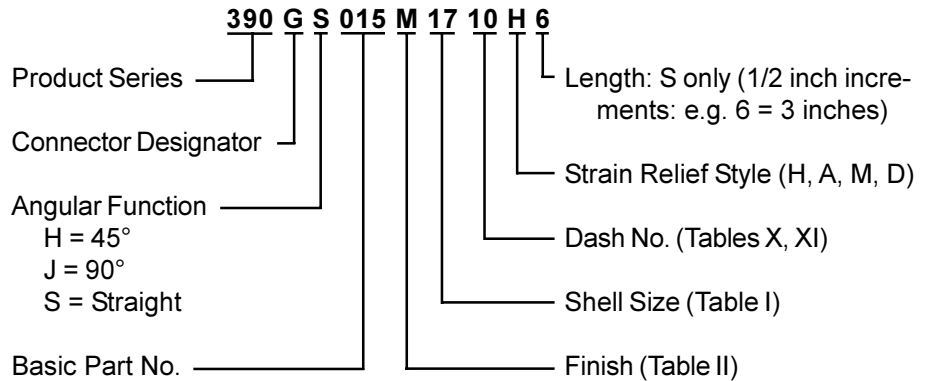
1. When maximum cable entry (page 21) is exceeded, Style 2 will be supplied. Dimensions E, F, G and H will not apply. Please consult factory.
2. Metric dimensions (mm) are indicated in parentheses.
3. Cable range is defined as the accommodations range for the wire bundle or cable. Dimensions shown are not intended for inspection criteria.
4. Consult factory for shorter lengths on straight backshells.
5. Saddles are bottomed on clamp ears.

**CONNECTOR
DESIGNATOR**

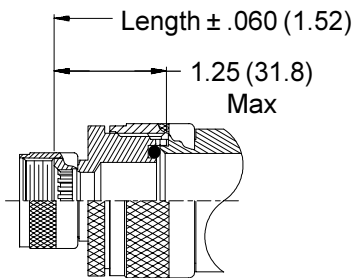
G

**ROTATABLE
COUPLING**

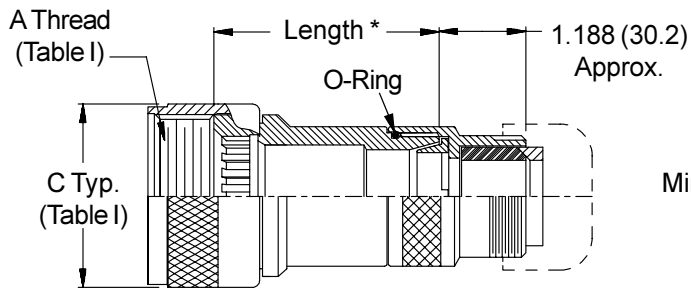
**TYPE B INDIVIDUAL
AND/OR OVERALL
SHIELD TERMINATION**



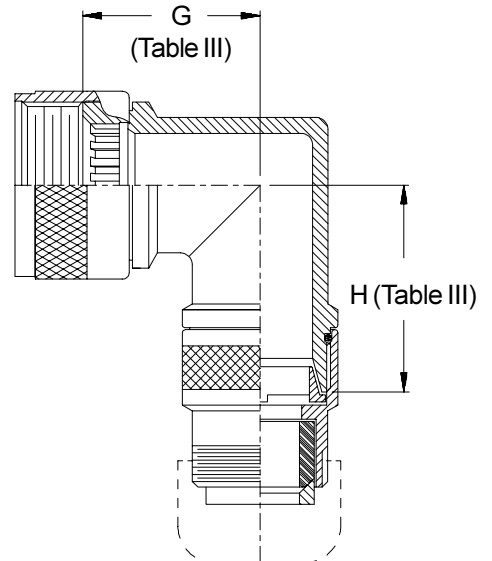
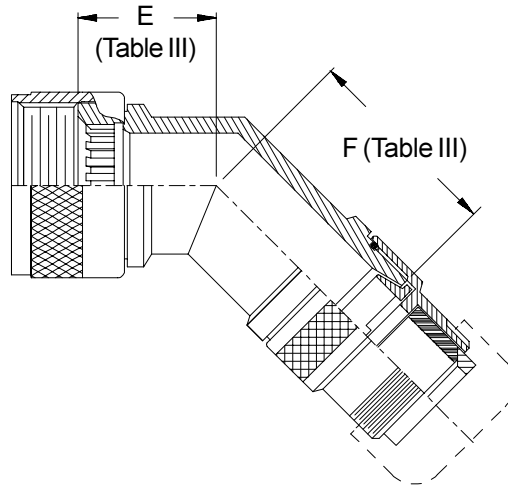
**STYLE 2
(STRAIGHT
See Note 1)**



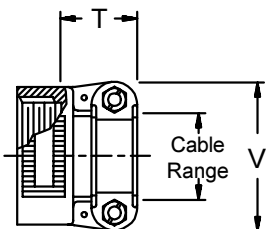
**STYLE 2
(45° & 90°
See Note 1)**



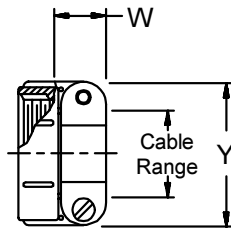
* Length
± .060 (1.52)
Min. Order Length
2.0 Inch
(See Note 4)



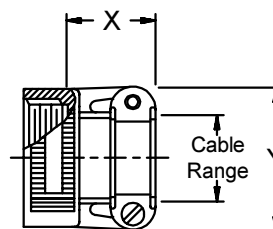
**STYLE H
Heavy Duty
(Table X)**



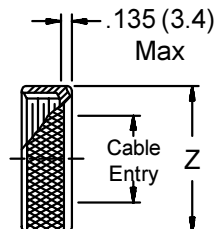
**STYLE A
Medium Duty
(Table XI)**



**STYLE M
Medium Duty
(Table XI)**



**STYLE D
Medium Duty
(Table XI)**



Series 39 EMI/RFI Cable Sealing Backshells



TABLE III

Shell Size	E Max	F Max	G Max	H Max
11	1.240 (31.5)	.872 (22.1)	1.380 (35.1)	1.012 (25.7)
13	1.260 (32.0)	.892 (22.7)	1.440 (36.6)	1.072 (27.2)
15	1.290 (32.8)	1.172 (29.8)	1.500 (38.1)	1.392 (35.4)
17	1.310 (33.3)	1.192 (30.3)	1.570 (39.9)	1.452 (36.9)
19	1.340 (34.0)	1.312 (33.3)	1.630 (41.4)	1.622 (41.2)
23	1.380 (35.1)	1.352 (34.3)	1.730 (43.9)	1.702 (43.2)
25	1.410 (35.8)	1.382 (35.1)	1.800 (45.7)	1.772 (45.0)
29	1.580 (40.1)	1.612 (40.9)	2.040 (51.8)	2.072 (52.6)
33	1.620 (41.1)	1.632 (41.5)	2.130 (54.1)	2.142 (54.4)

See inside back cover fold-out or pages 13 and 14 for Tables I and II.

TABLE X

Dash No.	T Max	V Max	Cable Range			
			Min		Max	
04	.780 (19.8)	.957 (24.3)	.125 (3.2)	.312 (7.9)		
06	.780 (19.8)	1.145 (29.1)	.250 (6.4)	.437 (11.1)		
08	.780 (19.8)	1.332 (33.8)	.387 (9.8)	.562 (14.3)		
10	.780 (19.8)	1.332 (33.8)	.350 (8.9)	.625 (15.9)		
12	.811 (20.6)	1.551 (39.4)	.500 (12.7)	.750 (19.1)		
16	.905 (23.0)	1.770 (45.0)	.625 (15.9)	.937 (23.8)		
20	1.092 (27.7)	2.113 (53.7)	.875 (22.2)	1.250 (31.8)		
24	1.124 (28.5)	2.363 (60.0)	1.000 (25.4)	1.375 (34.9)		
28	1.399 (35.5)	2.770 (70.4)	1.250 (31.8)	1.625 (41.3)		
32	1.399 (35.5)	3.020 (76.7)	1.437 (36.5)	1.875 (47.6)		

1. When maximum cable entry (page 21) is exceeded, Style 2 will be supplied. Dimensions E, F, G and H will not apply. Please consult factory.
2. Metric dimensions (mm) are indicated in parentheses.
3. Cable range is defined as the accommodations range for the wire bundle or cable. Dimensions shown are not intended for inspection criteria.
4. Consult factory for shorter lengths on straight backshells.

TABLE XI

Dash No.	W Max	X Max	Y Max	Z Max	Cable Range			
					Min **		Max	
03*	.437 (11.1)	.760 (19.3)	.843 (21.4)	.630 (16.0)	.156 (4.0)	.250 (6.4)		
04*	.437 (11.1)	.760 (19.3)	.906 (23.0)	.755 (19.2)	.188 (4.8)	.312 (7.9)		
06*	.500 (12.7)	.760 (19.3)	1.093 (27.8)	.942 (23.9)	.281 (7.1)	.438 (11.1)		
08	.563 (14.3)	.760 (19.3)	1.187 (30.1)	1.067 (27.1)	.387 (9.8)	.562 (14.3)		
10	.563 (14.3)	.760 (19.3)	1.281 (32.5)	1.192 (30.3)	.375 (9.5)	.625 (15.9)		
12	.563 (14.3)	.760 (19.3)	1.500 (38.1)	1.380 (35.1)	.438 (11.1)	.750 (19.1)		
16	.656 (16.7)	1.073 (27.3)	1.719 (43.7)	1.535 (39.0)	.625 (15.9)	.938 (23.8)		
20	.656 (16.7)	1.323 (33.6)	2.062 (52.4)	1.848 (46.9)	.875 (22.2)	1.250 (31.8)		
24	.656 (16.7)	1.323 (33.6)	2.312 (58.7)	2.255 (57.3)	1.000 (25.4)	1.375 (34.9)		
28	1.188 (30.2)	1.572 (39.9)	2.719 (69.1)	2.505 (63.6)	1.250 (31.8)	1.625 (41.3)		
32*	1.187 (30.1)	1.572 (39.9)	2.969 (75.4)	2.755 (70.0)	1.437 (36.5)	1.875 (47.6)		
40*	1.125 (28.6)	1.572 (39.9)	3.531 (89.7)	3.255 (82.7)	1.875 (47.6)	2.375 (60.3)		

* Not available in Style M clamp.

** Not Applicable Style D