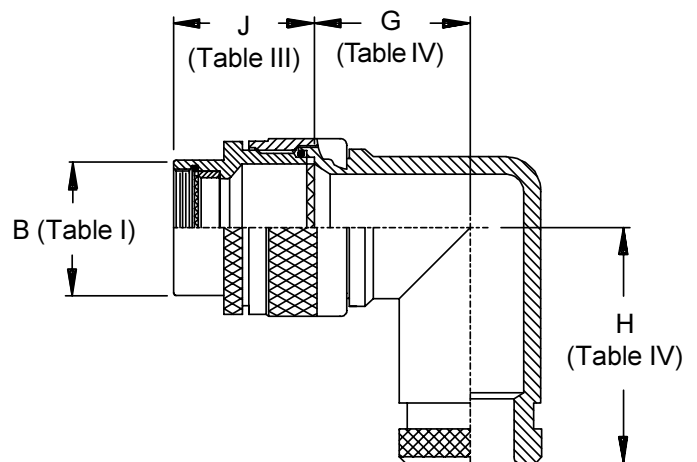
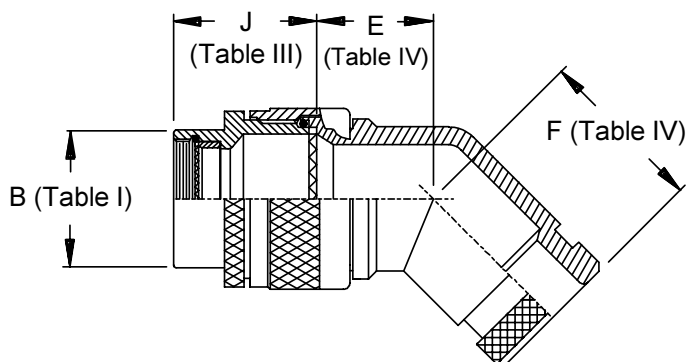
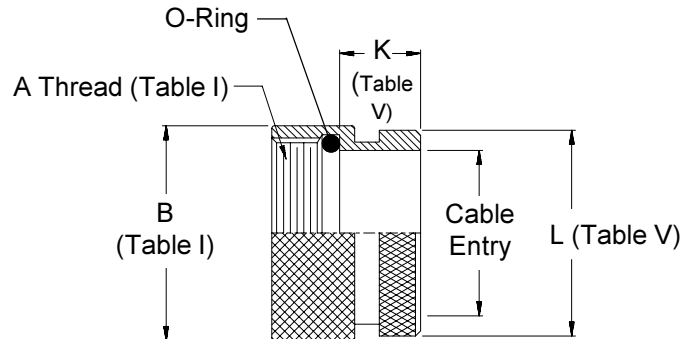
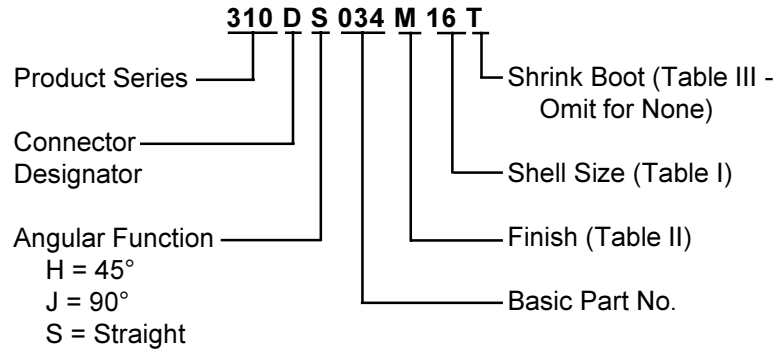


CONNECTOR DESIGNATORS

A-B*-C-D-E-F
G-H-J-K-L-S

* Conn. Desig. B See Note 4

**DIRECT
COUPLING**



Series 310 Shrink Boot Adapter



310

See inside back cover fold-out or pages 13 and 14 for Tables I and II.

| Shell Size | J Max - Conn. Designator | | |
|------------|--------------------------|-------------|-------------|
| | A-D-E-F | | C |
| | H-J-L-S | B-G-K | |
| 08/09 | 1.000(25.4) | 1.000(25.4) | |
| 10/11 | 1.000(25.4) | 1.000(25.4) | |
| 12/13 | 1.000(25.4) | 1.000(25.4) | 1.735(44.1) |
| 14/15 | 1.000(25.4) | 1.000(25.4) | 1.915(48.6) |
| 16/17 | 1.000(25.4) | 1.166(29.6) | 1.915(48.6) |
| 18/19 | 1.000(25.4) | 1.166(29.6) | 1.915(48.6) |
| 20/21 | 1.000(25.4) | 1.166(29.6) | 1.915(48.6) |
| 22/23 | 1.000(25.4) | 1.166(29.6) | 1.915(48.6) |
| 24/25 | 1.000(25.4) | 1.166(29.6) | 1.915(48.6) |
| 28 | 1.000(25.4) | 1.166(29.6) | 1.915(48.6) |
| 32 | 1.000(25.4) | 1.166(29.6) | 1.915(48.6) |
| 36 | 1.000(25.4) | 1.166(29.6) | 1.915(48.6) |
| 40 | 1.000(25.4) | 1.437(36.5) | 1.915(48.6) |

| Shell Size | E Max | F Max | G Max | H Max |
|------------|--------------|--------------|--------------|--------------|
| 08/09 | .639 (16.2) | .810 (20.6) | .750 (19.1) | .920 (23.4) |
| 10/11 | .664 (16.9) | .840 (21.3) | .810 (20.6) | .980 (24.9) |
| 12/13 | .688 (17.5) | .860 (21.8) | .870 (22.1) | 1.040 (26.4) |
| 14/15 | .705 (17.9) | .890 (22.6) | .920 (23.4) | 1.110 (28.2) |
| 16/17 | .732 (18.6) | .910 (23.1) | .980 (24.9) | 1.170 (29.7) |
| 18/19 | .748 (19.0) | .920 (23.4) | 1.020 (25.9) | 1.190 (30.2) |
| 20/21 | .773 (19.6) | .940 (23.9) | 1.080 (27.4) | 1.250 (31.8) |
| 22/23 | .800 (20.3) | .980 (24.9) | 1.140 (29.0) | 1.330 (33.8) |
| 24/25 | .823 (20.9) | 1.010 (25.7) | 1.200 (30.5) | 1.400 (35.6) |
| 28 | 1.041 (26.4) | 1.180 (30.0) | 1.480 (37.6) | 1.640 (41.7) |
| 32 | 1.092 (27.7) | 1.370 (34.8) | 1.610 (40.9) | 1.880 (47.8) |

| Shell Size | K Max | | L Max | | Cable Entry Min | | Shrink Boot * |
|------------|-------------|--------------|--------------|--------------|-----------------|--|---------------|
| | 08 | .500 (12.7) | .688 (17.5) | .250 (6.4) | 202K121-25-0 | | |
| 10/11 | .500 (12.7) | .803 (20.4) | .355 (9.0) | 202K121-25-0 | | | |
| 12/13 | .500 (12.7) | .938 (23.8) | .491 (12.5) | 202K121-25-0 | | | |
| 14/15 | .500 (12.7) | 1.063 (27.0) | .565 (14.4) | 202K121-25-0 | | | |
| 16/17 | .500 (12.7) | 1.238 (31.4) | .690 (17.5) | 202K132-25-0 | | | |
| 18 | .500 (12.7) | 1.310 (33.3) | .769 (19.5) | 202K142-25-0 | | | |
| 20 | .500 (12.7) | 1.436 (36.5) | .844 (21.4) | 202K142-25-0 | | | |
| 22 | .500 (12.7) | 1.560 (39.6) | 1.019 (25.9) | 202K153-25-0 | | | |
| 24 | .500 (12.7) | 1.686 (42.8) | 1.134 (28.8) | 202K163-25-0 | | | |
| 28 | .687 (17.4) | 2.062 (52.4) | 1.369 (34.8) | 202K174-25-0 | | | |
| 32 | .687 (17.4) | 1.312 (33.3) | 1.615 (41.0) | 202K174-25-0 | | | |
| 36 | .687 (17.4) | 2.562 (65.1) | 1.830 (46.5) | 202K185-25-0 | | | |
| 40 | .687 (17.4) | 2.812 (71.4) | 2.045 (51.9) | 202K185-25-0 | | | |

* Raychem Shrink Boot (Page 41) Supplied with "T" Option (see Part Number Development)

1. Cable Entry is defined as the accommodation range for the wire bundle or cable. Dimensions shown are not intended for inspection criteria.
2. See Shrink Boot Reference Information (pages 40 and 41).
3. Metric dimensions (mm) are indicated in parentheses.
4. When using Connector Designator B refer to pages 18 and 19 for part number development.

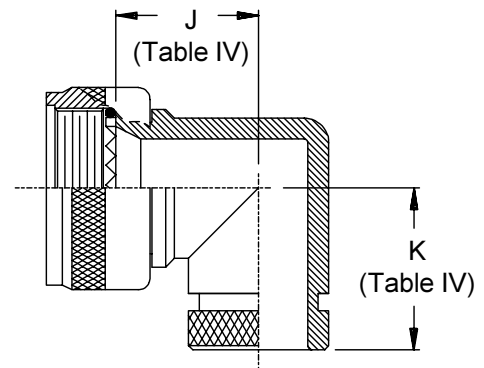
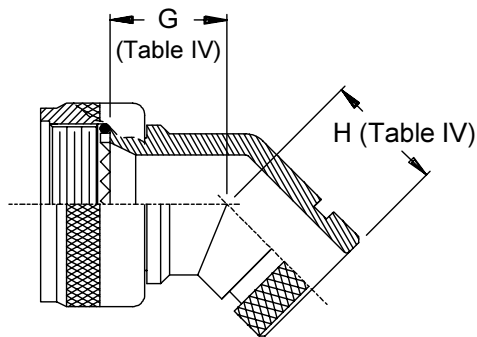
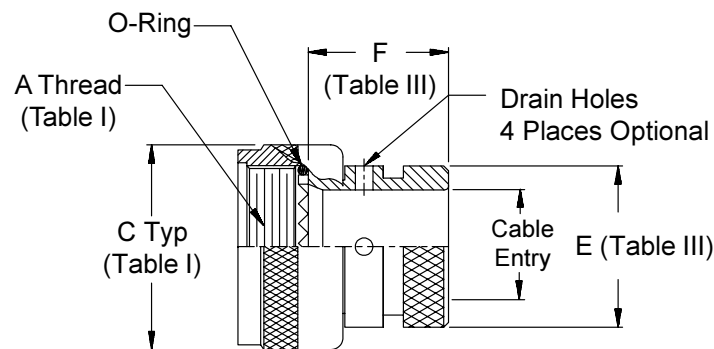
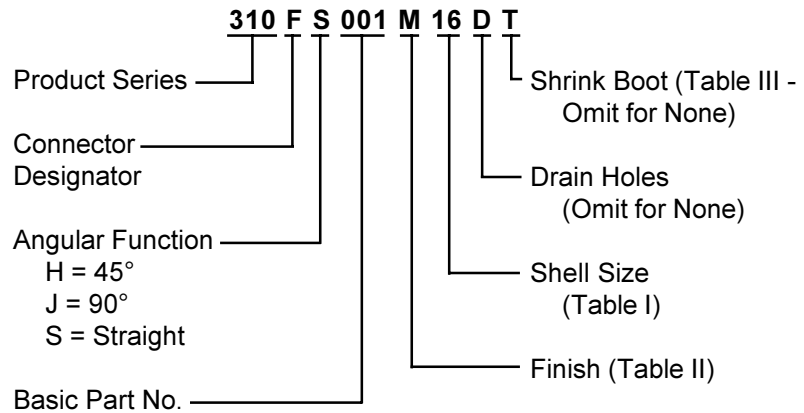
CONNECTOR DESIGNATORS

A-F-G*

H-J*-L-S

* Conn. Desig. G & J -
Consult Factory For
45° and 90°

ROTATABLE COUPLING



Series 310 Shrink Boot Adapter



310

See inside back cover fold-out or pages 13 and 14 for Tables I and II.

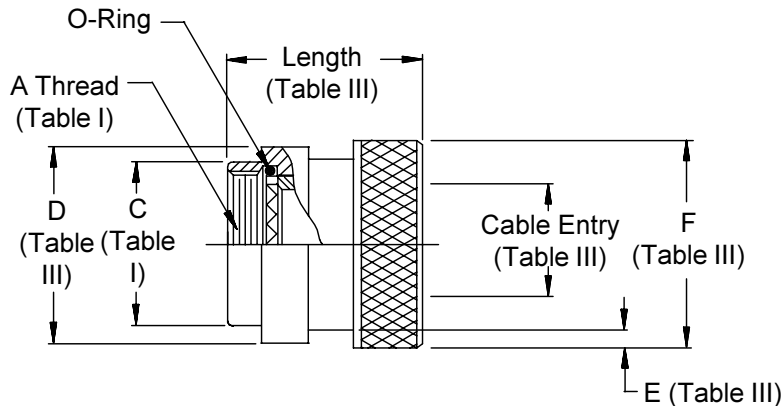
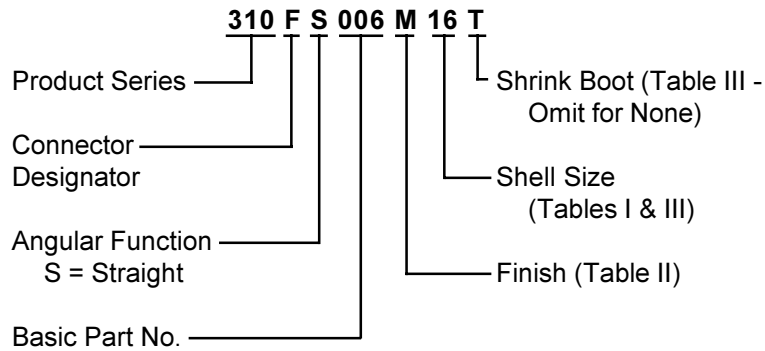
| Shell Size - Conn. Desig. | | Cable Entry | | | | Shrink Boot * |
|---------------------------|-----|--------------|--------------|--------------|--------------|---------------|
| A-F-J-L-S | G-H | E Max | F Max | Min. | | |
| 08 | 09 | .533 (13.5) | .940 (23.9) | .250 (6.4) | n/a | |
| 10 | 11 | .605 (15.4) | .940 (23.9) | .355 (9.0) | n/a | |
| 12 | 13 | .774 (19.7) | .940 (23.9) | .491 (12.5) | n/a | |
| 14 | 15 | .838 (21.3) | .940 (23.9) | .565 (14.4) | 202K121-25-0 | |
| 16 | 17 | .963 (24.5) | .940 (23.9) | .690 (17.5) | 202K132-25-0 | |
| 18 | 19 | 1.042 (26.5) | .940 (23.9) | .769 (19.5) | 202K142-25-0 | |
| 20 | 21 | 1.217 (30.9) | .940 (23.9) | .894 (22.7) | 202K142-25-0 | |
| 22 | 23 | 1.355 (34.4) | .940 (23.9) | 1.019 (25.9) | 202K153-25-0 | |
| 24 | 25 | 1.443 (36.7) | .940 (23.9) | 1.134 (28.8) | 202K163-25-0 | |
| 28 | 29 | 1.709 (43.4) | .940 (23.9) | 1.369 (34.8) | 202K174-25-0 | |
| 32 | 33 | 1.919 (48.7) | 1.005 (25.5) | 1.615 (41.0) | 202K174-25-0 | |

* Raychem Shrink Boot (Page 41) Supplied with "T" Option
(see Part Number Development)

| Shell Size - Conn. Desig. | | G | H | J | K |
|---------------------------|----|--------------|--------------|--------------|--------------|
| A-F-L-S | H | Max | Max | Max | Max |
| 08 | 09 | .639 (16.2) | .810 (20.6) | .750 (19.1) | .920 (23.4) |
| 10 | 11 | .664 (16.9) | .840 (21.3) | .810 (20.6) | .980 (24.9) |
| 12 | 13 | .688 (17.5) | .860 (21.8) | .870 (22.1) | 1.040 (26.4) |
| 14 | 15 | .705 (17.9) | .890 (22.6) | .920 (23.4) | 1.110 (28.2) |
| 16 | 17 | .732 (18.6) | .910 (23.1) | .980 (24.9) | 1.170 (29.7) |
| 18 | 19 | .748 (19.0) | .920 (23.4) | 1.020 (25.9) | 1.190 (30.2) |
| 20 | 21 | .773 (19.6) | .940 (23.9) | 1.080 (27.4) | 1.250 (31.8) |
| 22 | 23 | .800 (20.3) | .980 (24.9) | 1.140 (29.0) | 1.330 (33.8) |
| 24 | 25 | .823 (20.9) | 1.010 (25.7) | 1.200 (30.5) | 1.400 (35.6) |
| 28 | 29 | 1.041 (26.4) | 1.180 (30.0) | 1.480 (37.6) | 1.640 (41.7) |
| 32 | 33 | 1.092 (27.7) | 1.370 (34.8) | 1.610 (40.9) | 1.880 (47.8) |

1. See Shrink Boot Reference Information (pages 40 and 41).
2. Metric dimensions (mm) are indicated in parentheses.
3. O-Rings not supplied with drain hole option.
4. O-Rings not supplied with Connector Designators A and G.

**CONNECTOR
DESIGNATORS
A-F-H-L-S**
**ROTATABLE
COUPLING**



See inside back cover
fold-out or pages 13 and
14 for Tables I and II.

1. See Shrink Boot Reference Information (pages 40 and 41).
2. Metric dimensions (mm) are indicated in parentheses.
3. Interface O-Ring not supplied with Connector Designator A.

TABLE III

| Shell Size | D Max | Cable Entry Min | E Min | F Max | Shrink Boot * |
|------------|--------------|-----------------|------------|--------------|---------------|
| 08/09 | .657 (16.7) | .250 (6.4) | .044 (1.1) | .688 (17.5) | 202K121-25-0 |
| 10/11 | .774 (19.7) | .355 (9.0) | .044 (1.1) | .803 (20.4) | 202K121-25-0 |
| 12/13 | .818 (20.8) | .491 (12.5) | .044 (1.1) | .938 (23.8) | 202K132-25-0 |
| 14/15 | 1.024 (26.0) | .565 (14.4) | .044 (1.1) | 1.063 (27.0) | 202K132-25-0 |
| 16/17 | 1.152 (29.3) | .690 (17.5) | .069 (1.8) | 1.238 (31.4) | 202K142-25-0 |
| 18/19 | 1.243 (31.6) | .769 (19.5) | .069 (1.8) | 1.310 (33.3) | 202K142-25-0 |
| 20/21 | 1.370 (34.8) | .844 (21.4) | .069 (1.8) | 1.436 (36.5) | 202K153-25-0 |
| 22/23 | 1.443 (36.7) | 1.019 (25.9) | .069 (1.8) | 1.560 (39.6) | 202K163-25-0 |
| 24/25 | 1.618 (41.1) | 1.134 (28.8) | .069 (1.8) | 1.686 (42.8) | 202K163-25-0 |
| 28/29 | 1.969 (50.0) | 1.369 (34.8) | .086 (2.2) | 2.062 (52.4) | 202K185-25-0 |
| 32 | 2.219 (56.4) | 1.615 (41.0) | .086 (2.2) | 1.312 (33.3) | 202K185-25-0 |
| 36 | 2.469 (62.7) | 1.830 (46.5) | .086 (2.2) | 2.562 (65.1) | 202K185-25-0 |
| 40 | 2.719 (69.1) | 2.045 (51.9) | .086 (2.2) | 2.812 (71.4) | n/a |
| 44 | 2.969 (75.4) | 2.300 (58.4) | .086 (2.2) | 3.062 (77.8) | n/a |
| 48 | 3.219 (81.8) | 2.550 (64.8) | .086 (2.2) | 3.312 (84.1) | n/a |

* Raychem Shrink Boot (Page 41) Supplied with "T" Option
(see Part Number Development)

TABLE IV

| Shell Sizes | Length Max - Connector Designator | | | |
|-------------|-----------------------------------|-------------|-------------|-------------|
| | A | F | H | L & S |
| 08-25 | .540 (13.7) | .625 (15.9) | .688 (17.5) | .750 (19.1) |
| 28-48 | .702 (17.8) | --- | --- | --- |